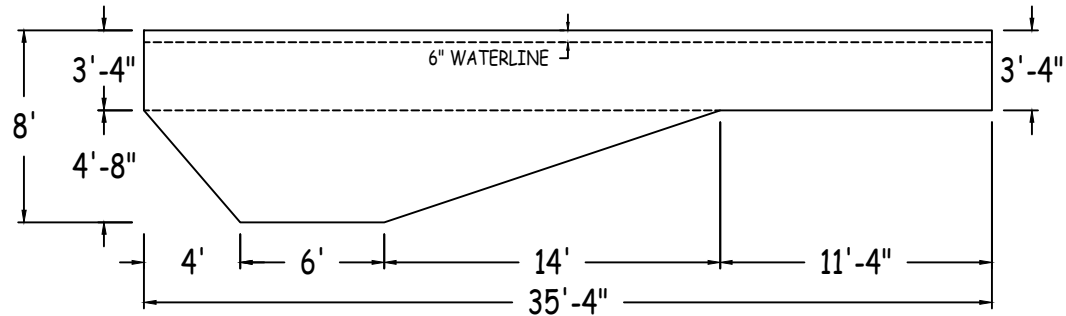
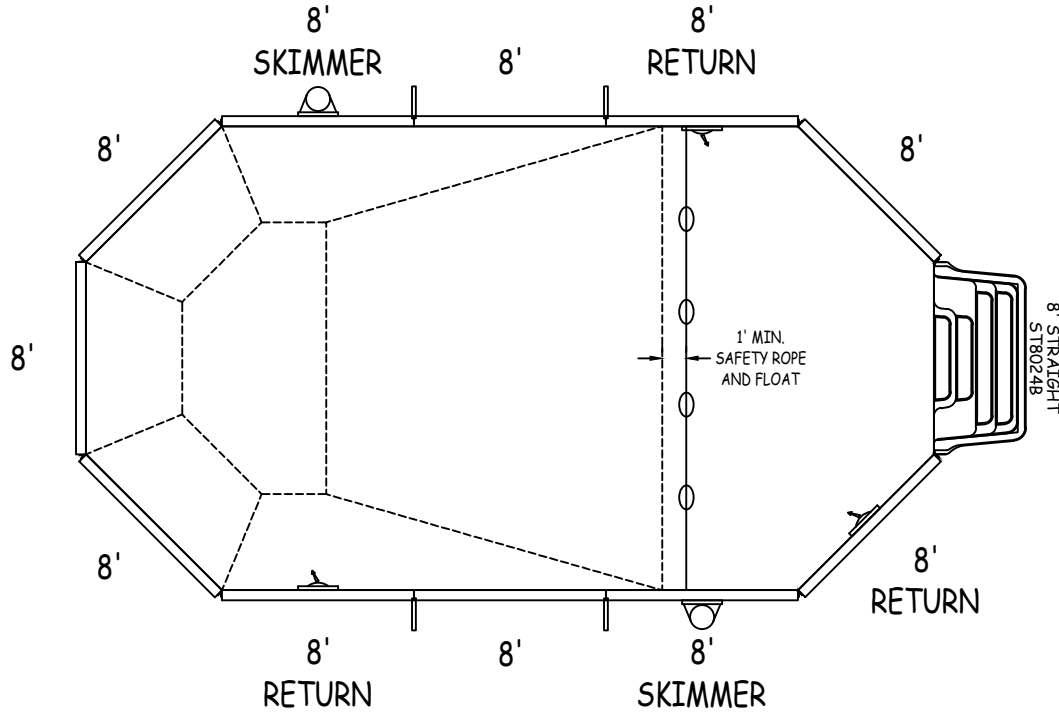
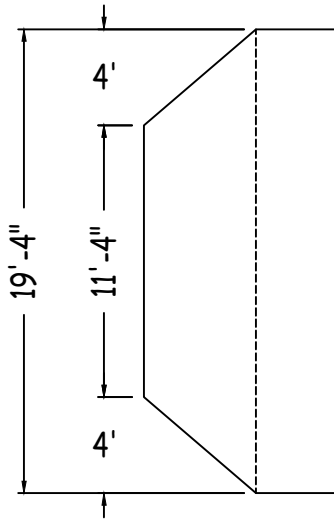


IN ACCORDANCE WITH ANSI/APSP/ICC-5 2011, THE INSTALLER IS RESPONSIBLE FOR PLACING ONE SKIMMER FOR EVERY 800 SQUARE FEET OF SURFACE AREA AND ONE RETURN FOR EVERY 300 SQUARE FEET OF SURFACE AREA.



LATHAM STEEL

GRECIAN 19-4 x 35-4

42" STEEL PANELS

PERIMETER: 96'-0" VOLUME (US Gal): 20300

DWG#: 2024-SPL-08615

SURFACE (ft²): 618 VOLUME (Liters): 76800

KIT#: CUSTOMKIT

LINER (ft²): 683 DATE: 3/6/2024 DSR:

COVER (ft²): 796

SCALE: 1/8" = 1'-0"



DIVING/SLIDING EQUIPMENT SHALL BE DESIGNED FOR SWIMMING POOLS AND SHALL BE INSTALLED IN ACCORDANCE WITH THE DIVING/SLIDING EQUIPMENT MANUFACTURER'S SPECIFICATIONS. PLEASE CONTACT THE DIVING/SLIDING EQUIPMENT MANUFACTURER FOR THEIR SPECIFICATIONS.

CUSTOMER: SCP/OLIVE BRANCH

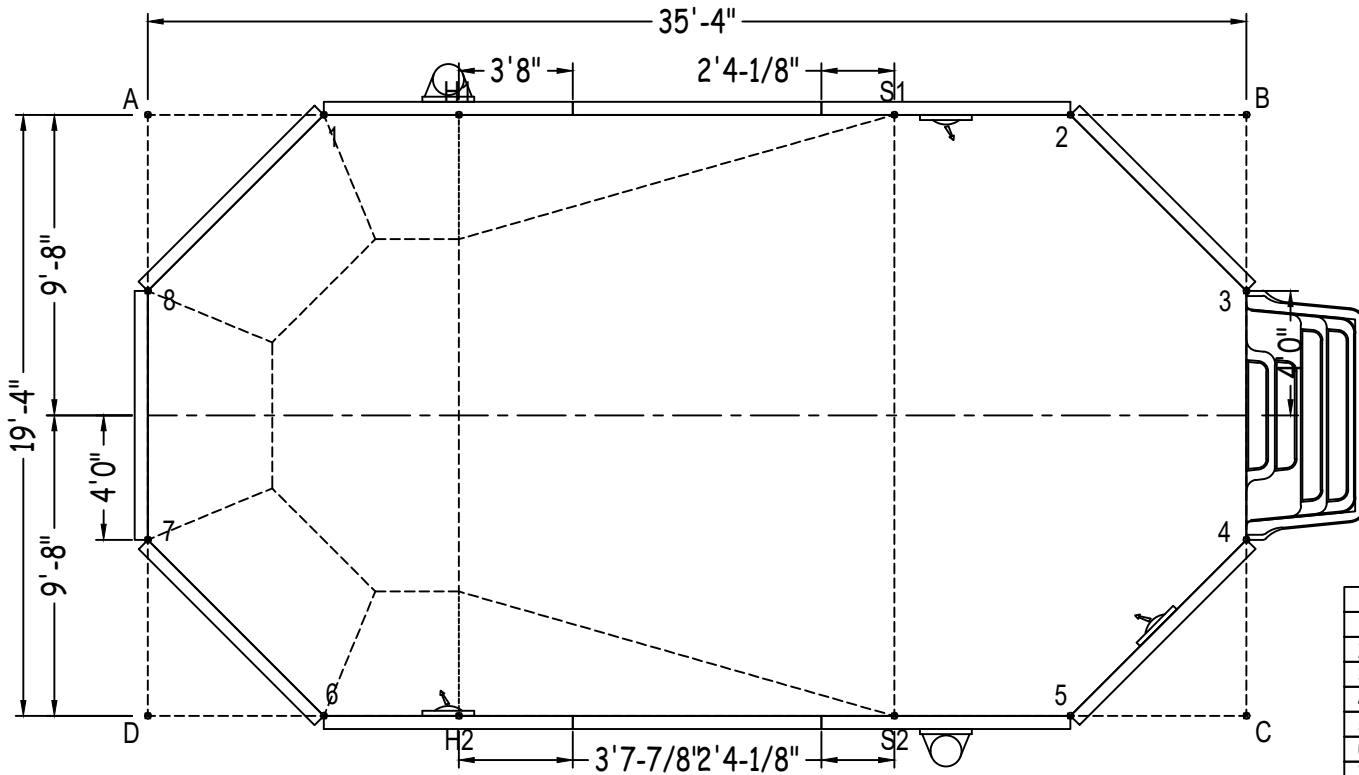
JOB NAME:

ALL ASPECTS OF THIS DRAWING COMPLIES WITH ANSI/APSP/ICC-5 2011 AND 2015 ISPSC



Diagonals	2 to 7	32'-8"	
S1toS2	19'-4"	2 to 8	30'-2 1/4"
H1toH2	19'-4"	3 to 4	8'-0"
S1toH1	14'-0"	3 to 5	14'-9 1/2"
S2toH2	14'-0"	3 to 6	32'-8"
S1toH2	23'-10 1/4"	3 to 7	36'-2 1/2"
H1toS2	23'-10 1/4"	3 to 8	35'-4"
1 to 2	24'-0"	4 to 5	8'-0"
1 to 3	30'-2 1/4"	4 to 6	30'-2 1/4"
1 to 4	32'-8"	4 to 7	35'-4"
1 to 5	30'-9 3/4"	4 to 8	36'-2 1/2"
1 to 6	19'-4"	5 to 6	24'-0"
1 to 7	14'-9 1/2"	5 to 7	30'-2 1/4"
1 to 8	8'-0"	5 to 8	32'-8"
2 to 3	8'-0"	6 to 7	8'-0"
2 to 4	14'-9 1/2"	6 to 8	14'-9 1/2"
2 to 5	19'-4"	7 to 8	8'-0"
2 to 6	30'-9 3/4"		

		Base
Part number	Description	QTY
ST0960002X	8'	6
ST0960002*	8' SKIMMER	2
ST0960002*	8' RETURN	3
Brace	Brace	4
IPC-AB45	CONNECTOR CNR ANGLE 45D 42"	6
IPC-AB45-STP	CONNECTOR CNR ANGLE STEP 45D 42"	2
IPC-STKPK25	REBAR STAKE 18" 25PC	1
IPC-HDWSTR150	BOLT STR 3/8-16X1" C/W NUT 150PC	1
IPC-HDW-PK45	BOLT 45DEG 3/8-16X1-1/2" 72PC	1
ST8024B	THICKSHEET STEP STR SIT N STEP 8'	1



	A	B	C	D
1	5'-8"	29'-8"	35'-4 3/4"	20'-1 1/2"
2	29'-8"	5'-8"	20'-1 1/2"	35'-4 3/4"
3	35'-9 1/4"	5'-8"	13'-8"	37'-10 1/2"
4	37'-10 1/2"	13'-8"	5'-8"	35'-9 1/4"
5	35'-4 3/4"	20'-1 1/2"	5'-8"	29'-8"
6	20'-1 1/2"	35'-4 3/4"	29'-8"	5'-8"
7	13'-8"	37'-10 1/2"	35'-9 1/4"	5'-8"
8	5'-8"	35'-9 1/4"	37'-10 1/2"	13'-8"
S2	30'-9 3/4"	22'-4 3/4"	11'-4"	24'-0"
S1	24'-0"	11'-4"	22'-4 3/4"	30'-9 3/4"
H2	21'-9"	31'-10 1/4"	25'-4"	10'-0"
H1	10'-0"	25'-4"	31'-10 1/4"	21'-9"
A	-	35'-4"	40'-3 1/4"	19'-4"