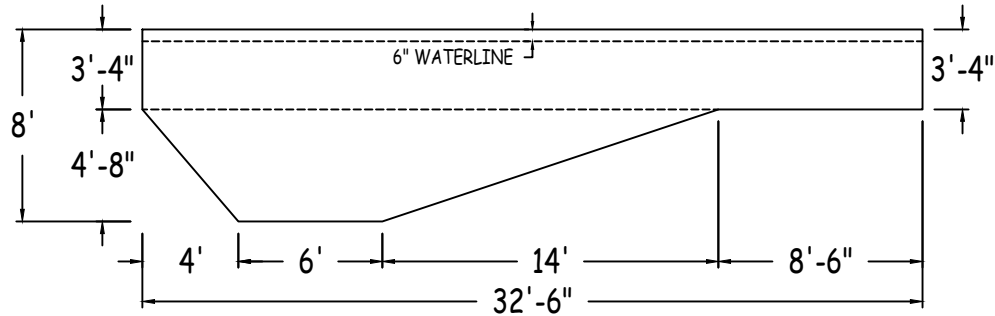
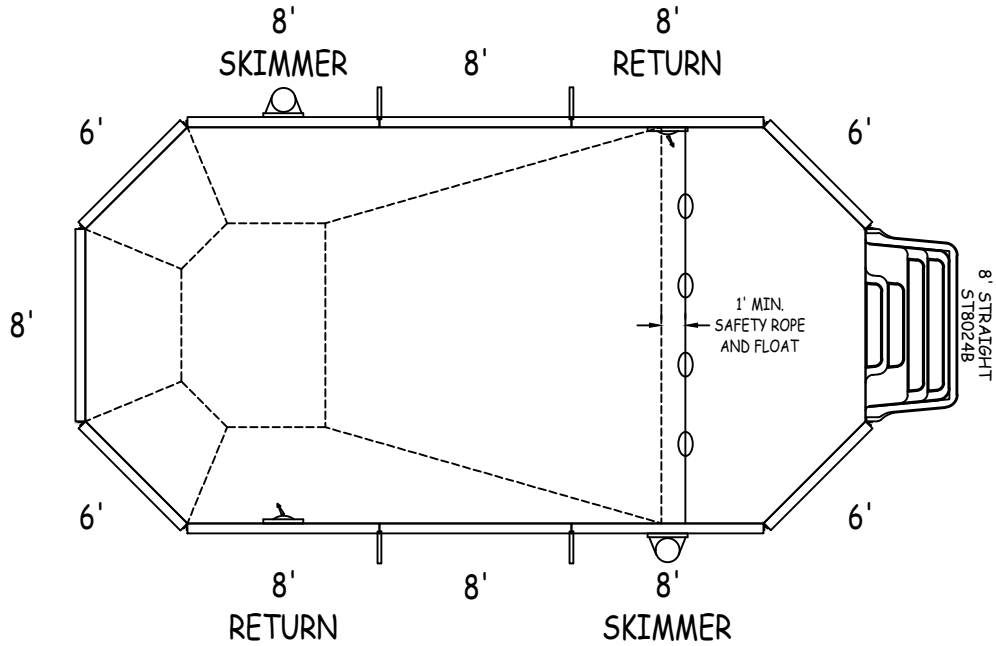
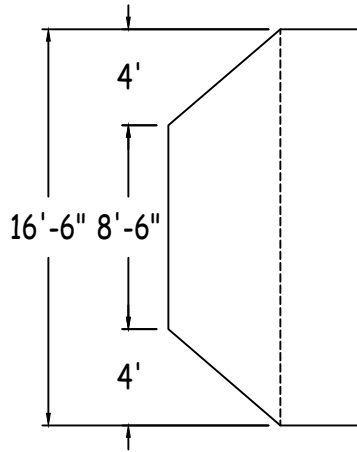


IN ACCORDANCE WITH ANSI/APSP/ICC-5 2011, THE INSTALLER IS RESPONSIBLE FOR PLACING ONE SKIMMER FOR EVERY 800 SQUARE FEET OF SURFACE AREA AND ONE RETURN FOR EVERY 300 SQUARE FEET OF SURFACE AREA.



**LATHAM STEEL**

**GRECIAN 16-6 x 32-6**

42" STEEL PANELS

PERIMETER: 88'-0" VOLUME (US Gal): 16400

DWG#: 2024-SPL-08612

SURFACE (ft²): 500 VOLUME (Liters): 62100

KIT#: CUSTOMKIT

LINER (ft²): 536 DATE: 3/6/2024 DSR:

COVER (ft²): 638

SCALE: 1/8" = 1'-0"



DIVING/SLIDING EQUIPMENT SHALL BE DESIGNED FOR SWIMMING POOLS AND SHALL BE INSTALLED IN ACCORDANCE WITH THE DIVING/SLIDING EQUIPMENT MANUFACTURER'S SPECIFICATIONS. PLEASE CONTACT THE DIVING/SLIDING EQUIPMENT MANUFACTURER FOR THEIR SPECIFICATIONS.

CUSTOMER: SCP/OLIVE BRANCH

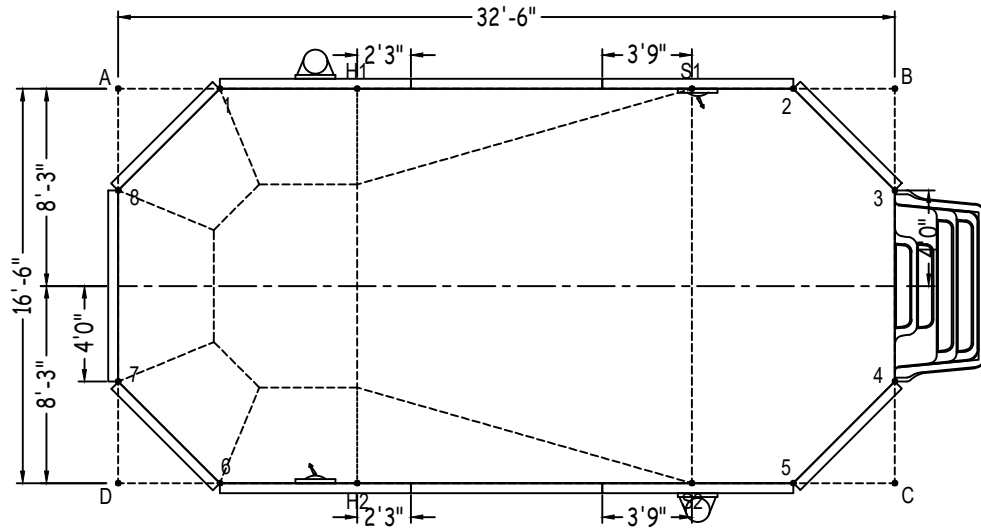
JOB NAME: USSE00S1632-16

ALL ASPECTS OF THIS DRAWING COMPLIES WITH ANSI/APSP/ICC-5 2011 AND 2015 ISPSC



Diagonals	2 to 7	30'-9 1/2"
S1toS2	2 to 8	28'-6 3/4"
H1toH2	3 to 4	8'-0"
S1toH1	3 to 5	12'-11 1/2"
S2toH2	3 to 6	30'-9 1/2"
S1toH2	3 to 7	33'-5 3/4"
H1toS2	3 to 8	32'-6"
1 to 2	4 to 5	6'-0"
1 to 3	4 to 6	28'-6 3/4"
1 to 4	4 to 7	32'-6"
1 to 5	4 to 8	33'-5 3/4"
1 to 6	5 to 6	24'-0"
1 to 7	5 to 7	28'-6 3/4"
1 to 8	5 to 8	30'-9 1/2"
2 to 3	6 to 7	6'-0"
2 to 4	6 to 8	12'-11 1/2"
2 to 5	7 to 8	8'-0"
2 to 6	29'-1 1/2"	

		Base
Part number	Description	QTY
ST0960002X	8'	3
ST0960002*	8' SKIMMER	2
ST0960002*	8' RETURN	2
ST0720001X	6'	4
Brace	Brace	4
IPC-AB45	CONNECTOR CNR ANGLE 45D 42"	8
IPC-STKPK25	REBAR STAKE 18" 25PC	1
IPC-HDWSTR150	BOLT STR 3/8-16X1" C/W NUT 150PC	1
IPC-HDW-PK45	BOLT 45DEG 3/8-16X1-1/2" 72PC	1
ST8024B	THICKSHEET STEP STR SIT N STEP 8'	1



	A	B	C	D
1	4'-3"	28'-3"	32'-8 1/2"	17'- 1/2"
2	28'-3"	4'-3"	17'- 1/2"	32'-8 1/2"
3	32'-9 1/4"	4'-3"	12'-3"	34'-8 3/4"
4	34'-8 3/4"	12'-3"	4'-3"	32'-9 1/4"
5	32'-8 1/2"	17'- 1/2"	4'-3"	28'-3"
6	17'- 1/2"	32'-8 1/2"	28'-3"	4'-3"
7	12'-3"	34'-8 3/4"	32'-9 1/4"	4'-3"
8	4'-3"	32'-9 1/4"	34'-8 3/4"	12'-3"
S2	29'-1 1/2"	18'-6 3/4"	8'-6"	24'-0"
S1	24'-0"	8'-6"	18'-6 3/4"	29'-1 1/2"
H2	19'-3 1/2"	27'-10 3/4"	22'-6"	10'-0"
H1	10'-0"	22'-6"	27'-10 3/4"	19'-3 1/2"
A	-	32'-6"	36'-5 1/2"	16'-6"