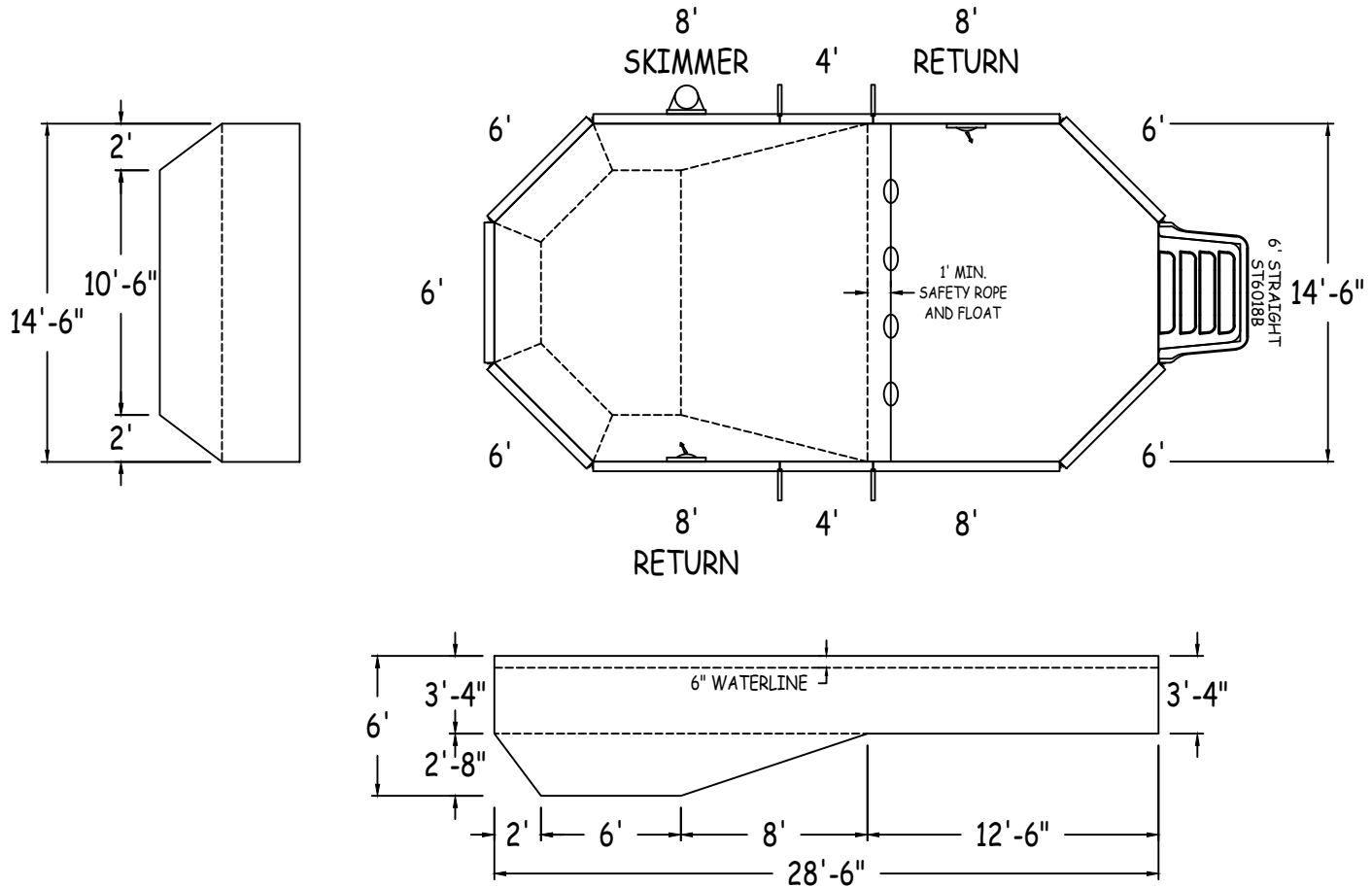


IN ACCORDANCE WITH ANSI/APSP/ICC-5 2011, THE INSTALLER IS RESPONSIBLE FOR PLACING ONE SKIMMER FOR EVERY 800 SQUARE FEET OF SURFACE AREA AND ONE RETURN FOR EVERY 300 SQUARE FEET OF SURFACE AREA.



**LATHAM STEEL**

**GRECIAN 14-6 x 28-6**

42" STEEL PANELS

PERIMETER: 76'-0" VOLUME (US Gal): 10500

DWG#: 2024-SPL-08611

SURFACE (ft²): 377 VOLUME (Liters): 39700

KIT#: CUSTOMKIT

LINER (ft²): 413 DATE: 3/6/2024 DSR:

COVER (ft²): 503

SCALE: 1/8" = 1'-0"

ALWAYS ENTER POOL

**NON-DIVING POOL**

USE OF DIVING EQUIPMENT IS PROHIBITED

ALL ASPECTS OF THIS DRAWING COMPLIES WITH ANSI/APSP/ICC-5 2011 AND 2015 ISPSC

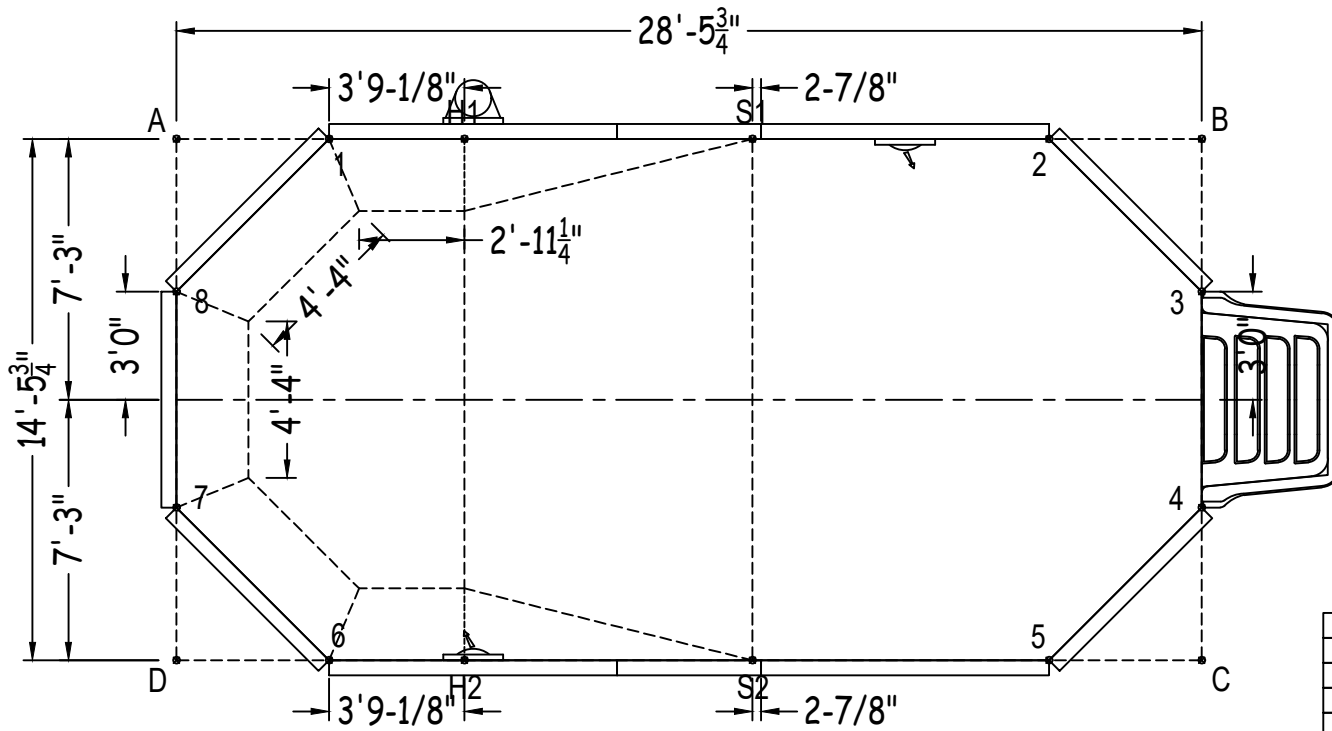
CUSTOMER: SCP/OLIVE BRANCH

JOB NAME: USSE00S1428-16



Diagonals	2 to 7	26'-3 3/4"	
S1toS2	14'-5 3/4"	2 to 8	24'-7 1/4"
H1toH2	14'-5 3/4"	3 to 4	6'-0"
S1toH1	8'-0"	3 to 5	11'-1"
S2toH2	8'-0"	3 to 6	26'-3 3/4"
S1toH2	16'-6 1/2"	3 to 7	29'-1 1/4"
H1toS2	16'-6 1/2"	3 to 8	28'-5 3/4"
1 to 2	20'-0"	4 to 5	6'-0"
1 to 3	24'-7 1/4"	4 to 6	24'-7 1/4"
1 to 4	26'-3 3/4"	4 to 7	28'-5 3/4"
1 to 5	24'-8 1/4"	4 to 8	29'-1 1/4"
1 to 6	14'-5 3/4"	5 to 6	20'-0"
1 to 7	11'-1"	5 to 7	24'-7 1/4"
1 to 8	6'-0"	5 to 8	26'-3 3/4"
2 to 3	6'-0"	6 to 7	6'-0"
2 to 4	11'-1"	6 to 8	11'-1"
2 to 5	14'-5 3/4"	7 to 8	6'-0"
2 to 6	24'-8 1/4"		

		Base
Part number	Description	QTY
ST0960002X	8'	1
ST0960002*	8' SKIMMER	1
ST0960002*	8' RETURN	2
ST0720001X	6'	5
ST0480001X	4'	2
Brace	Brace	4
IPC-AB45	CONNECTOR CNR ANGLE 45D 42"	8
IPC-STKPK25	REBAR STAKE 18" 25PC	1
IPC-HDWSTR150	BOLT STR 3/8-16X1" C/W NUT 150PC	1
IPC-HDW-PK45	BOLT 45DEG 3/8-16X1-1/2" 72PC	1
ST6018B	THICKSHEET STEP STRAIGHT 6'	1



	A	B	C	D
1	4'-3"	24'-3"	28'-3"	15'-1 1/4"
2	24'-3"	4'-3"	15'-1 1/4"	28'-3"
3	28'-9 1/2"	4'-3"	10'-3"	30'-3 1/4"
4	30'-3 1/4"	10'-3"	4'-3"	28'-9 1/2"
5	28'-3"	15'-1 1/4"	4'-3"	24'-3"
6	15'-1 1/4"	28'-3"	24'-3"	4'-3"
7	10'-3"	30'-3 1/4"	28'-9 1/2"	4'-3"
8	4'-3"	28'-9 1/2"	30'-3 1/4"	10'-3"
S2	21'-7"	19'-1 1/2"	12'-5 3/4"	16'-0"
S1	16'-0"	12'-5 3/4"	19'-1 1/2"	21'-7"
H2	16'-6 1/2"	25'-1"	20'-5 3/4"	8'-0"
H1	8'-0"	20'-5 3/4"	25'-1"	16'-6 1/2"
A	-	28'-5 3/4"	31'-11 1/2"	14'-5 3/4"