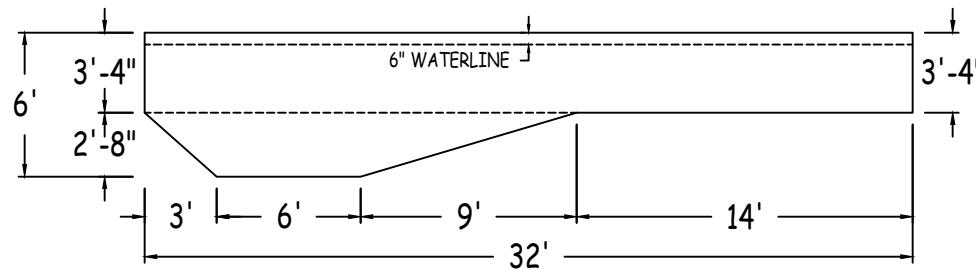
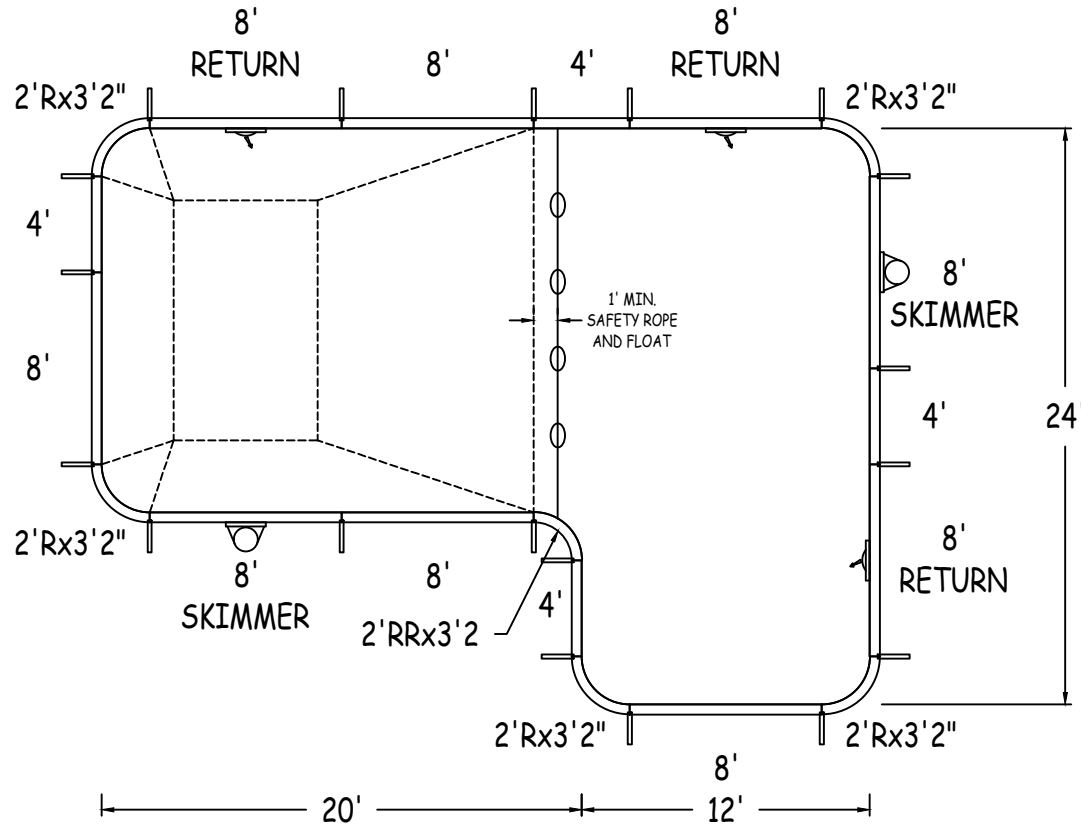
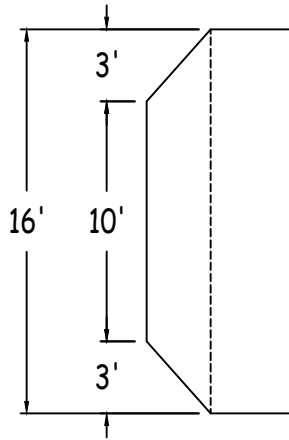


IN ACCORDANCE WITH ANSI/APSP/ICC-5 2011, THE INSTALLER IS RESPONSIBLE FOR PLACING ONE SKIMMER FOR EVERY 800 SQUARE FEET OF SURFACE AREA AND ONE RETURN FOR EVERY 300 SQUARE FEET OF SURFACE AREA.



**LATHAM STEEL**

FULL-L 2FT RAD 16-0 x 24-0 x 32-0 LEFT

42" STEEL PANELS

PERIMETER: 106'-10" VOLUME (US Gal): 16800

DWG#: 2024-SPL-08605

SURFACE (ft²): 605 VOLUME (Liters): 63600

KIT#: CUSTOMKIT

LINER (ft²): 608 DATE: 3/6/2024 DSR:

COVER (ft²): 724

SCALE: 1/8" = 1'-0"



**NON-DIVING POOL**

USE OF DIVING EQUIPMENT IS PROHIBITED

ALL ASPECTS OF THIS DRAWING COMPLIES WITH ANSI/APSP/ICC-5 2011 AND 2015 ISPSC

CUSTOMER: SCP/OLIVE BRANCH

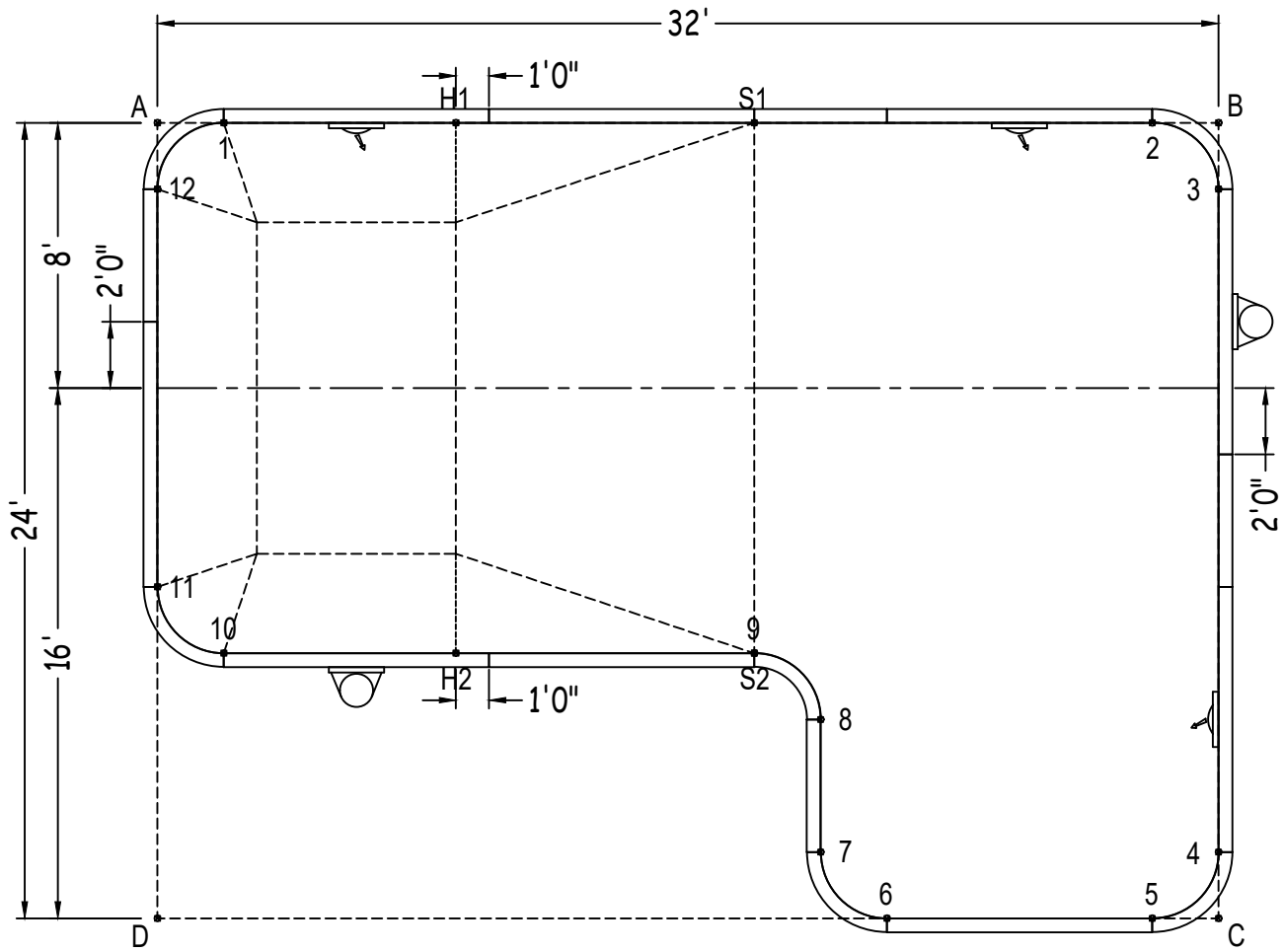
JOB NAME: USSL24S1632L16

**FULL-L**

SHEET: 1 OF 2

Diagonals	1 to 8	25'-5 1/2"	2 to 11	33'-1 1/4"	4 to 7	12'-0"	6 to 7	2'-10"	8 to 11	20'-4 3/4"	
S1 to S2	1 to 9	22'-7 1/2"	2 to 12	30'-3/4"	4 to 8	12'-7 3/4"	6 to 8	6'-4"	8 to 12	25'-7 1/4"	
H1 to H2	1 to 10	16'-0"	3 to 4	20'-0"	4 to 9	15'-2 3/4"	6 to 9	8'-11 1/4"	9 to 10	16'-0"	
S1 to H1	1 to 11	14'-1 3/4"	3 to 5	22'-1"	4 to 10	30'-7 1/4"	6 to 10	21'-6 1/2"	9 to 11	18'-1 1/4"	
S2 to H2	1 to 12	2'-10"	3 to 6	24'-2"	4 to 11	32'-11 3/4"	6 to 11	24'-2"	9 to 12	22'-9 3/4"	
S1 to H2	18'-4 1/4"	2 to 3	2'-10"	3 to 7	23'-4"	4 to 12	37'-8 3/4"	6 to 12	31'-1 1/4"	10 to 11	2'-10"
H1 to S2	18'-4 1/4"	2 to 4	22'-1"	3 to 8	20'-0"	5 to 6	8'-0"	7 to 8	4'-0"	10 to 12	14'-1 3/4"
1 to 2	28'-0"	2 to 5	24'-0"	3 to 9	19'-9 1/2"	5 to 7	10'-2 1/2"	7 to 9	6'-4"	11 to 12	12'-0"
1 to 3	30'-3/4"	2 to 6	25'-3 1/2"	3 to 10	33'-1 1/4"	5 to 8	11'-8"	7 to 10	18'-11 3/4"		
1 to 4	37'-2 1/2"	2 to 7	24'-2"	3 to 11	34'-2"	5 to 9	14'-5"	7 to 11	21'-6 1/2"		
1 to 5	36'-10 1/2"	2 to 8	20'-7"	3 to 12	32'-0"	5 to 10	29'-1 1/2"	7 to 12	28'-3 1/2"		
1 to 6	31'-3"	2 to 9	20'-0"	4 to 5	2'-10"	5 to 11	31'-7 1/2"	8 to 9	2'-10"		
1 to 7	28'-5"	2 to 10	32'-3"	4 to 6	10'-2 1/2"	5 to 12	37'-2 1/2"	8 to 10	18'-1 1/4"		

		<b>Base</b>
Part number	Description	QTY
ST0960002X	8'	4
ST0960002*	8' SKIMMER	2
ST0960002*	8' RETURN	3
ST0480001X	4'	4
CN0380241X	2'Rx3'2"	5
CR0380240X	2'RRx3'2"	1
Brace	Brace	19
IPC-STKPK25	REBAR STAKE 18" 25PC	2
IPC-HDWSTR150	BOLT STR 3/8-16X1" C/W NUT 150PC	2



	A	B	C	D
1	2'-0"	30'-0"	38'-5"	24'-1"
2	30'-0"	2'-0"	24'-1"	38'-5"
3	32'-3/4"	2'-0"	22'-0"	38'-10"
4	38'-10"	22'-0"	2'-0"	32'-3/4"
5	38'-5"	24'-1"	2'-0"	30'-0"
6	32'-6 3/4"	26'-0"	10'-0"	22'-0"
7	29'-8 3/4"	25'-3/4"	12'-2"	20'-1 1/4"
8	26'-11"	21'-7 1/2"	13'-5"	20'-10 1/2"
9	24'-1"	21'-3"	16'-1 1/2"	19'-8 1/4"
10	16'-1 1/2"	34'-0"	31'-1/2"	8'-3"
11	14'-0"	34'-11 1/4"	33'-6 1/4"	10'-0"
12	2'-0"	32'-3/4"	38'-10"	22'-0"
S2	24'-1"	21'-3"	16'-1 1/2"	19'-8 1/4"
S1	18'-0"	14'-0"	27'-9 1/2"	30'-0"
H2	18'-4 1/4"	28'-1/4"	24'-4 1/4"	12'-1/2"
H1	9'-0"	23'-0"	33'-3"	25'-7 1/2"
A	-	32'-0"	40'-0"	24'-0"