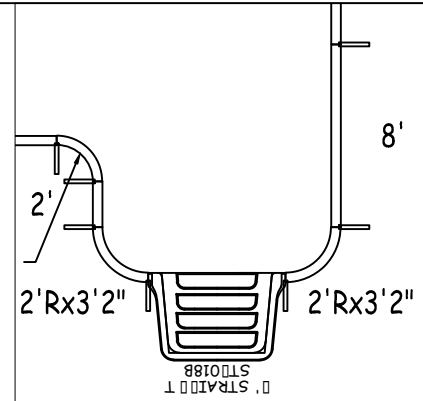
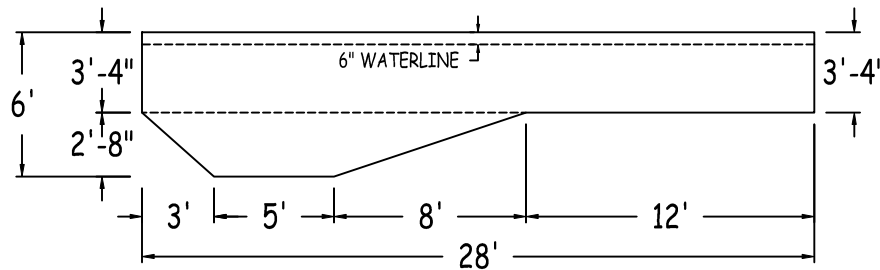
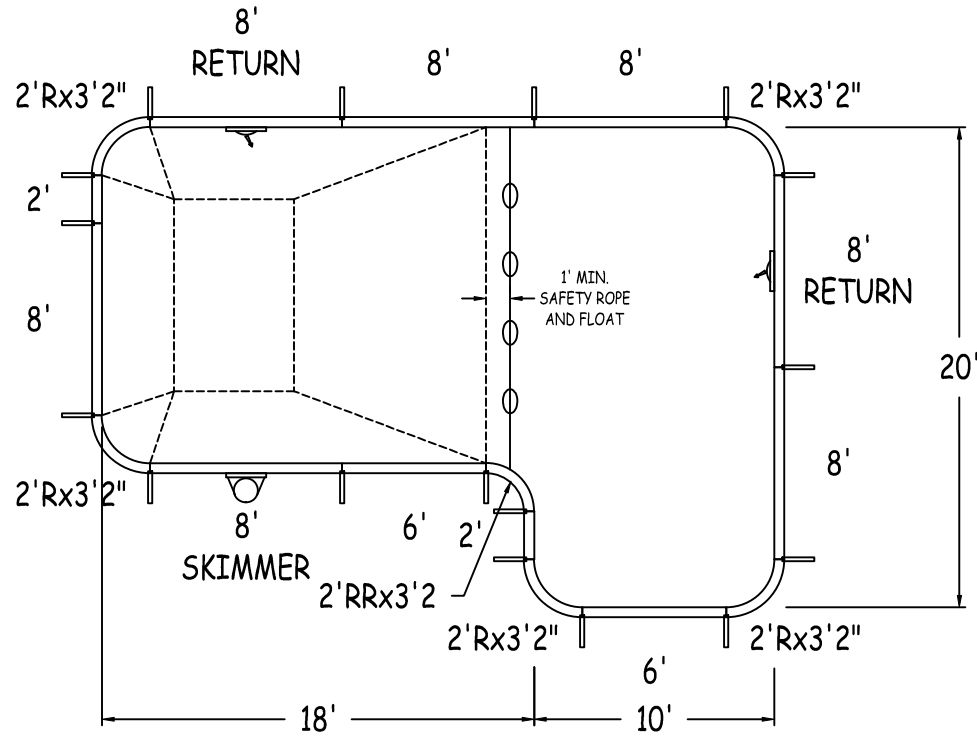
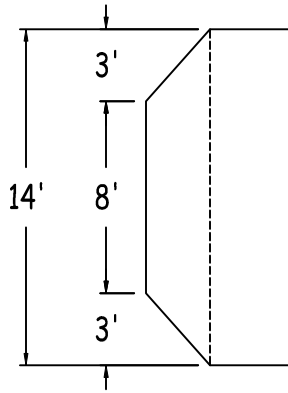
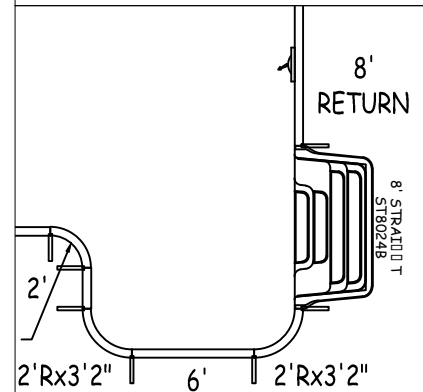


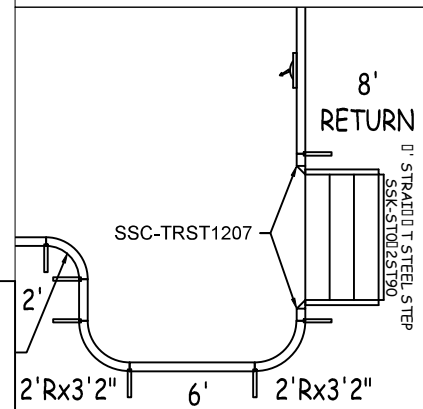
IN ACCORDANCE WITH ANSI/APSP/ICC-5 2011, THE INSTALLER IS RESPONSIBLE FOR PLACING ONE SKIMMER FOR EVERY 800 SQUARE FEET OF SURFACE AREA AND ONE RETURN FOR EVERY 300 SQUARE FEET OF SURFACE AREA.



Step Option 1



Step Option 2



Step Option 3



LATHAM STEEL	FULL-L-2FT RAD 14-0 X 20-0 X 28-0 LEFT			
42" STEEL PANELS	PERIMETER:	91'-0"	VOLUME (US Gal):	12500
DWG#:	SURFACE (ft²):	449	VOLUME (Liters):	47300
USSL24S1428L16	LINER (ft²):	452	DATE:	1/1/2016
KIT#:	COVER (ft²):	552	DSR:	136
SL24S1428			SCALE:	1/8" = 1'-0"



NON-DIVING POOL

USE OF DIVING EQUIPMENT IS PROHIBITED

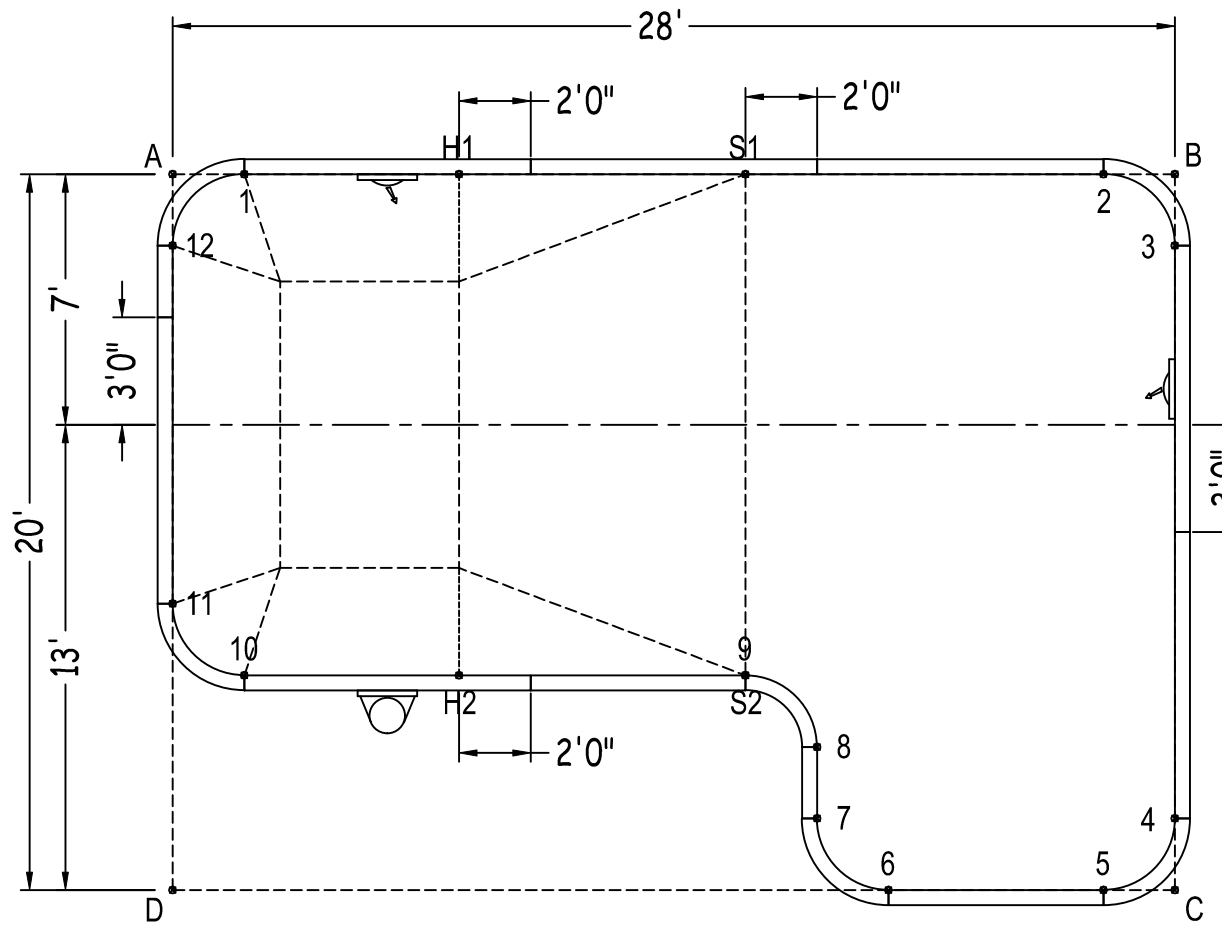
MEETS DEPTH AND SHAPE MINIMUM STANDARD ANSI/APSP/ICC-5 2011

FULL-L-2FT RAD

SHEET: 1 OF 2

Diagonals	1 to 10	14'-0"	3 to 6	19'-8 1/4"	5 to 6	6'-0"	7 to 10	16'-6"
S1toS2	1 to 11	12'-2"	3 to 7	18'-10 1/2"	5 to 7	8'-3"	7 to 11	18'-11 3/4"
H1toH2	1 to 12	2'-10"	3 to 8	17'-2 1/2"	5 to 8	8'-11 1/4"	7 to 12	24'-1"
S1toH1	2 to 3	2'-10"	3 to 9	16'-11 3/4"	5 to 9	11'-8"	8 to 9	2'-10"
S2toH2	2 to 4	18'-1 1/4"	3 to 10	28'-7 3/4"	5 to 10	24'-8 3/4"	8 to 10	16'-1 1/2"
S1toH2	2 to 5	20'-0"	3 to 11	29'-8 3/4"	5 to 11	27'-2 1/2"	8 to 11	18'-5 1/4"
H1toS2	2 to 6	20'-10 1/2"	3 to 12	28'-0"	5 to 12	31'-7 1/2"	8 to 12	22'-9 3/4"
1 to 2	2 to 7	19'-8 1/4"	4 to 5	2'-10"	6 to 7	2'-10"	9 to 10	14'-0"
1 to 3	2 to 8	17'-10 3/4"	4 to 6	8'-3"	6 to 8	4'-5 3/4"	9 to 11	16'-1 1/2"
1 to 4	2 to 9	17'-2 1/2"	4 to 7	10'-0"	6 to 9	7'-2 1/2"	9 to 12	20'-0"
1 to 5	2 to 10	27'-9 1/2"	4 to 8	10'-2 1/2"	6 to 10	18'-11 3/4"	10 to 11	2'-10"
1 to 6	2 to 11	28'-7 3/4"	4 to 9	12'-7 3/4"	6 to 11	21'-6 1/2"	10 to 12	12'-2"
1 to 7	2 to 12	26'-1"	4 to 10	26'-3 3/4"	6 to 12	26'-11"	11 to 12	10'-0"
1 to 8	3 to 4	16'-0"	4 to 11	28'-7 3/4"	7 to 8	2'-0"		
1 to 9	3 to 5	18'-1 1/4"	4 to 12	32'-3"	7 to 9	4'-5 3/4"		

Part number	Description	Base	Option 1	Option 2	Option 3
		QTY	QTY	QTY	QTY
ST0960002X	8'	4	4	3	3
ST0960002*	8' SKIMMER	1	1	1	1
ST0960002*	8' RETURN	2	2	2	2
ST0720001X	6'	2	1	2	2
ST0240000X	2'	2	2	2	2
CN0380241X	2'Rx3'2"	5	5	5	5
CR0380240X	2'RRx3'2"	1	1	1	1
SSC-TRST1207	12" Straight Transition	-	-	-	2
Brace	Brace	17	17	17	17
IPC-STKPK25	REBAR STAKE 18" 25PC	2	2	2	2
IPC-HDWSTRT150	BOLT STR 3/8-16X1" C/W NUT 150PC	2	2	2	2
ST6018B	THKSHT STEP STR 6'	-	1	-	-
ST8024B	THKSHT STEP STR SIT N STEP 8'	-	-	1	-
SSK-ST072ST90	STEEL STEP STR-90D 3 TRD 6'	-	-	-	1



	A	B	C	D
1	2'-0"	26'-0"	32'-9 3/4"	20'-1 1/4"
2	26'-0"	2'-0"	20'-1 1/4"	32'-9 3/4"
3	28'-3/4"	2'-0"	18'-0"	33'-3 1/2"
4	33'-3 1/2"	18'-0"	2'-0"	28'-3/4"
5	32'-9 3/4"	20'-1 1/4"	2'-0"	26'-0"
6	28'-3 1/2"	21'-6 1/2"	8'-0"	20'-0"
7	25'-5 1/2"	20'-7"	10'-2 1/2"	18'-1 1/4"
8	24'-1"	18'-10 1/2"	10'-9 1/4"	18'-5 1/4"
9	21'-3"	18'-5 1/4"	13'-5"	17'-1"
10	14'-1 3/4"	29'-6 1/4"	26'-8 1/4"	6'-4"
11	12'-0"	30'-5 1/2"	29'-1 1/2"	8'-0"
12	2'-0"	28'-3/4"	33'-3 1/2"	18'-0"
S2	21'-3"	18'-5 1/4"	13'-5"	17'-1"
S1	16'-0"	12'-0"	23'-4"	25'-7 1/4"
H2	16'-1 1/2"	24'-5"	20'-10 1/2"	10'-0"
H1	8'-0"	20'-0"	28'-3 1/2"	21'-6 1/2"
A	-	28'-0"	34'-5"	20'-0"

FULL-L-2FT RAD 14-0 X 20-0 X 28-0 LEFT

DWG #: USSL24S1428L16

DATE: 1/1/2016

SHEET: 2 OF 2