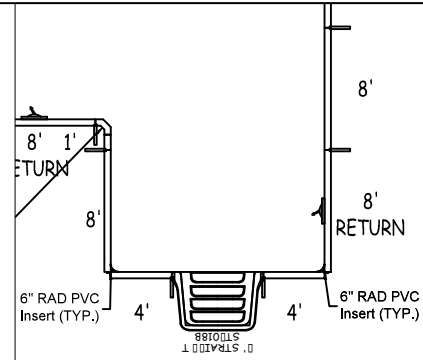
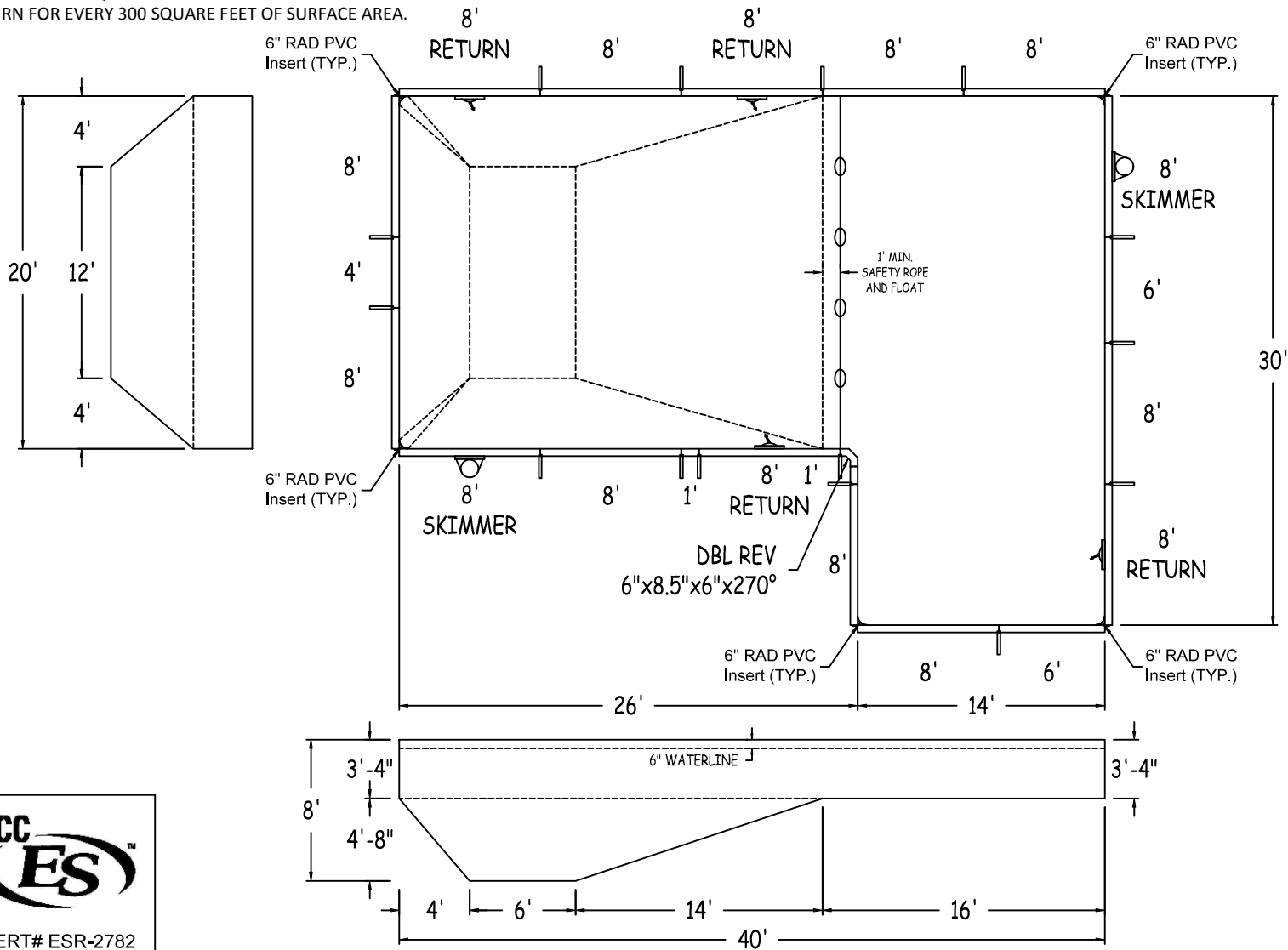
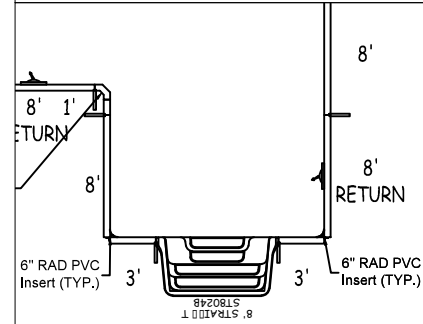


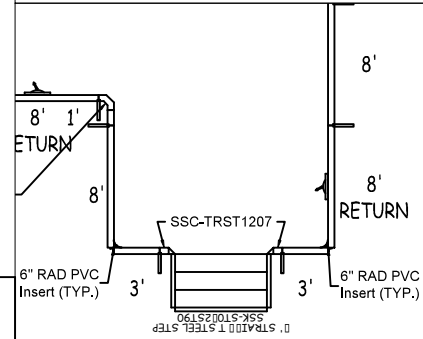
IN ACCORDANCE WITH ANSI/APSP/ICC-5 2011, THE INSTALLER IS RESPONSIBLE FOR PLACING ONE SKIMMER FOR EVERY 800 SQUARE FEET OF SURFACE AREA AND ONE RETURN FOR EVERY 300 SQUARE FEET OF SURFACE AREA.



Step Option 1



Step Option 2



Step Option 3



LATHAM STEEL	FULL-L-6IN RAD 20-0 X 30-0 X 40-0 LEFT			
42" STEEL PANELS	PERIMETER:	139'-9"	VOLUME (US Gal):	30900
DWG#:	SURFACE (ft²):	940	VOLUME (Liters):	116900
USSL06S2040L16	LINER (ft²):	940	DATE:	1/1/2016
KIT#:	COVER (ft²):	1084	DSR:	136
SL06S2040	SCALE:	N/A		

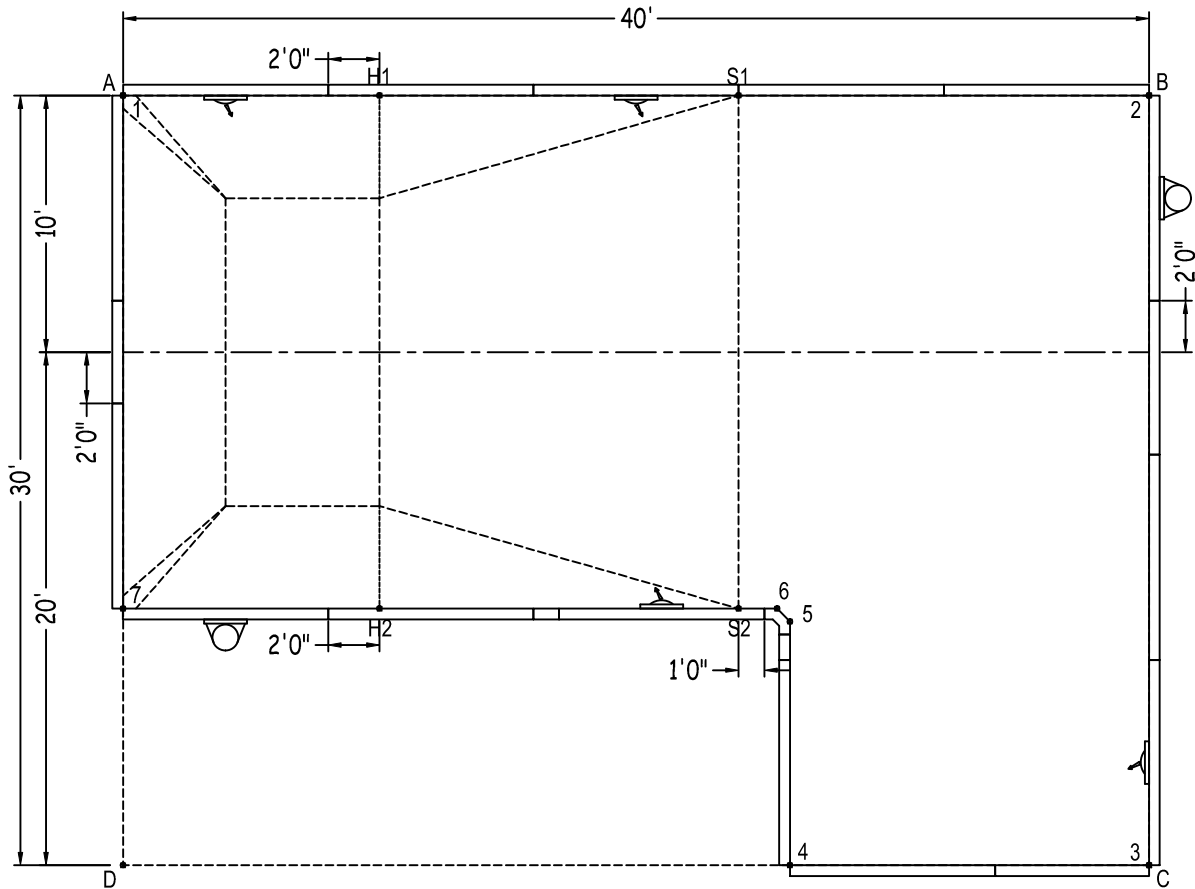


DIVING/SLIDING EQUIPMENT SHALL BE DESIGNED FOR SWIMMING POOLS AND SHALL BE INSTALLED IN ACCORDANCE WITH THE DIVING/SLIDING EQUIPMENT MANUFACTURER'S SPECIFICATIONS. PLEASE CONTACT THE DIVING/SLIDING EQUIPMENT MANUFACTURER FOR THEIR SPECIFICATIONS.

MEETS DEPTH AND SHAPE MINIMUM STANDARD ANSI/APSP/ICC-5 2011

FULL-L-6IN RAD

Diagonals	1 to 5	33'-1 1/4"	3 to 6	17'-7 1/2"
S1toS2	1 to 6	32'-5"	3 to 7	41'-2 3/4"
H1toH2	1 to 7	20'-0"	4 to 5	9'-6"
S1toH1	2 to 3	30'-0"	4 to 6	10'- 1/4"
S2toH2	2 to 4	33'-1 1/4"	4 to 7	27'-10 1/4"
S1toH2	2 to 5	24'-10"	5 to 6	8 1/2"
H1toS2	2 to 6	24'-8 1/2"	5 to 7	26'-0"
1 to 2	2 to 7	44'-8 3/4"	6 to 7	25'-6"
1 to 3	3 to 4	14'-0"		
1 to 4	3 to 5	16'-11"		



Part number	Description	Base	Option 1	Option 2	Option 3
		QTY	QTY	QTY	QTY
ST0960002X	8'	9	8	8	8
ST0960002*	8' SKIMMER	2	2	2	2
ST0960002*	8' RETURN	4	4	4	4
ST0720001X	6'	2	1	1	1
ST0480001X	4'	1	3	1	1
ST0360000X	3'	-	-	2	2
ST0120000X	1'	2	2	2	2
DR06090690	DBL REV 6"x8.5"x6"x270°	1	1	1	1
SSC-TRST1207	12" Straight Transition	-	-	-	-
Brace		15	16	16	16
IPC-AB90	CONNECTOR CNR ANGLE 90D 42"	5	5	5	5
IPC-AB90-INS6R	CORNER INSERT 6" RAD PVC 42"	5	5	5	5
IPC-STKPK25	REBAR STAKE 18" 25PC	2	2	2	2
IPC-HDWSTR150	BOLT STR 3/8-16X1" C/W NUT 150PC	2	2	2	2
ST6018B	THKSHT STEP STR 6'	-	1	-	-
ST8024B	THKSHT STEP STR SIT N STEP 8'	-	-	1	-
SSK-ST072ST90	STEEL STEP STR-90D 3 TRD 6'	-	-	-	1

	A	B	C	D
1	0"	40'-0"	50'-0"	30'-0"
2	40'-0"	0"	30'-0"	50'-0"
3	50'-0"	30'-0"	0"	40'-0"
4	39'-8 1/2"	33'-1 1/4"	14'-0"	26'-0"
5	33'-1 1/4"	24'-10"	16'-11"	27'-8 1/4"
6	32'-5"	24'-8 1/2"	17'-7 1/2"	27'-4 3/4"
7	20'-0"	44'-8 3/4"	41'-2 3/4"	10'-0"
S2	31'-3"	25'-7 1/4"	18'-10 1/2"	26'-0"
S1	24'-0"	16'-0"	34'-0"	38'-5"
H2	22'-4 1/4"	36'- 3/4"	31'-7 1/2"	14'-1 3/4"
H1	10'-0"	30'-0"	42'-5"	31'-7 1/2"
A	-	40'-0"	50'-0"	30'-0"

FULL-L-6IN RAD 20-0 X 30-0 X 40-0 LEFT

DWG #: USSL06S2040L16

DATE: 1/1/2016

SHEET: 2 OF 2