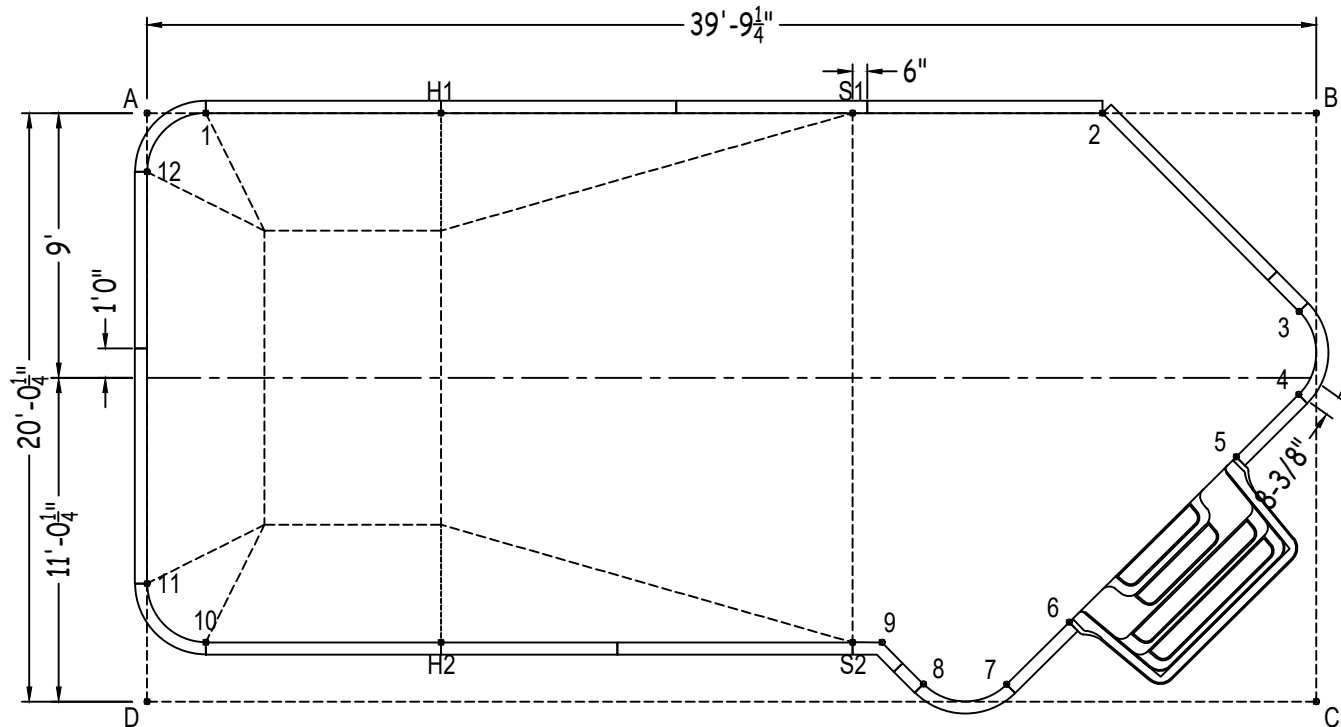


Diagonals	1 to 8	31'-2 1/4"	2 to 11	36'-2 3/4"	4 to 7	14'-0"	6 to 7	3'-0"	8 to 11	26'-7 1/2"
S1 to S2	1 to 9	29'-2 1/2"	2 to 12	32'-6 3/4"	4 to 8	16'-1 1/2"	6 to 8	5'-4 1/2"	8 to 12	31'-7 3/4"
H1 to H2	1 to 10	18'-0"	3 to 4	2'-10"	4 to 9	16'-6"	6 to 9	6'-4 3/4"	9 to 10	23'-0"
S1 to H1	1 to 11	16'-1 1/2"	3 to 5	5'-4 1/2"	4 to 10	38'-1 1/2"	6 to 10	29'-4 1/2"	9 to 11	25'-1"
S2 to H2	1 to 12	2'-10"	3 to 6	13'-1 3/4"	4 to 11	39'-8 1/2"	6 to 11	31'-4 3/4"	9 to 12	29'-8 1/4"
S1 to H2	2 to 3	9'-6"	3 to 7	16'-1 1/2"	4 to 12	39'-10 3/4"	6 to 12	34'-11"	10 to 11	2'-10"
H1 to S2	2 to 4	11'-8"	3 to 8	18'-0"	5 to 6	8'-0"	7 to 8	2'-10"	10 to 12	16'-1 1/2"
1 to 2	2 to 5	12'-6 1/2"	3 to 9	18'-1 1/4"	5 to 7	11'-0"	7 to 9	4'-5 3/4"	11 to 12	14'-0"
1 to 3	2 to 6	17'-4 1/4"	3 to 10	38'-10 1/4"	5 to 8	13'-1 3/4"	7 to 10	27'-3 1/4"		
1 to 4	2 to 7	19'-8 1/2"	3 to 11	40'-3 1/4"	5 to 9	13'-7 1/4"	7 to 11	29'-5 1/4"		
1 to 5	2 to 8	20'-4 1/4"	3 to 12	39'-5 3/4"	5 to 10	35'-7 1/4"	7 to 12	34'-1 1/2"		
1 to 6	2 to 9	19'-6"	4 to 5	3'-0"	5 to 11	37'-3 1/2"	8 to 9	2'-0"		
1 to 7	2 to 10	35'-5"	4 to 6	11'-0"	5 to 12	38'-3 1/2"	8 to 10	24'-5 1/2"		



Part number	Description	QTY
ST0960002X	8'	2
ST0780001X	6'6"	1
ST0720001X	6'	2
ST0360000X	3'	2
ST0180000X	1'6"	1
ST0120000X	1'	1
CN0380241X	2'Rx3'2"	4
SR01201245	REV 1'x1'x45°	1
Brace	Brace	19
IPC-AB45	CONNECTOR CNR ANGLE 45D 42"	1
IPC-STKPK25	REBAR STAKE 18" 25PC	2
IPC-HDWSTR150	BOLT STR 3/8-16X1" C/W NUT 150PC	2
IPC-HDW-PK45	BOLT 45DEG 3/8-16X1-1/2" 72PC	1
ST8024B	THICKSHEET STEP STR SIT N STEP 8'	1

8' SKIM (1085)	2
8' RETURN	3
4' 6" PLAIN	1
2' PLAIN	1

	A	B	C	D
1	2'-0"	37'-9 1/4"	42'-9"	20'-1 1/4"
2	32'-6"	7'-3 1/4"	21'-3 1/2"	38'-2"
3	39'-9 1/4"	6'-9 1/4"	13'-3 1/4"	41'-4 1/2"
4	40'-4"	9'-7"	10'-5 1/2"	40'-6 1/2"
5	38'-10 1/4"	12'-0"	8'-9"	37'-11 3/4"
6	35'-10"	19'-3"	8'-10"	31'-5 3/4"
7	35'-1 1/4"	22'-1 1/4"	10'-6 1/2"	29'-3"
8	32'-9 1/4"	23'-6 3/4"	13'-4 1/2"	26'-5"
9	30'-9 3/4"	23'-3 1/2"	14'-10 3/4"	25'-1"
10	18'-1 1/4"	41'-10"	37'-9 3/4"	2'-10"
11	16'-0"	42'-10 1/2"	39'-11 3/4"	4'-1 1/4"
12	2'-0"	39'-9 3/4"	43'-8"	18'-1 1/4"
S2	30'-0"	23'-11 1/4"	15'-10 3/4"	24'-1"
S1	24'-0"	15'-9 1/4"	25'-5 3/4"	31'-3"
H2	20'-7"	34'-9 1/2"	29'-10"	10'-2 1/2"
H1	10'-0"	29'-9 1/4"	35'-10 1/2"	22'-4 1/2"
A	-	39'-9 1/4"	44'-6 1/4"	20'-1 1/4"