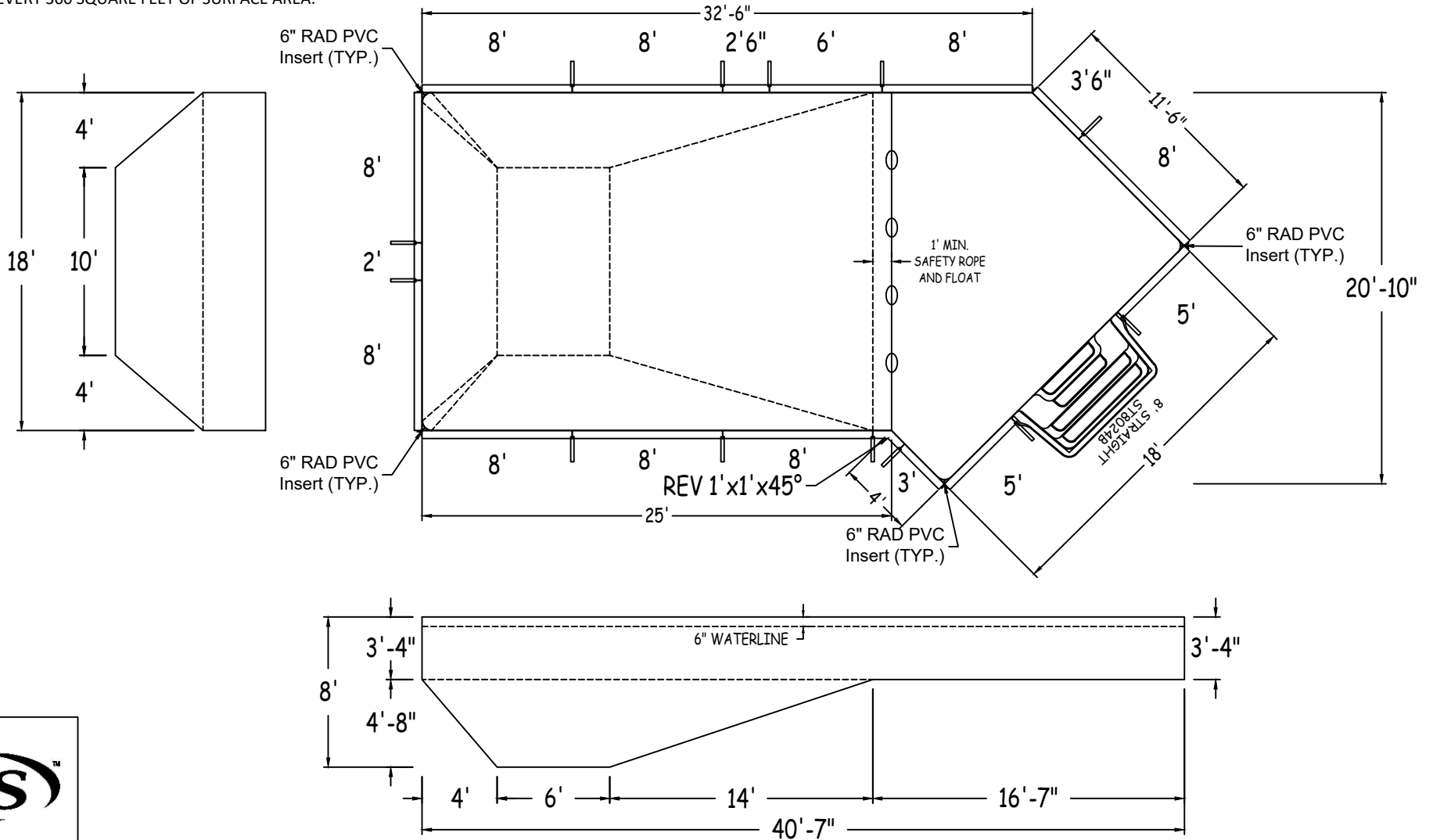


IN ACCORDANCE WITH ANSI/APSP/ICC-5 2011, THE INSTALLER IS RESPONSIBLE FOR PLACING ONE SKIMMER FOR EVERY 800 SQUARE FEET OF SURFACE AREA AND ONE RETURN FOR EVERY 300 SQUARE FEET OF SURFACE AREA.



LATHAM STEEL

LAZY-L-6IN RAD 18-0 x 20-10 x 40-7 LEFT

42" STEEL PANELS

PERIMETER: 109'-0" VOLUME (US Gal): 21600

DWG#: 2020-SPL-27617

SURFACE (ft²): 657 VOLUME (Liters): 81700

KIT#: CUSTOMKIT

LINER (ft²): 657 DATE: 5/21/2020 DSR:

COVER (ft²): 770

SCALE: 1/8" = 1'-0"



DIVING/SLIDING EQUIPMENT SHALL BE DESIGNED FOR SWIMMING POOLS AND SHALL BE INSTALLED IN ACCORDANCE WITH THE DIVING/SLIDING EQUIPMENT MANUFACTURER'S SPECIFICATIONS. PLEASE CONTACT THE DIVING/SLIDING EQUIPMENT MANUFACTURER FOR THEIR SPECIFICATIONS.

CUSTOMER:

JOB NAME:

ALL ASPECTS OF THIS DRAWING COMPLIES WITH ANSI/APSP/ICC-5 2011 AND 2015 ISPSC

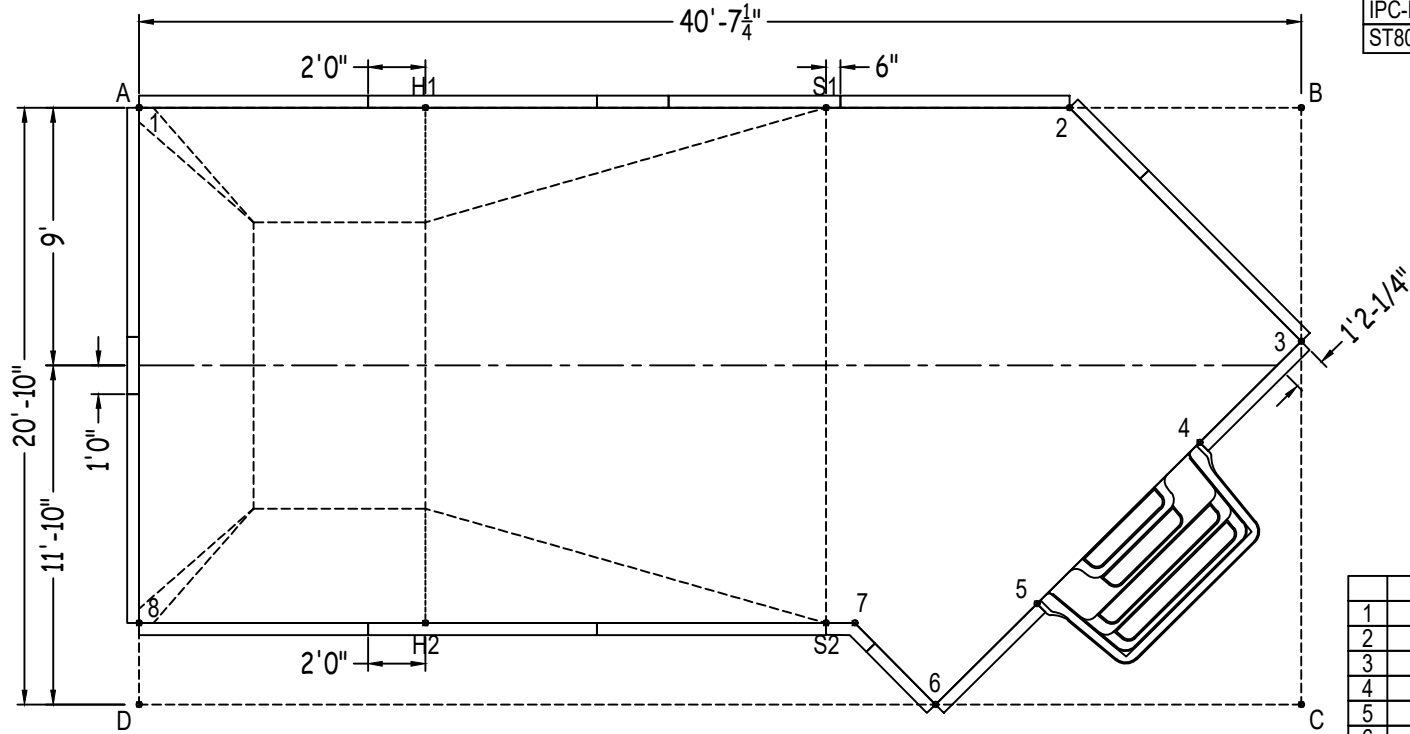
LAZY-L-6IN RAD

SHEET: 1 OF 2

Diagonals	1 to 7	30'-9 3/4"	3 to 8	41'-9 1/4"
S1 to S2	1 to 8	18'-0"	4 to 5	8'-0"
H1 to H2	2 to 3	11'-6"	4 to 6	13'-0"
S1 to H1	2 to 4	12'-6 1/2"	4 to 7	13'-7 1/4"
S2 to H2	2 to 5	17'-4 1/4"	4 to 8	37'-7"
S1 to H2	2 to 6	21'-4 1/4"	5 to 6	5'-0"
H1 to S2	2 to 7	19'-6"	5 to 7	6'-4 3/4"
1 to 2	2 to 8	37'-1 3/4"	5 to 8	31'-4 1/2"
1 to 3	3 to 4	5'-0"	6 to 7	4'-0"
1 to 4	3 to 5	13'-0"	6 to 8	27'-11 1/2"
1 to 5	3 to 6	18'-0"	7 to 8	25'-0"
1 to 6	3 to 7	18'-5 1/4"		

Base

Part number	Description	QTY
ST0960002X	8'	9
ST0720001X	6'	1
ST0600001X	5'	2
ST0420001X	3'6"	1
ST0360000X	3'	1
ST0300000X	2'6"	1
ST0240000X	2'	1
SR01201245	REV 1'x1'x45°	1
Brace	Brace	13
IPC-AB90	CONNECTOR CNR ANGLE 90D 42"	4
IPC-AB90-INS6R	CORNER INSERT 6" RAD PVC 42"	4
IPC-AB45	CONNECTOR CNR ANGLE 45D 42"	1
IPC-STKPK25	REBAR STAKE 18" 25PC	2
IPC-HDWSTR150	BOLT STR 3/8-16X1" C/W NUT 150PC	2
IPC-HDW-PK45	BOLT 45DEG 3/8-16X1-1/2" 72PC	1
ST8024B	THICKSHEET STEP STR SIT N STEP 8'	1



	A	B	C	D
1	0"	40'-7 1/4"	45'-7 1/2"	20'-10"
2	32'-6"	8'-1 1/4"	22'-4 1/4"	38'-7 1/4"
3	41'-5"	8'-2"	12'-8"	42'-6 1/4"
4	38'-10 1/4"	12'-2 1/2"	9'-9 3/4"	38'-2"
5	35'-10"	19'-7 1/2"	9'-10 1/2"	31'-6 3/4"
6	34'-9"	24'-5 1/4"	12'-9 1/4"	27'-9 3/4"
7	30'-9 3/4"	23'-9 3/4"	15'-10 1/4"	25'-2"
8	18'-0"	44'-5"	40'-8 1/4"	2'-10"
S2	30'-0"	24'-5 3/4"	16'-10"	24'-2"
S1	24'-0"	16'-7 1/4"	26'-7 3/4"	31'-9 1/2"
H2	20'-7"	35'-6"	30'-8 3/4"	10'-4 3/4"
H1	10'-0"	30'-7 1/4"	37'-1 1/4"	23'-1 1/2"
A	-	40'-7 1/4"	45'-7 1/2"	20'-10"