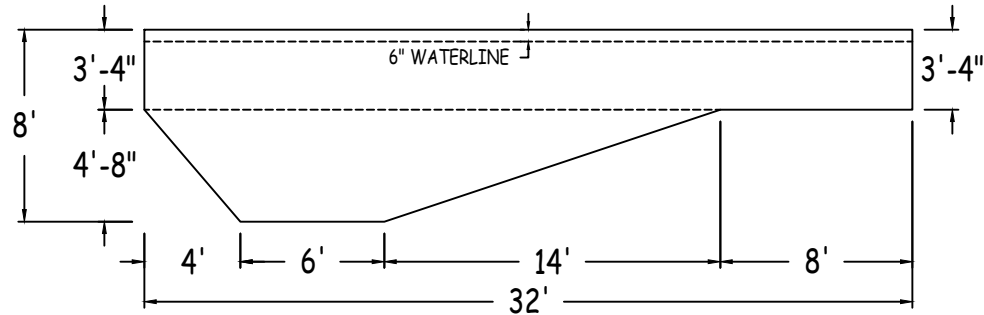
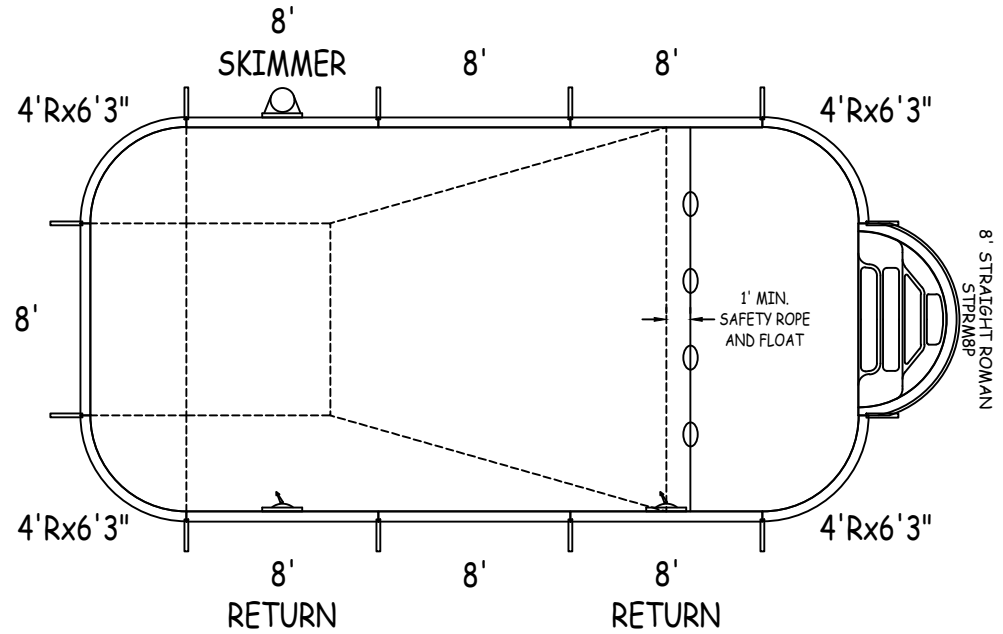
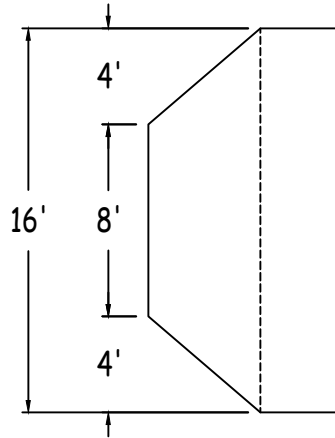


IN ACCORDANCE WITH ANSI/APSP/ICC-5 2011, THE INSTALLER IS RESPONSIBLE FOR PLACING ONE SKIMMER FOR EVERY 800 SQUARE FEET OF SURFACE AREA AND ONE RETURN FOR EVERY 300 SQUARE FEET OF SURFACE AREA.



LATHAM STEEL

RECTANGLE 4FT RAD 16-0 x 32-0

42" STEEL PANELS

PERIMETER: 89'-2" VOLUME (US Gal): 16400

DWG#: 2020-SPL-14304

SURFACE (ft²): 498 VOLUME (Liters): 62100

KIT#: CUSTOMKIT

LINER (ft²): 512 DATE: 4/9/2020 DSR:

COVER (ft²): 612

SCALE: 1/8" = 1'-0"



DIVING/SLIDING EQUIPMENT SHALL BE DESIGNED FOR SWIMMING POOLS AND SHALL BE INSTALLED IN ACCORDANCE WITH THE DIVING/SLIDING EQUIPMENT MANUFACTURER'S SPECIFICATIONS. PLEASE CONTACT THE DIVING/SLIDING EQUIPMENT MANUFACTURER FOR THEIR SPECIFICATIONS.

CUSTOMER:

JOB NAME:

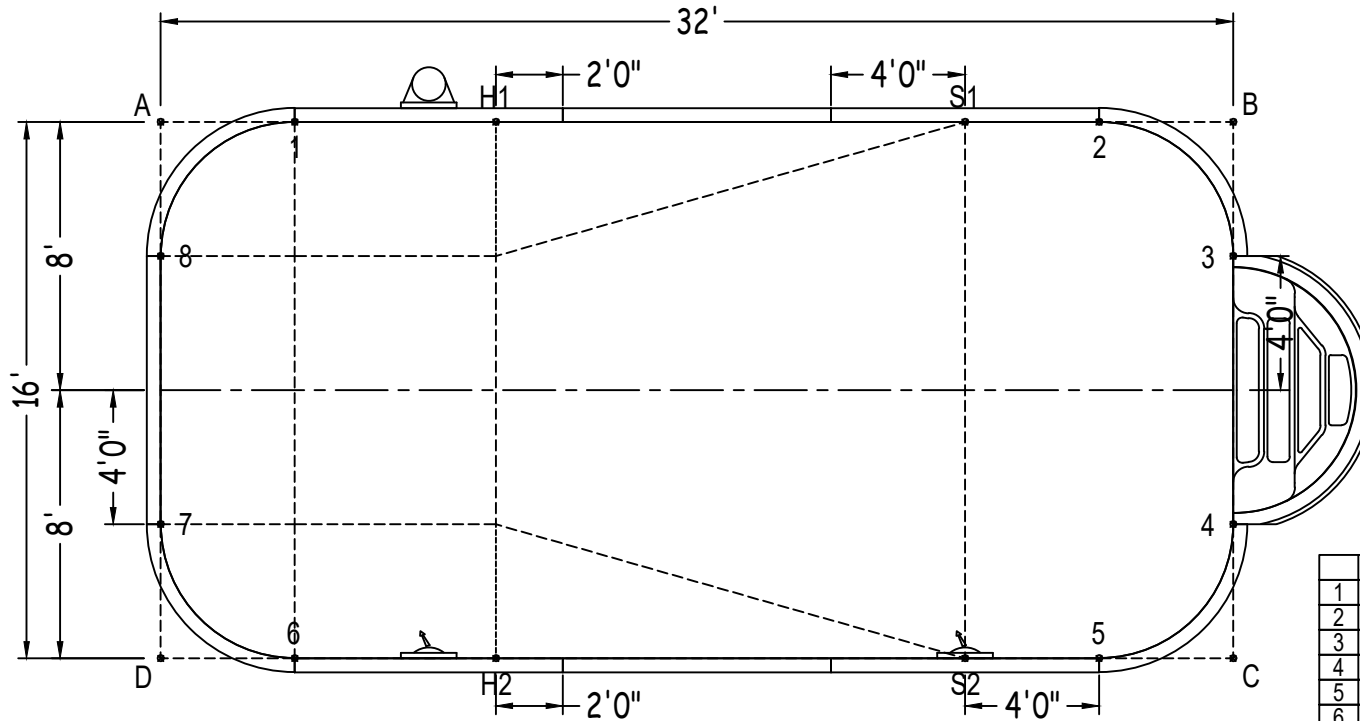
ALL ASPECTS OF THIS DRAWING COMPLIES WITH ANSI/APSP/ICC-5 2011 AND 2015 ISPSC

RECTANGLE

SHEET: 1 OF 2

Diagonals	2 to 7	30'-5 1/2"
S1toS2	2 to 8	28'-3 1/2"
H1toH2	3 to 4	8'-0"
S1toH1	3 to 5	12'-7 3/4"
S2toH2	3 to 6	30'-5 1/2"
S1toH2	3 to 7	32'-11 3/4"
H1toS2	3 to 8	32'-0"
1 to 2	4 to 5	5'-8"
1 to 3	4 to 6	28'-3 1/2"
1 to 4	4 to 7	32'-0"
1 to 5	4 to 8	32'-11 3/4"
1 to 6	5 to 6	24'-0"
1 to 7	5 to 7	28'-3 1/2"
1 to 8	5 to 8	30'-5 1/2"
2 to 3	6 to 7	5'-8"
2 to 4	6 to 8	12'-7 3/4"
2 to 5	7 to 8	8'-0"
2 to 6	28'-10 1/4"	

		Base
Part number	Description	QTY
ST0960002X	8'	4
ST0960002*	8' SKIMMER	1
ST0960002*	8' RETURN	2
CN0750481X	4'Rx6'3"	4
Brace	Brace	12
IPC-STKPK25	REBAR STAKE 18" 25PC	1
IPC-HDWSTR150	BOLT STR 3/8-16X1" C/W NUT 150PC	1
STPRM8P	ACRYLIC STEP STRAIGHT ROMAN 8'	1



	A	B	C	D
1	4'-0"	28'-0"	32'-3"	16'-6"
2	28'-0"	4'-0"	16'-6"	32'-3"
3	32'-3"	4'-0"	12'-0"	34'-2"
4	34'-2"	12'-0"	4'-0"	32'-3"
5	32'-3"	16'-6"	4'-0"	28'-0"
6	16'-6"	32'-3"	28'-0"	4'-0"
7	12'-0"	34'-2"	32'-3"	4'-0"
8	4'-0"	32'-3"	34'-2"	12'-0"
S2	28'-10 1/4"	17'-10 3/4"	8'-0"	24'-0"
S1	24'-0"	8'-0"	17'-10 3/4"	28'-10 1/4"
H2	18'-10 1/2"	27'-2 1/2"	22'-0"	10'-0"
H1	10'-0"	22'-0"	27'-2 1/2"	18'-10 1/2"
A	-	32'-0"	35'-9 1/4"	16'-0"