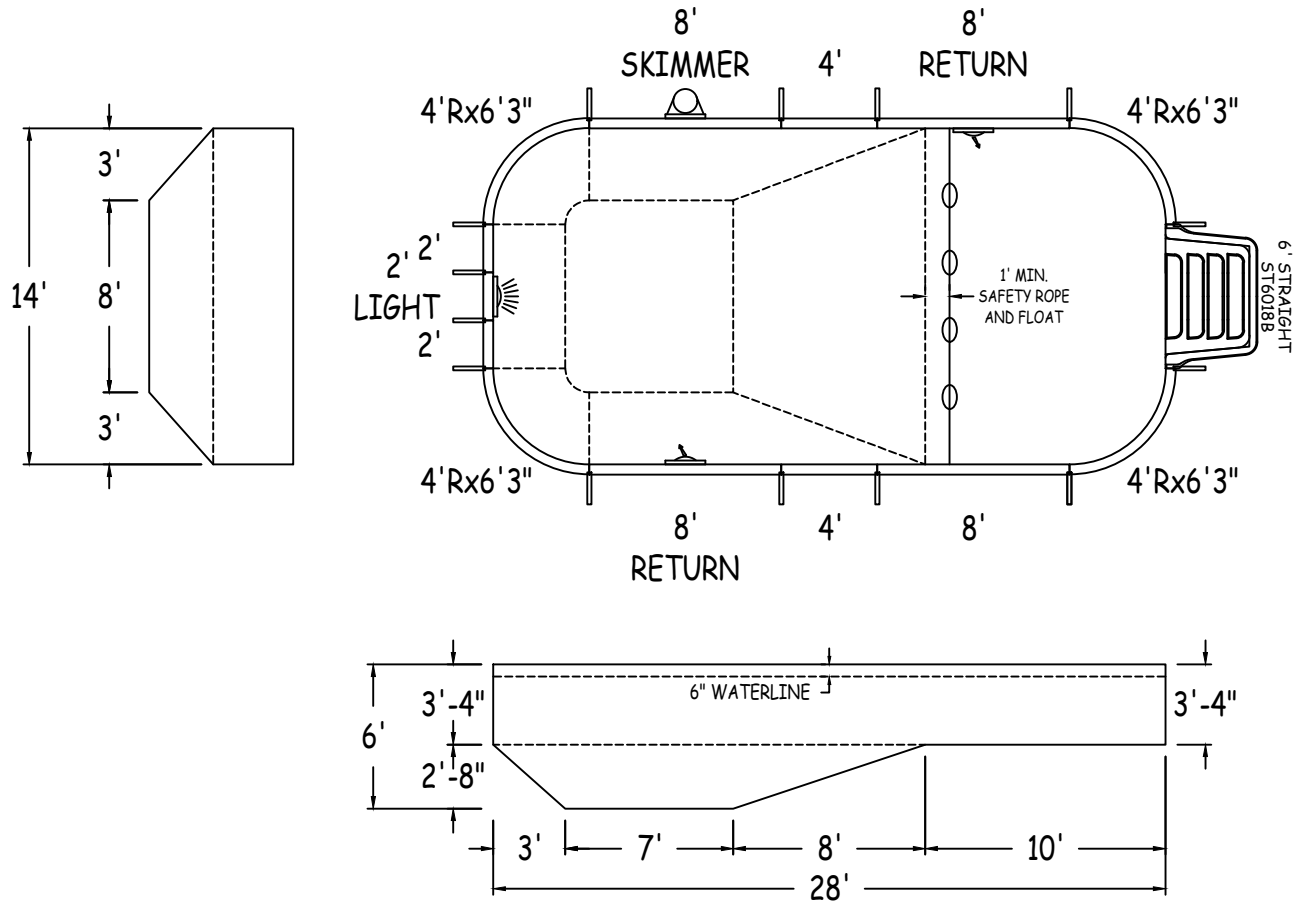


IN ACCORDANCE WITH ANSI/APSP/ICC-5 2011, THE INSTALLER IS RESPONSIBLE FOR PLACING ONE SKIMMER FOR EVERY 800 SQUARE FEET OF SURFACE AREA AND ONE RETURN FOR EVERY 300 SQUARE FEET OF SURFACE AREA.



LATHAM STEEL

RECTANGLE 4FT RAD 14-0 x 28-0

42" STEEL PANELS

PERIMETER: 77'-2" VOLUME (US Gal): 10500

DWG#: 2019-SPL-15939

SURFACE (ft²): 378 VOLUME (Liters): 39700

KIT#: CUSTOMKIT

LINER (ft²): 392 DATE: 4/13/2019 DSR:

COVER (ft²): 480

SCALE: 1/8" = 1'-0"



NON-DIVING POOL

USE OF DIVING EQUIPMENT IS PROHIBITED

ALL ASPECTS OF THIS DRAWING COMPLIES WITH ANSI/APSP/ICC-5 2011 AND 2015 ISPSC

CUSTOMER:

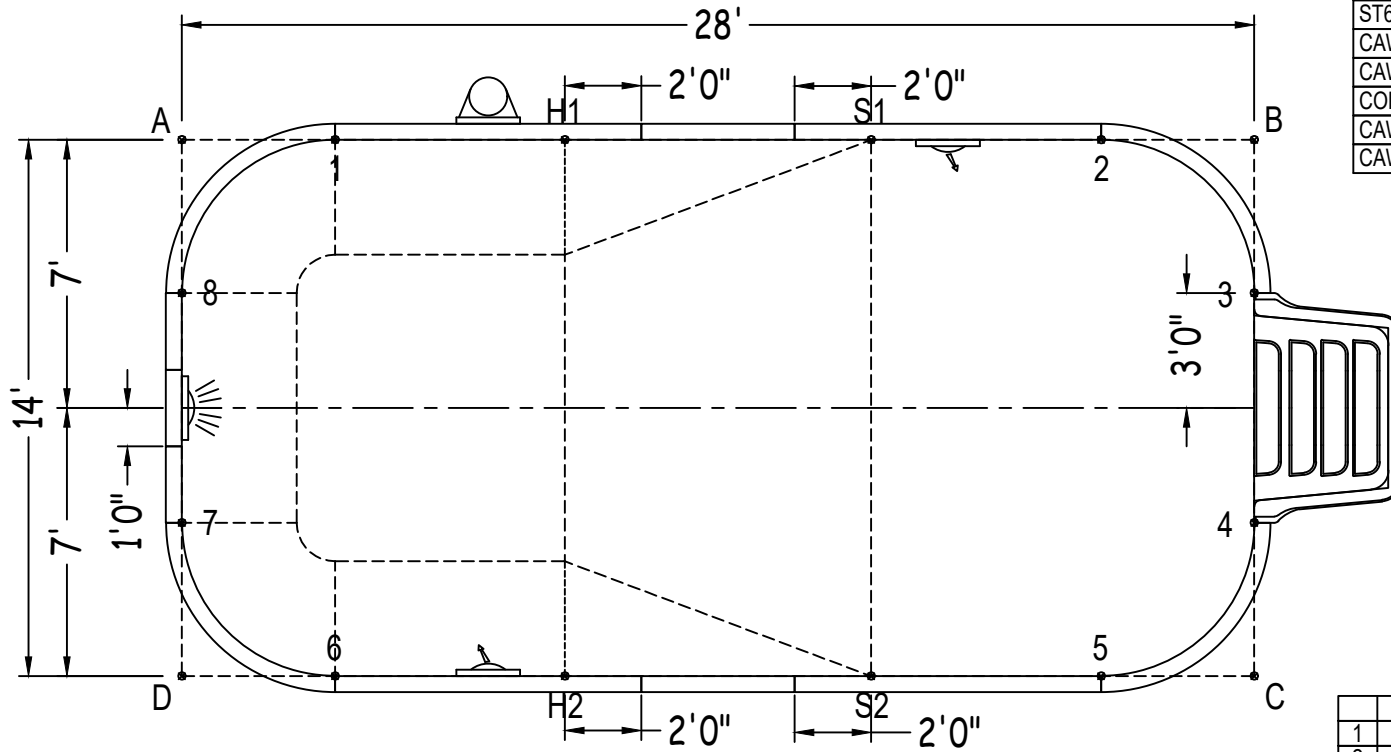
JOB NAME:

RECTANGLE

SHEET: 1 OF 2

Diagonals	1 to 6	14'-0"	3 to 6	26'-0"	6 to 8	10'-9 1/4"
S1 to S2	1 to 7	10'-9 1/4"	3 to 7	28'-7 3/4"	7 to 8	6'-0"
H1 to H2	1 to 8	5'-8"	3 to 8	28'-0"		
S1 to H1	2 to 3	5'-8"	4 to 5	5'-8"		
S2 to H2	2 to 4	10'-9 1/4"	4 to 6	24'-4"		
S1 to H2	2 to 5	14'-0"	4 to 7	28'-0"		
H1 to S2	2 to 6	24'-5"	4 to 8	28'-7 3/4"		
1 to 2	2 to 7	26'-0"	5 to 6	20'-0"		
1 to 3	2 to 8	24'-4"	5 to 7	24'-4"		
1 to 4	3 to 4	6'-0"	5 to 8	26'-0"		
1 to 5	3 to 5	10'-9 1/4"	6 to 7	5'-8"		

		Base
Part number	Description	QTY
ST0960002X	8'	1
ST0960002*	8' SKIMMER	1
ST0960002*	8' RETURN	2
ST0480001X	4'	2
ST0240000X	2'	2
ST0240000*	2' LIGHT	1
CN0750481X	4'Rx6'3"	4
Brace	Brace	15
IPC-STKPK25	REBAR STAKE 18" 25PC	2
IPC-HDWSTRT150	BOLT STR 3/8-16X1" C/W NUT 150PC	2
ST6018B	THICKSHEET STEP STRAIGHT 6'	1
CAW-ST144000-1	CP2 WHT STRT 12' 1PC	2
CAW-CLIP-1	Coping Clip	18
COP-TSPK100	Tek Screw (100/PKG)	1
CAW-ST096000-1	CP2 WHT STRT 8' 1PC	2
CAW-ST072000-1	CP2 WHT STRT 6' 1PC	1



	A	B	C	D
1	4'-0"	24'-0"	27'-9 1/2"	14'-6 3/4"
2	24'-0"	4'-0"	14'-6 3/4"	27'-9 1/2"
3	28'-3 1/2"	4'-0"	10'-0"	29'-8 3/4"
4	29'-8 3/4"	10'-0"	4'-0"	28'-3 1/2"
5	27'-9 1/2"	14'-6 3/4"	4'-0"	24'-0"
6	14'-6 3/4"	27'-9 1/2"	24'-0"	4'-0"
7	10'-0"	29'-8 3/4"	28'-3 1/2"	4'-0"
8	4'-0"	28'-3 1/2"	29'-8 3/4"	10'-0"
S2	22'-9 3/4"	17'-2 1/2"	10'-0"	18'-0"
S1	18'-0"	10'-0"	17'-2 1/2"	22'-9 3/4"
H2	17'-2 1/2"	22'-9 3/4"	18'-0"	10'-0"
H1	10'-0"	18'-0"	22'-9 3/4"	17'-2 1/2"
A	-	28'-0"	31'-3 3/4"	14'-0"