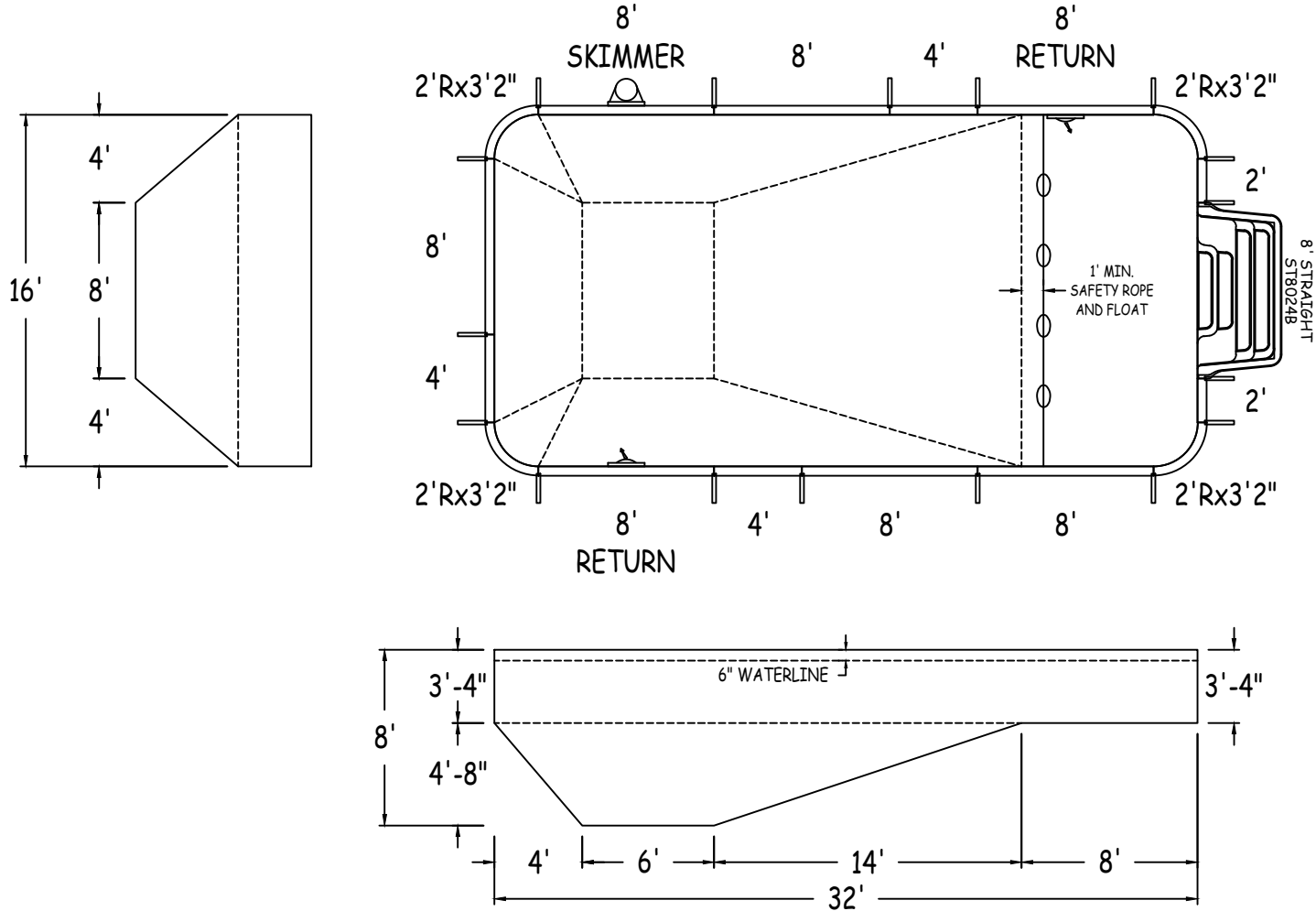


IN ACCORDANCE WITH ANSI/APSP/ICC-5 2011, THE INSTALLER IS RESPONSIBLE FOR PLACING ONE SKIMMER FOR EVERY 800 SQUARE FEET OF SURFACE AREA AND ONE RETURN FOR EVERY 300 SQUARE FEET OF SURFACE AREA.



LATHAM STEEL		RECTANGLE 2FT RAD 16-0 x 32-0	
42" STEEL PANELS	PERIMETER:	92'-7"	VOLUME (US Gal): 16700
DWG#:	SURFACE (ft²):	509	VOLUME (Liters): 63200
2024-SPL-04924	LINER (ft²):	512	DATE: 2/13/2024 DSR:
KIT#:	COVER (ft²):	612	SCALE: 1/8" = 1'-0"

ALWAYS ENTER POOL

DIVING/SLIDING EQUIPMENT SHALL BE DESIGNED FOR SWIMMING POOLS AND SHALL BE INSTALLED IN ACCORDANCE WITH THE DIVING/SLIDING EQUIPMENT MANUFACTURER'S SPECIFICATIONS. PLEASE CONTACT THE DIVING/SLIDING EQUIPMENT MANUFACTURER FOR THEIR SPECIFICATIONS.

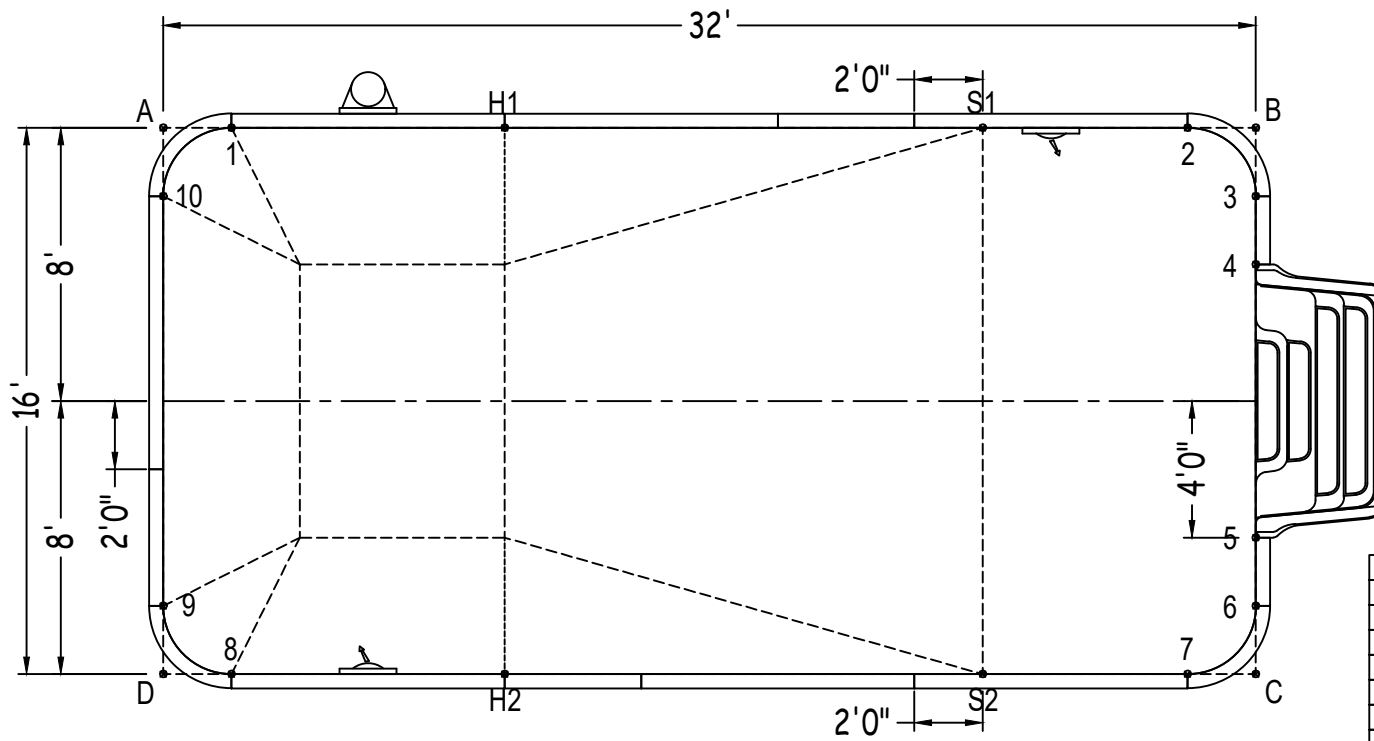
ALL ASPECTS OF THIS DRAWING COMPLIES WITH ANSI/APSP/ICC-5 2011 AND 2015 ISPSC

CUSTOMER: SCP/OLIVE BRANCH
 JOB NAME: 16X32/2R

RECTANGLE

Diagonals	2 to 5	12'-2"	4 to 10	32'- 3/4"	
S1toS2	16'-0"	2 to 6	14'-1 3/4"	5 to 6	2'-0"
H1toH2	16'-0"	2 to 7	16'-0"	5 to 7	4'-5 3/4"
S1toH1	14'-0"	2 to 8	32'-3"	5 to 8	30'-3 1/4"
S2toH2	14'-0"	2 to 9	33'-1 1/4"	5 to 9	32'- 3/4"
S1toH2	21'-3"	2 to 10	30'- 3/4"	5 to 10	33'-6 1/4"
H1toS2	21'-3"	3 to 4	2'-0"	6 to 7	2'-10"
1 to 2	28'-0"	3 to 5	10'-0"	6 to 8	30'- 3/4"
1 to 3	30'- 3/4"	3 to 6	12'-0"	6 to 9	32'-0"
1 to 4	30'-3 1/4"	3 to 7	14'-1 3/4"	6 to 10	34'-2"
1 to 5	32'-3 3/4"	3 to 8	33'-1 1/4"	7 to 8	28'-0"
1 to 6	33'-1 1/4"	3 to 9	34'-2"	7 to 9	30'- 3/4"
1 to 7	32'-3"	3 to 10	32'-0"	7 to 10	33'-1 1/4"
1 to 8	16'-0"	4 to 5	8'-0"	8 to 9	2'-10"
1 to 9	14'-1 3/4"	4 to 6	10'-0"	8 to 10	14'-1 3/4"
1 to 10	2'-10"	4 to 7	12'-2"	9 to 10	12'-0"
2 to 3	2'-10"	4 to 8	32'-3 3/4"		
2 to 4	4'-5 3/4"	4 to 9	33'-6 1/4"		

		Base
Part number	Description	QTY
ST0960002X	8'	4
ST0960002*	8' SKIMMER	1
ST0960002*	8' RETURN	2
ST0480001X	4'	3
ST0240000X	2'	2
CN0380241X	2'Rx3'2"	4
Brace	Brace	17
IPC-STKPK25	REBAR STAKE 18" 25PC	2
IPC-HDWSTR150	BOLT STR 3/8-16X1" C/W NUT 150PC	2
ST8024B	THICKSHEET STEP STR SIT N STEP 8'	1



	A	B	C	D
1	2'-0"	30'-0"	34'-0"	16'-1 1/2"
2	30'-0"	2'-0"	16'-1 1/2"	34'-0"
3	32'- 3/4"	2'-0"	14'-0"	34'-11 1/4"
4	32'-3"	4'-0"	12'-0"	34'-2"
5	34'-2"	12'-0"	4'-0"	32'-3"
6	34'-11 1/4"	14'-0"	2'-0"	32'- 3/4"
7	34'-0"	16'-1 1/2"	2'-0"	30'-0"
8	16'-1 1/2"	34'-0"	30'-0"	2'-0"
9	14'-0"	34'-11 1/4"	32'- 3/4"	2'-0"
10	2'-0"	32'- 3/4"	34'-11 1/4"	14'-0"
S2	28'-10 1/4"	17'-10 3/4"	8'-0"	24'-0"
S1	24'-0"	8'-0"	17'-10 3/4"	28'-10 1/4"
H2	18'-10 1/2"	27'-2 1/2"	22'-0"	10'-0"
H1	10'-0"	22'-0"	27'-2 1/2"	18'-10 1/2"
A	-	32'-0"	35'-9 1/4"	16'-0"