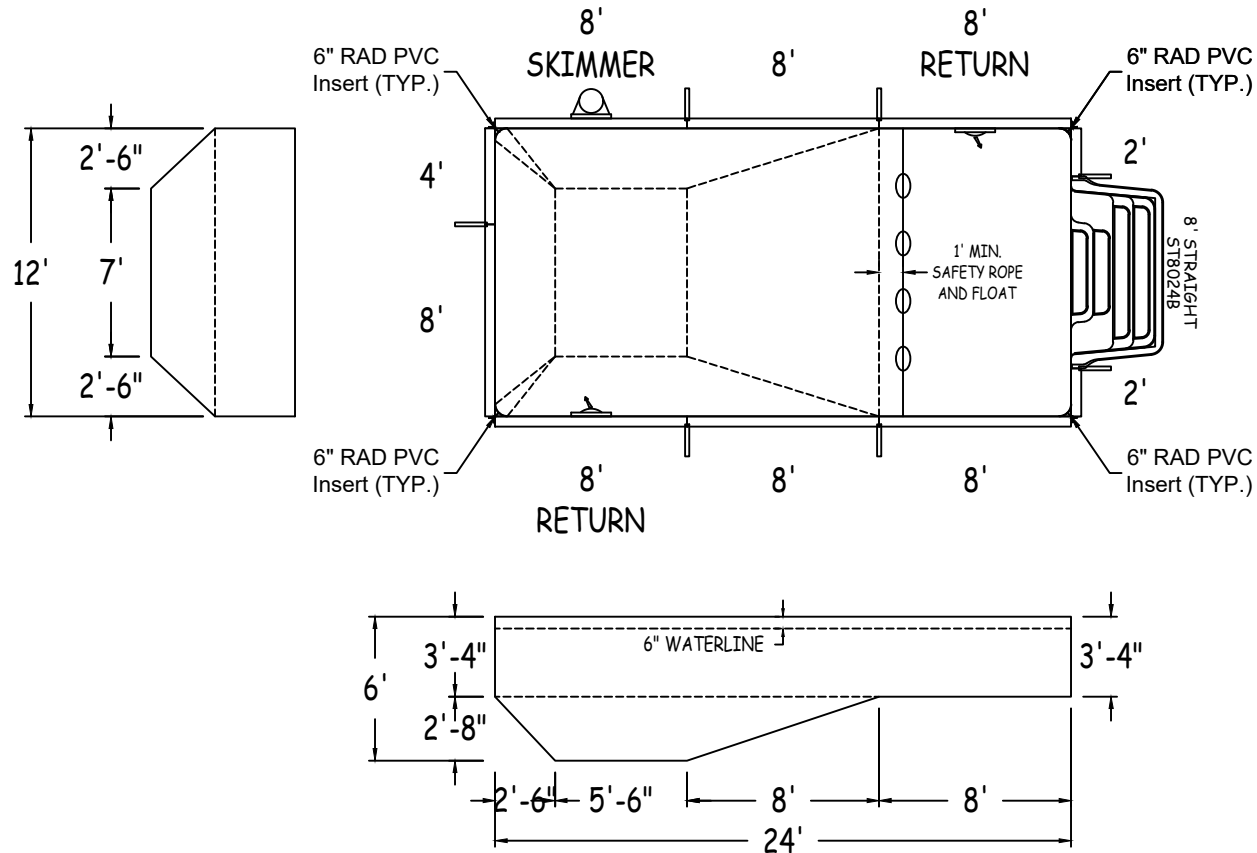


IN ACCORDANCE WITH ANSI/APSP/ICC-5 2011, THE INSTALLER IS RESPONSIBLE FOR PLACING ONE SKIMMER FOR EVERY 800 SQUARE FEET OF SURFACE AREA AND ONE RETURN FOR EVERY 300 SQUARE FEET OF SURFACE AREA.



LATHAM STEEL		RECTANGLE 6IN RAD 12-0 x 24-0			NON-DIVING POOL USE OF DIVING EQUIPMENT IS PROHIBITED	CUSTOMER: SCP/OLIVE BRANCH	
42" STEEL PANELS	PERIMETER: 72'-0"	VOLUME (US Gal): 8000				JOB NAME: 12X24/6R	
DWG#: 2024-SPL-04929	SURFACE (ft²): 288	VOLUME (Liters): 30300	DATE: 2/13/2024	DSR:			
KIT#: CUSTOMKIT	COVER (ft²): 364	SCALE: 1/8" = 1'-0"	ALL ASPECTS OF THIS DRAWING COMPLIES WITH ANSI/APSP/ICC-5 2011 AND 2015 ISPSC				
RECTANGLE						SHEET: 1 OF 2	

