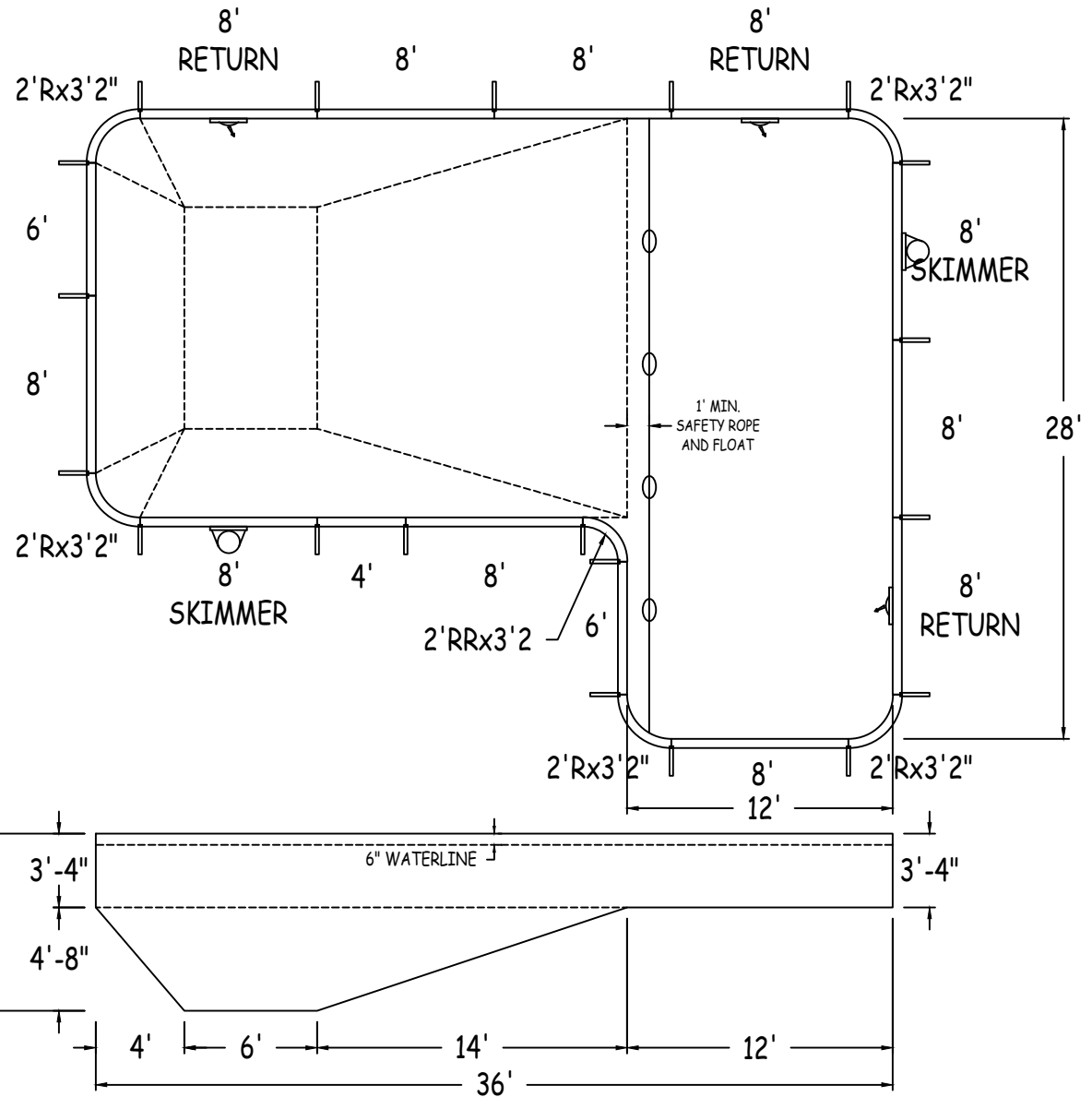
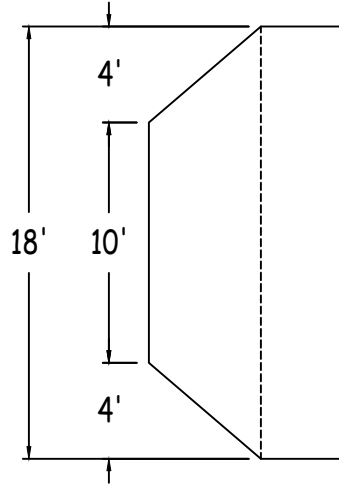


IN ACCORDANCE WITH ANSI/APSP/ICC-5 2011, THE INSTALLER IS RESPONSIBLE FOR PLACING ONE SKIMMER FOR EVERY 800 SQUARE FEET OF SURFACE AREA AND ONE RETURN FOR EVERY 300 SQUARE FEET OF SURFACE AREA.



LATHAM STEEL

FULL-L 2FT RAD 18-0 x 28-0 x 36-0 LEFT

42" STEEL PANELS

PERIMETER: 122'-10" VOLUME (US Gal): 25100

DWG#: 2024-SPL-08606

SURFACE (ft²): 765 VOLUME (Liters): 95000

KIT#: CUSTOMKIT

LINER (ft²): 768 DATE: 3/6/2024 DSR:

COVER (ft²): 900

SCALE: 1/8" = 1'-0"



DIVING/SLIDING EQUIPMENT SHALL BE DESIGNED FOR SWIMMING POOLS AND SHALL BE INSTALLED IN ACCORDANCE WITH THE DIVING/SLIDING EQUIPMENT MANUFACTURER'S SPECIFICATIONS. PLEASE CONTACT THE DIVING/SLIDING EQUIPMENT MANUFACTURER FOR THEIR SPECIFICATIONS.

CUSTOMER: SCP/OLIVE BRANCH

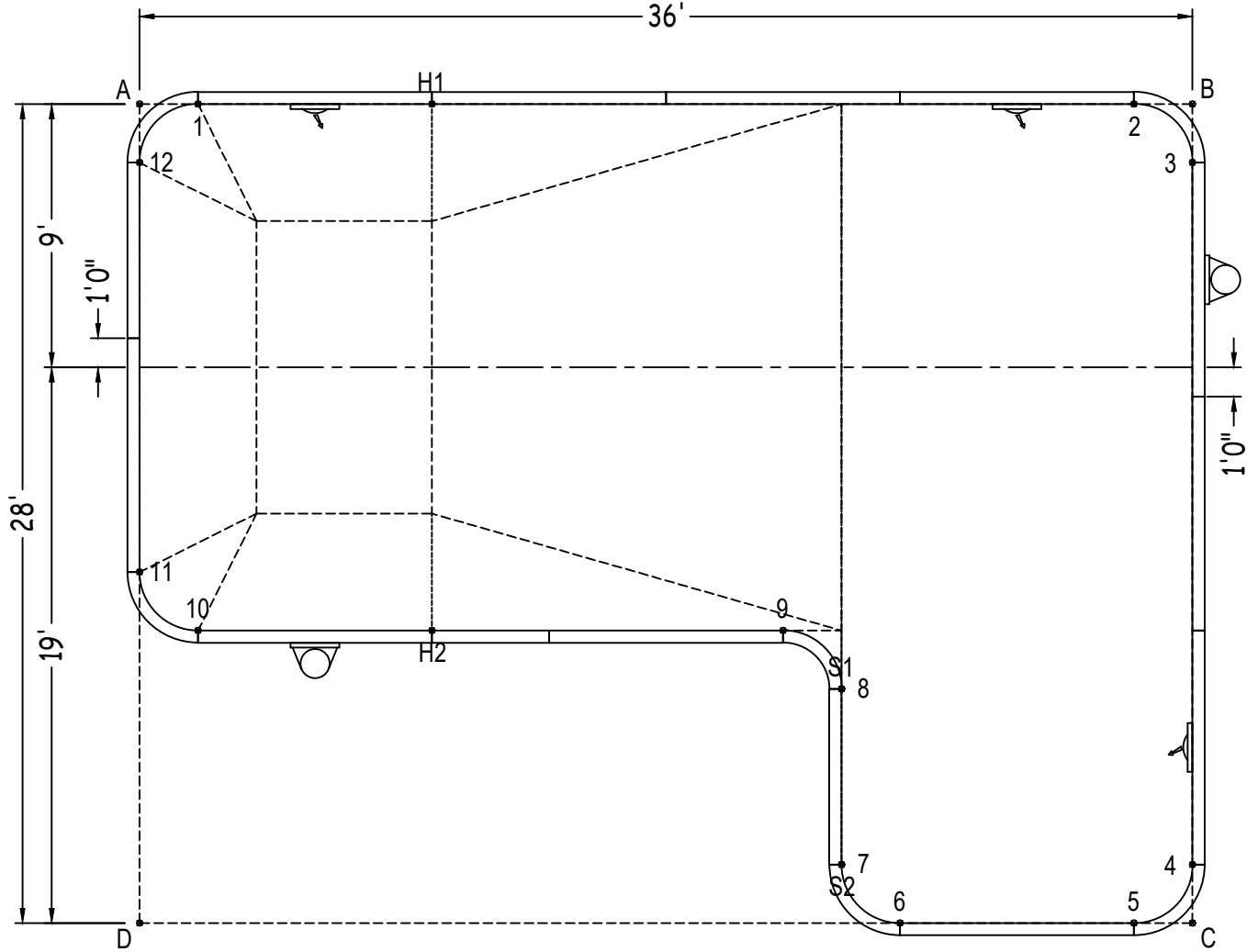
JOB NAME: USSL24S1836L16

ALL ASPECTS OF THIS DRAWING COMPLIES WITH ANSI/APSP/ICC-5 2011 AND 2015 ISPSC



| | | | | | | | | | | | |
|-----------|-------------|------------|-------------|----------|-------------|-------------|------------|------------|-------------|----------|------------|
| Diagonals | 1 to 8 | 29'-8 3/4" | 2 to 11 | 37'-7" | 4 to 7 | 12'-0" | 6 to 7 | 2'-10" | 8 to 11 | 24'-4" | |
| S1 to S2 | 1 to 9 | 26'-11" | 2 to 12 | 34'-3/4" | 4 to 8 | 13'-5" | 6 to 8 | 8'-3" | 8 to 12 | 30'-0" | |
| H1 to H2 | 1 to 10 | 18'-0" | 3 to 4 | 24'-0" | 4 to 9 | 16'-1 1/2" | 6 to 9 | 10'-9 1/4" | 9 to 10 | 20'-0" | |
| S1 to H1 | 1 to 11 | 16'-1 1/2" | 3 to 5 | 26'-1" | 4 to 10 | 34'-11 1/4" | 6 to 10 | 26'-0" | 9 to 11 | 22'-1" | |
| S2 to H2 | 16'-1 1/2" | 1 to 12 | 2'-10" | 3 to 6 | 27'-10 1/4" | 4 to 11 | 37'-4 1/4" | 6 to 11 | 28'-7 3/4" | 9 to 12 | 27'-2 1/2" |
| S1 to H2 | 14'-1 3/4" | 2 to 3 | 2'-10" | 3 to 7 | 26'-10" | 4 to 12 | 43'-3 1/4" | 6 to 12 | 36'-9 1/4" | 10 to 11 | 2'-10" |
| H1 to S2 | 29'-6 1/4" | 2 to 4 | 26'-1" | 3 to 8 | 21'-7 1/2" | 5 to 6 | 8'-0" | 7 to 8 | 6'-0" | 10 to 12 | 16'-1 1/2" |
| 1 to 2 | 32'-0" | 2 to 5 | 28'-0" | 3 to 9 | 21'-3" | 5 to 7 | 10'-2 1/2" | 7 to 9 | 8'-3" | 11 to 12 | 14'-0" |
| 1 to 3 | 34'-3/4" | 2 to 6 | 29'-1 1/2" | 3 to 10 | 37'-7" | 5 to 8 | 12'-9 3/4" | 7 to 10 | 23'-5" | | |
| 1 to 4 | 42'-9 1/2" | 2 to 7 | 27'-10 1/4" | 3 to 11 | 38'-7 1/2" | 5 to 9 | 15'-7 1/2" | 7 to 11 | 26'-0" | | |
| 1 to 5 | 42'-6 1/4" | 2 to 8 | 22'-4 1/4" | 3 to 12 | 36'-0" | 5 to 10 | 33'-6 1/4" | 7 to 12 | 33'-11 1/4" | | |
| 1 to 6 | 36'-10 1/2" | 2 to 9 | 21'-7 1/2" | 4 to 5 | 2'-10" | 5 to 11 | 36'-3/4" | 8 to 9 | 2'-10" | | |
| 1 to 7 | 34'-3/4" | 2 to 10 | 36'-8 1/2" | 4 to 6 | 10'-2 1/2" | 5 to 12 | 42'-9 1/2" | 8 to 10 | 22'-1" | | |

| | | Base |
|---------------|---------------------------------|-------------|
| Part number | Description | QTY |
| ST0960002X | 8' | 6 |
| ST0960002* | 8' SKIMMER | 2 |
| ST0960002* | 8' RETURN | 3 |
| ST0720001X | 6' | 2 |
| ST0480001X | 4' | 1 |
| CN0380241X | 2'Rx3'2" | 5 |
| CR0380240X | 2'RRx3'2" | 1 |
| Brace | Brace | 20 |
| IPC-STKPK25 | REBAR STAKE 18" 25PC | 2 |
| IPC-HDWSTR150 | BOLT STR 3/8-16X1" CW NUT 150PC | 2 |



| | A | B | C | D |
|----|------------|------------|-------------|------------|
| 1 | 2'-0" | 34'-0" | 44'- 1/2" | 28'- 3/4" |
| 2 | 34'-0" | 2'-0" | 28'- 3/4" | 44'- 1/2" |
| 3 | 36'- 3/4" | 2'-0" | 26'-0" | 44'-5" |
| 4 | 44'-5" | 26'-0" | 2'-0" | 36'- 3/4" |
| 5 | 44'- 1/2" | 28'- 3/4" | 2'-0" | 34'-0" |
| 6 | 38'-2 1/2" | 29'-8 3/4" | 10'-0" | 26'-0" |
| 7 | 35'-4 1/2" | 28'-7 3/4" | 12'-2" | 24'-1" |
| 8 | 31'-3" | 23'-4" | 14'-5" | 25'-3 1/2" |
| 9 | 28'-5" | 22'-9 3/4" | 17'-2 1/2" | 24'-2" |
| 10 | 18'-1 1/4" | 38'-5 3/4" | 35'-5 1/4" | 10'-2 1/2" |
| 11 | 16'-0" | 39'-4 3/4" | 37'-11 1/4" | 12'-0" |
| 12 | 2'-0" | 36'- 3/4" | 44'-5" | 26'-0" |
| S2 | 35'-4 1/2" | 28'-7 3/4" | 12'-2" | 24'-1" |
| S1 | 31'-3" | 23'-4" | 14'-5" | 25'-3 1/2" |
| H2 | 20'-7" | 31'-7 1/2" | 27'-10 1/4" | 14'-1 3/4" |
| H1 | 10'-0" | 26'-0" | 38'-2 1/2" | 29'-8 3/4" |
| A | - | 36'-0" | 45'-7 1/4" | 28'-0" |