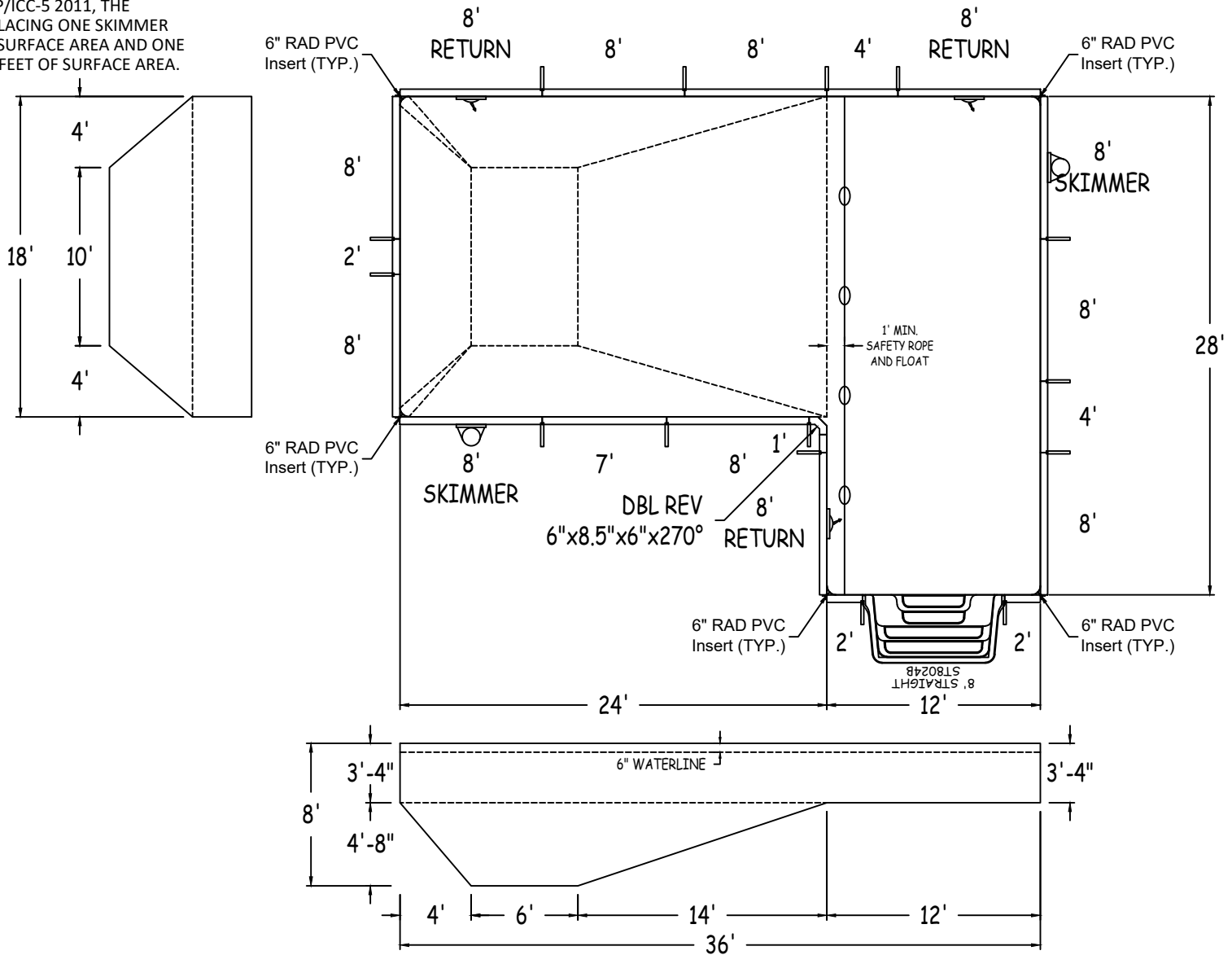


IN ACCORDANCE WITH ANSI/APSP/ICC-5 2011, THE INSTALLER IS RESPONSIBLE FOR PLACING ONE SKIMMER FOR EVERY 800 SQUARE FEET OF SURFACE AREA AND ONE RETURN FOR EVERY 300 SQUARE FEET OF SURFACE AREA.



<b>LATHAM STEEL</b>	<b>FULL-L 6IN RAD 18-0 x 28-0 x 36-0 LEFT</b>				
42" STEEL PANELS	PERIMETER:	127'-8"	VOLUME (US Gal):	25200	
DWG#:	SURFACE (ft²):	768	VOLUME (Liters):	95400	
<b>2024-SPL-08609</b>	LINER (ft²):	768	DATE:	3/6/2024	
KIT#:	CUSTOMKIT	COVER (ft²):	900	SCALE:	N/A

**ALWAYS ENTER POOL**

Feet First

DIVING/SLIDING EQUIPMENT SHALL BE DESIGNED FOR SWIMMING POOLS AND SHALL BE INSTALLED IN ACCORDANCE WITH THE DIVING/SLIDING EQUIPMENT MANUFACTURER'S SPECIFICATIONS. PLEASE CONTACT THE DIVING/SLIDING EQUIPMENT MANUFACTURER FOR THEIR SPECIFICATIONS.

ALL ASPECTS OF THIS DRAWING COMPLIES WITH ANSI/APSP/ICC-5 2011 AND 2015 ISPSC

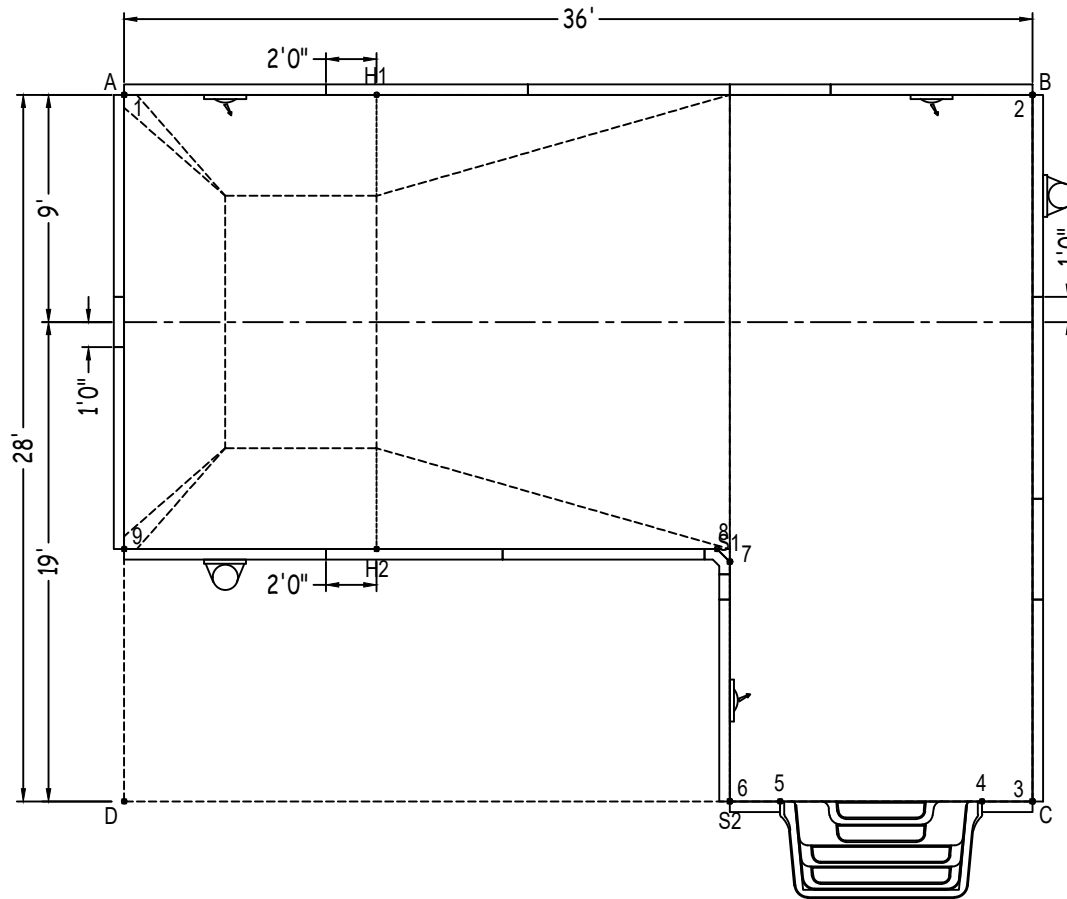
CUSTOMER: SCP/OLIVE BRANCH

JOB NAME: USSLO6S1836L16



Diagonals	2 to 6	30'-5 1/2"	5 to 9	27'-10 1/4"	
S1 to S2	9'-6"	2 to 7	22'-1 1/2"	6 to 7	9'-6"
H1 to H2	18'-0"	2 to 8	21'-11"	6 to 8	10'- 1/4"
S1 to H1	23'-2 1/2"	2 to 9	40'-3"	6 to 9	26'-0"
S2 to H2	17'-2 1/2"	3 to 4	2'-0"	7 to 8	8 1/2"
S1 to H2	14'-0"	3 to 5	10'-0"	7 to 9	24'-0"
H1 to S2	31'-3 3/4"	3 to 6	12'-0"	8 to 9	23'-6"
1 to 2	36'-0"	3 to 7	15'-3 3/4"		
1 to 3	45'-7 1/4"	3 to 8	16'-0"		
1 to 4	44'- 1/2"	3 to 9	37'-4 1/4"		
1 to 5	38'-2 1/2"	4 to 5	8'-0"		
1 to 6	36'-10 1/2"	4 to 6	10'-0"		
1 to 7	30'-3 3/4"	4 to 7	13'-9 1/2"		
1 to 8	29'-7 1/4"	4 to 8	14'-6"		
1 to 9	18'-0"	4 to 9	35'-5 1/4"		
2 to 3	28'-0"	5 to 6	2'-0"		
2 to 4	28'- 3/4"	5 to 7	9'-8 1/2"		
2 to 5	29'-8 3/4"	5 to 8	10'-3 3/4"		

		Base
Part number	Description	QTY
ST0960002X	8'	7
ST0960002*	8' SKIMMER	2
ST0960002*	8' RETURN	3
ST0840002X	7'	1
ST0480001X	4'	2
ST0240000X	2'	3
ST0120000X	1'	1
DR06090690	DBL REV 6"x8.5"x6"x270°	1
Brace	Brace	15
IPC-AB90	CONNECTOR CNR ANGLE 90D 42"	5
IPC-AB90-INS6R	CORNER INSERT 6" RAD PVC 42"	5
IPC-STKPK25	REBAR STAKE 18" 25PC	2
IPC-HDWSTRT150	BOLT STR 3/8-16X1" C/W NUT 150PC	2
ST8024B	THICKSHEET STEP STR SIT N STEP 8'	1



	A	B	C	D
1	0"	36'-0"	45'-7 1/4"	28'-0"
2	36'-0"	0"	28'-0"	45'-7 1/4"
3	45'-7 1/4"	28'-0"	0"	36'-0"
4	44'- 1/2"	28'- 3/4"	2'-0"	34'-0"
5	38'-2 1/2"	29'-8 3/4"	10'-0"	26'-0"
6	36'-10 1/2"	30'-5 1/2"	12'-0"	24'-0"
7	30'-3 3/4"	22'- 1/2"	15'-3 3/4"	25'-9 3/4"
8	29'-7 1/4"	21'-11"	16'-0"	25'-6 1/2"
9	18'-0"	40'-3"	37'-4 1/4"	10'-0"
S2	36'-10 1/2"	30'-5 1/2"	12'-0"	24'-0"
S1	30'-3 3/4"	22'- 1/2"	15'-3 3/4"	25'-9 3/4"
H2	20'-7"	31'-7 1/2"	27'-10 1/4"	14'-1 3/4"
H1	10'-0"	26'-0"	38'-2 1/2"	29'-8 3/4"
A	-	36'-0"	45'-7 1/4"	28'-0"