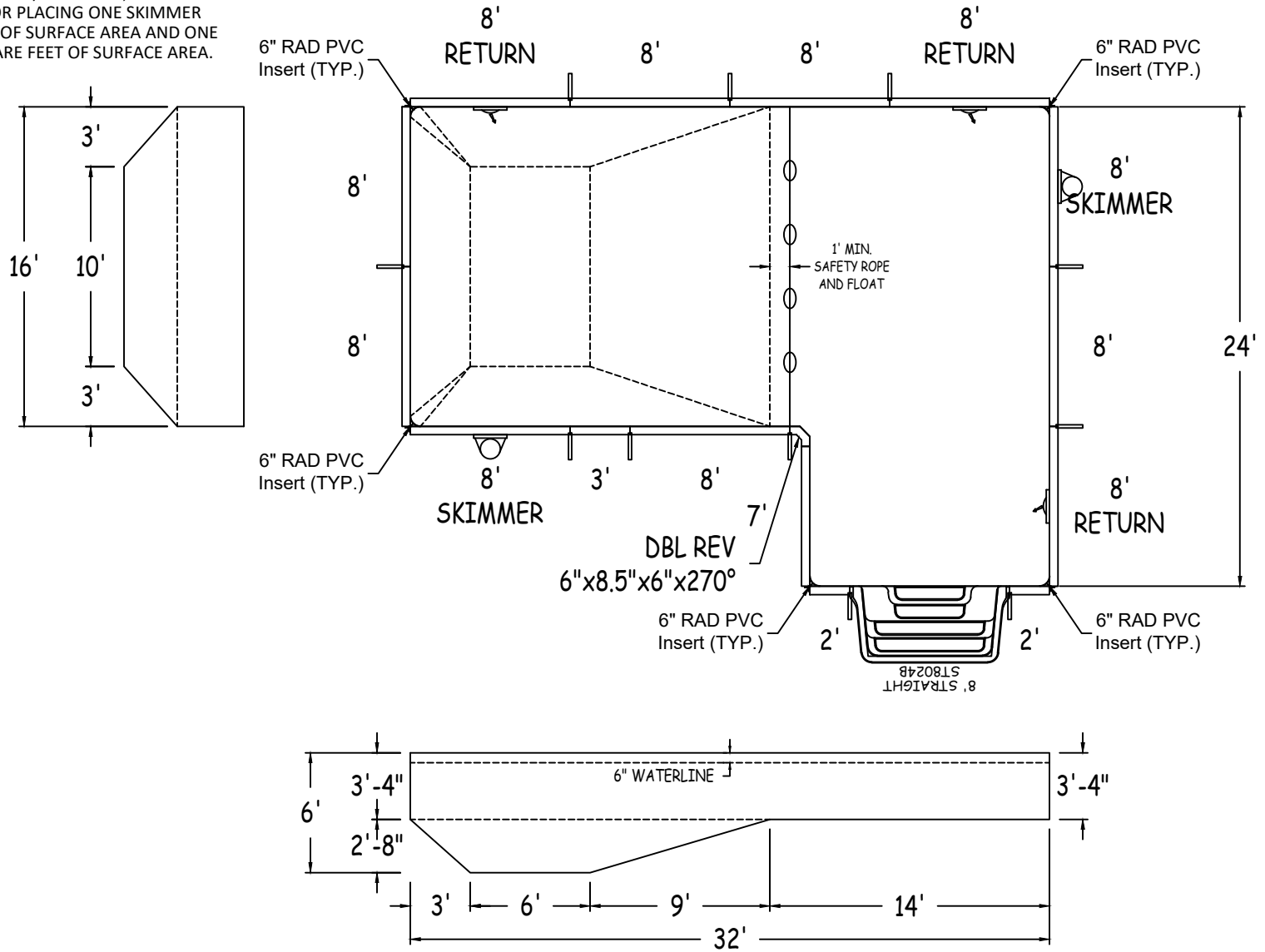


IN ACCORDANCE WITH ANSI/APSP/ICC-5 2011, THE INSTALLER IS RESPONSIBLE FOR PLACING ONE SKIMMER FOR EVERY 800 SQUARE FEET OF SURFACE AREA AND ONE RETURN FOR EVERY 300 SQUARE FEET OF SURFACE AREA.



LATHAM STEEL
 42" STEEL PANELS
 DWG#: 2024-SPL-08608
 KIT#: CUSTOMKIT

FULL-L 6IN RAD 16-0 x 24-0 x 32-0 LEFT			
PERIMETER:	111'-8"	VOLUME (US Gal):	16900
SURFACE (ft²):	608	VOLUME (Liters):	64000
LINER (ft²):	608	DATE:	3/6/2024
COVER (ft²):	724	DSR:	
SCALE:	1/8" = 1'-0"		

ALWAYS ENTER POOL

NON-DIVING POOL

USE OF DIVING EQUIPMENT IS PROHIBITED

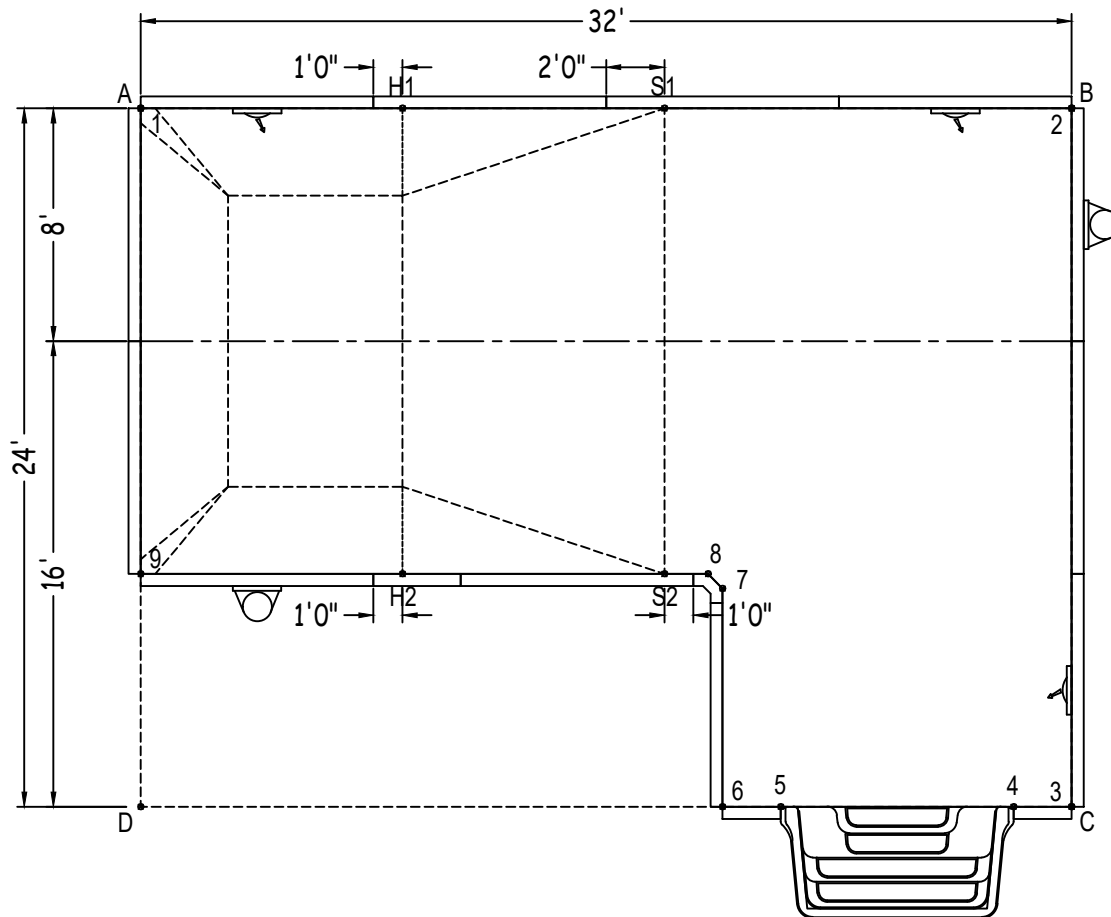
ALL ASPECTS OF THIS DRAWING COMPLIES WITH ANSI/APSP/ICC-5 2011 AND 2015 ISPSC

CUSTOMER: SCP/OLIVE BRANCH
 JOB NAME: USSLO6S1632L16



Diagonals	2 to 6	26'-10"	5 to 9	23'-5"
S1toS2	2 to 7	20'-4 3/4"	6 to 7	7'-6"
H1toH2	2 to 8	20'-3 3/4"	6 to 8	8'- 1/4"
S1toH1	2 to 9	35'-9 1/4"	6 to 9	21'-6 1/2"
S2toH2	3 to 4	2'-0"	7 to 8	8 1/2"
S1toH2	3 to 5	10'-0"	7 to 9	20'-0"
H1toS2	3 to 6	12'-0"	8 to 9	19'-6"
1 to 2	3 to 7	14'-1 3/4"		
1 to 3	3 to 8	14'-10"		
1 to 4	3 to 9	32'-11 3/4"		
1 to 5	4 to 5	8'-0"		
1 to 6	4 to 6	10'-0"		
1 to 7	4 to 7	12'-6"		
1 to 8	4 to 8	13'-2 1/2"		
1 to 9	4 to 9	31'- 1/2"		
2 to 3	5 to 6	2'-0"		
2 to 4	5 to 7	7'-9 1/4"		
2 to 5	5 to 8	8'-4 1/2"		

		Base
Part number	Description	QTY
ST0960002X	8'	6
ST0960002*	8' SKIMMER	2
ST0960002*	8' RETURN	3
ST0840002X	7'	1
ST0360000X	3'	1
ST0240000X	2'	2
DR06090690	DBL REV 6"x8.5"x6"x270°	1
Brace	Brace	11
IPC-AB90	CONNECTOR CNR ANGLE 90D 42°	5
IPC-AB90-INS6R	CORNER INSERT 6" RAD PVC 42°	5
IPC-STKPK25	REBAR STAKE 18" 25PC	2
IPC-HDWSTR150	BOLT STR 3/8-16X1" C/W NUT 150PC	2
ST8024B	THICKSHEET STEP STR SIT N STEP 8'	1



	A	B	C	D
1	0"	32'-0"	40'-0"	24'-0"
2	32'-0"	0"	24'-0"	40'-0"
3	40'-0"	24'-0"	0"	32'-0"
4	38'-5"	24'-1"	2'-0"	30'-0"
5	32'-6 3/4"	26'-0"	10'-0"	22'-0"
6	31'-3"	26'-10"	12'-0"	20'-0"
7	25'-11 1/4"	20'-4 3/4"	14'-1 3/4"	21'-4 1/4"
8	25'-2 3/4"	20'-3 3/4"	14'-10"	21'-1"
9	16'-0"	35'-9 1/4"	32'-11 3/4"	8'-0"
S2	24'-1"	21'-3"	16'-1 1/2"	19'-8 1/4"
S1	18'-0"	14'-0"	27'-9 1/2"	30'-0"
H2	18'-4 1/4"	28'- 1/4"	24'-4 1/4"	12'- 1/2"
H1	9'-0"	23'-0"	33'-3"	25'-7 1/2"
A	-	32'-0"	40'-0"	24'-0"