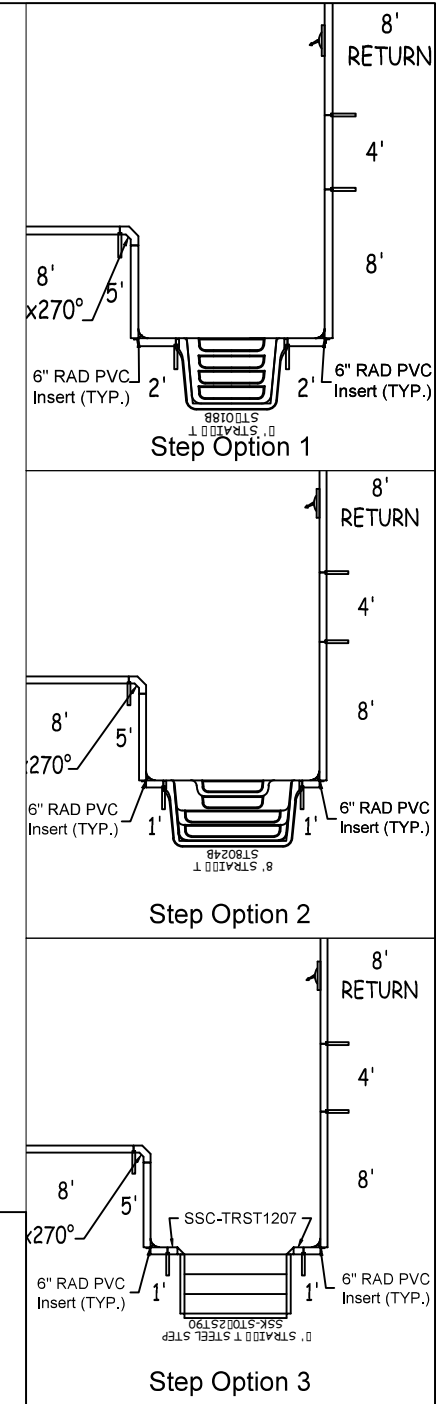
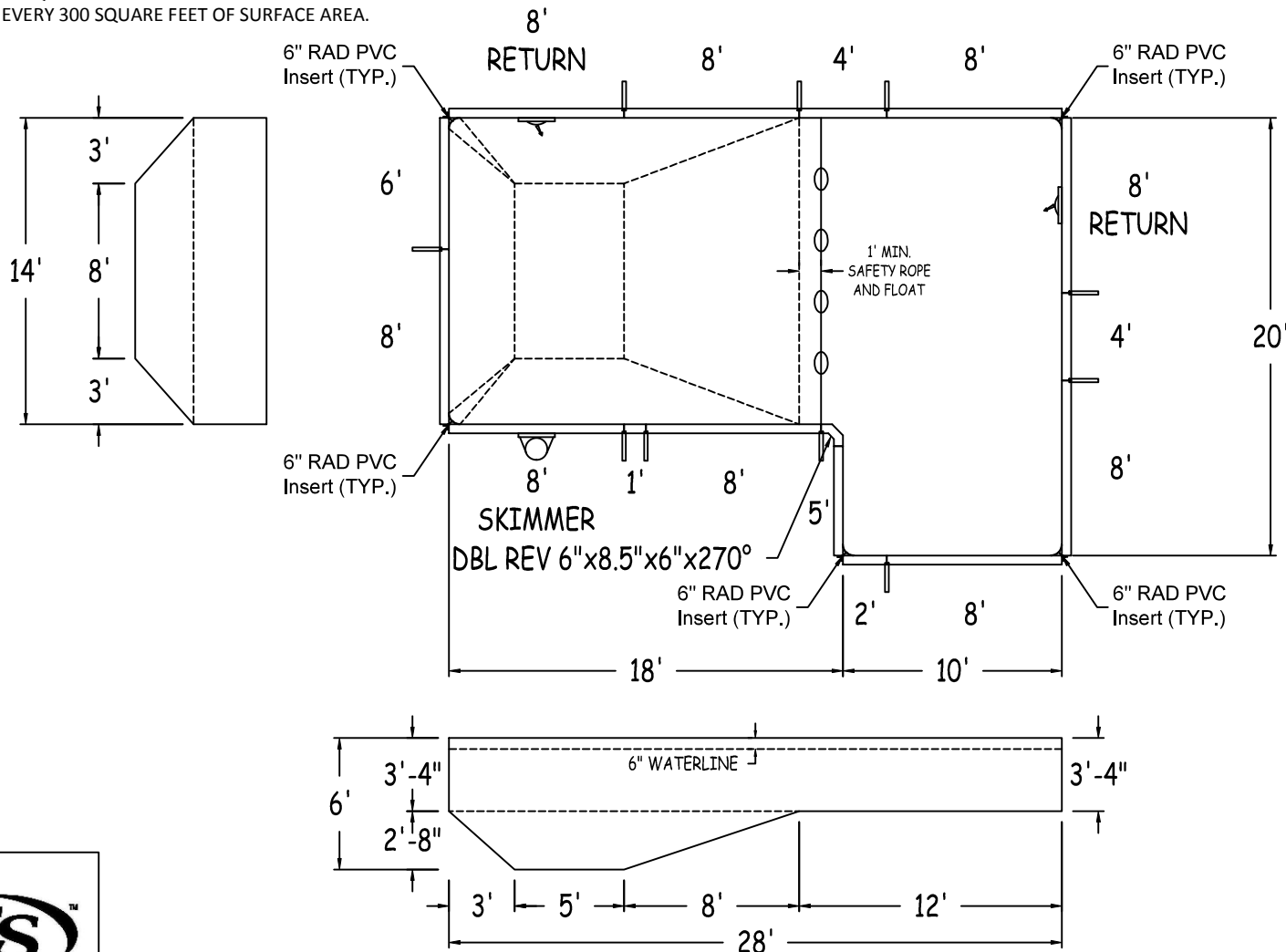


IN ACCORDANCE WITH ANSI/APSP/ICC-5 2011, THE INSTALLER IS RESPONSIBLE FOR PLACING ONE SKIMMER FOR EVERY 800 SQUARE FEET OF SURFACE AREA AND ONE RETURN FOR EVERY 300 SQUARE FEET OF SURFACE AREA.



<b>LATHAM STEEL</b>	<b>FULL-L-6IN RAD 14-0 X 20-0 X 28-0 LEFT</b>			
42" STEEL PANELS	PERIMETER:	95'-9"	VOLUME (US Gal):	12600
DWG#:	SURFACE (ft²):	452	VOLUME (Liters):	47700
<b>USSL06S1428L16</b>	LINER (ft²):	452	DATE:	1/1/2016
KIT#:	COVER (ft²):	552	DSR:	136
SL06S1428			SCALE:	1/8" = 1'-0"

ALWAYS ENTER POOL

**NON-DIVING POOL**

USE OF DIVING EQUIPMENT IS PROHIBITED

MEETS DEPTH AND SHAPE MINIMUM STANDARD ANSI/APSP/ICC-5 2011

**FULL-L-6IN RAD**

SHEET: 1 OF 2

