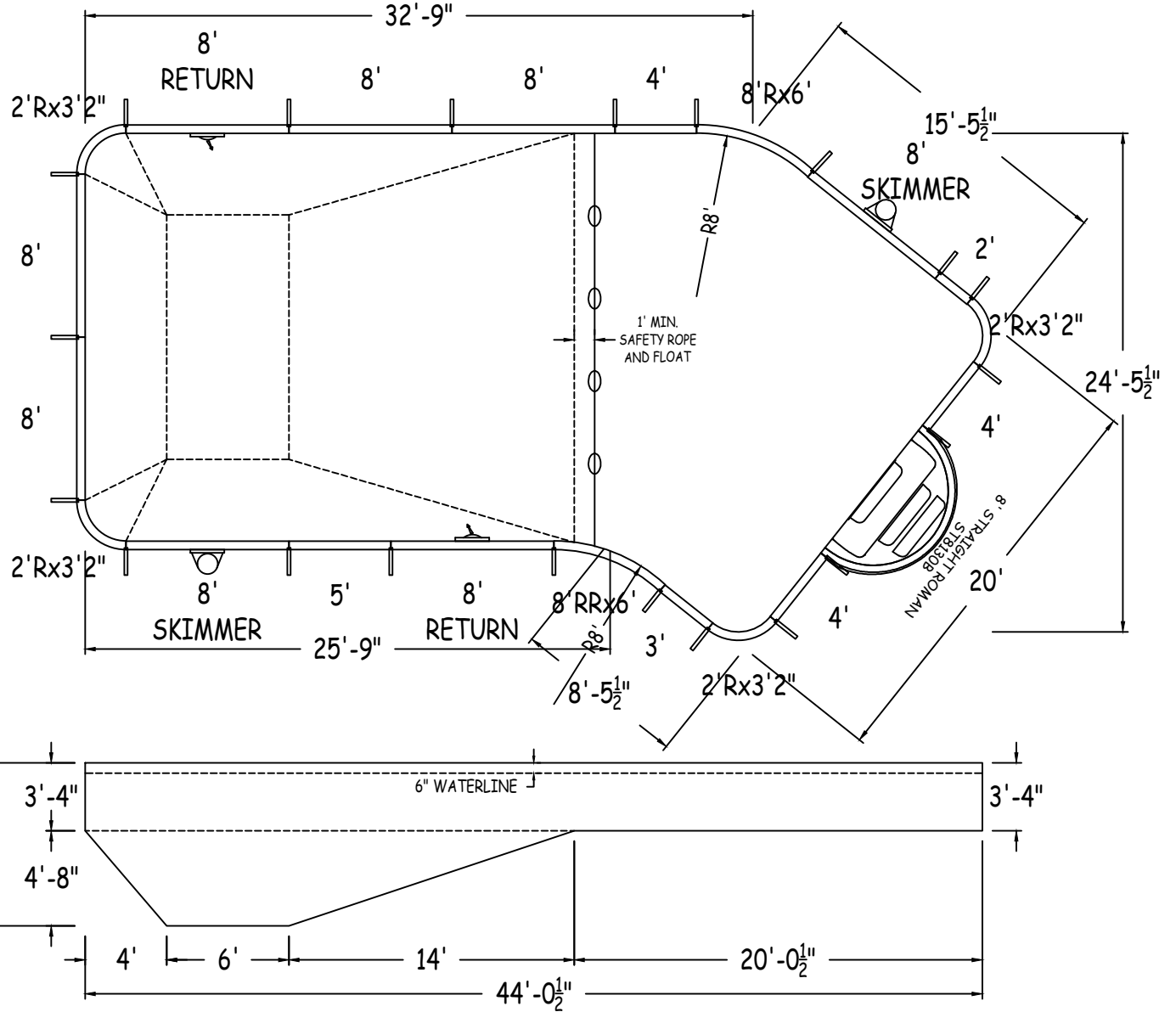
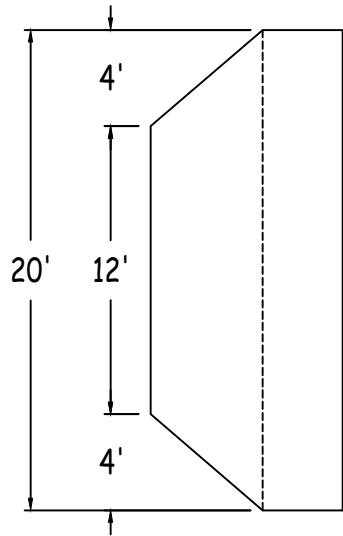


IN ACCORDANCE WITH ANSI/APSP/ICC-5 2011, THE INSTALLER IS RESPONSIBLE FOR PLACING ONE SKIMMER FOR EVERY 800 SQUARE FEET OF SURFACE AREA AND ONE RETURN FOR EVERY 300 SQUARE FEET OF SURFACE AREA.



LATHAM STEEL

LAZY-L-2FT RAD 20-0 x 24-6 x 44-0 LEFT

42" STEEL PANELS

PERIMETER: 118'-7" VOLUME (US Gal): 26900

DWG#: 2024-SPL-07589

SURFACE (ft²): 821 VOLUME (Liters): 101800

KIT#: CUSTOMKIT

LINER (ft²): 824 DATE: 2/29/2024 DSR:

COVER (ft²): 951

SCALE: 1/8" = 1'-0"



DIVING/SLIDING EQUIPMENT SHALL BE DESIGNED FOR SWIMMING POOLS AND SHALL BE INSTALLED IN ACCORDANCE WITH THE DIVING/SLIDING EQUIPMENT MANUFACTURER'S SPECIFICATIONS. PLEASE CONTACT THE DIVING/SLIDING EQUIPMENT MANUFACTURER FOR THEIR SPECIFICATIONS.

CUSTOMER: SCP/OLIVE BRANCH

JOB NAME: ROYAL SWIMMING POOLS/20X44

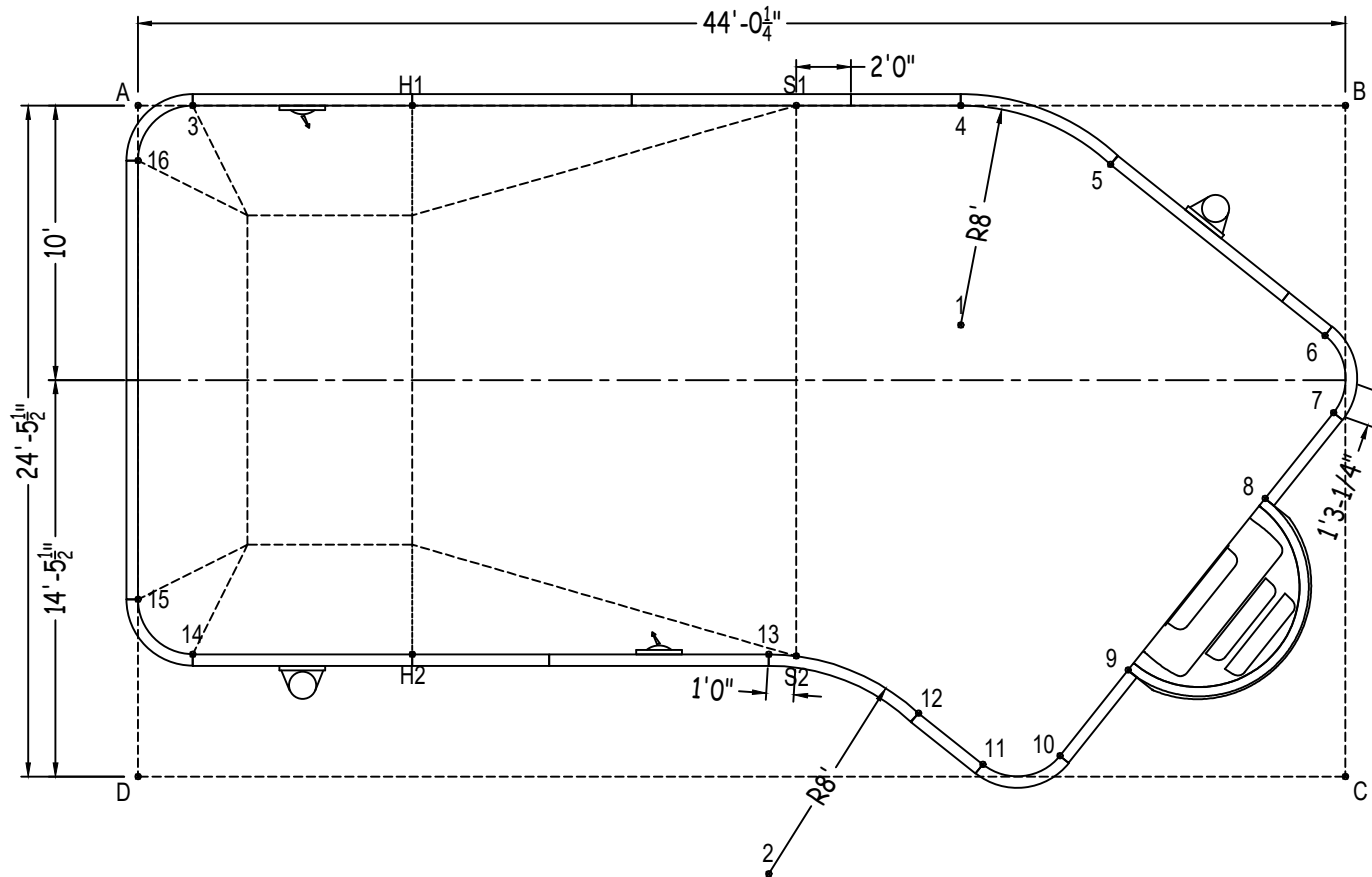
ALL ASPECTS OF THIS DRAWING COMPLIES WITH ANSI/APSP/ICC-5 2011 AND 2015 ISPSC

LAZY-L-2FT RAD

SHEET: 1 OF 2

Center To Center	3 to 12	34'-6"	5 to 6	10'-0"	6 to 13	23'-4 1/4"	8 to 13	18'-11 1/2"	11 to 12	3'-0"	
1 to 2	21'-2 1/4"	3 to 13	29'-0"	5 to 7	12'-2"	6 to 14	42'-10 1/2"	8 to 14	39'-6"	11 to 13	8'-9 1/4"
Diagonals	3 to 14	20'-0"	5 to 8	13'-5"	6 to 15	44'-4"	8 to 15	41'-3"	11 to 14	29'-1"	
S1 to S2	20'-3/4"	3 to 15	18'-1 1/4"	5 to 9	18'-5 1/4"	6 to 16	43'-8 3/4"	8 to 16	42'-10 3/4"	11 to 15	31'-4 1/2"
H1 to H2	20'-0"	3 to 16	2'-10"	5 to 10	21'-7 1/2"	7 to 8	4'-0"	9 to 10	4'-0"	11 to 16	37'-10 1/4"
S1 to H1	14'-0"	4 to 5	5'-10 1/4"	5 to 11	22'-4 1/4"	7 to 9	12'-0"	9 to 11	6'-4"	12 to 13	5'-10 1/4"
S2 to H2	14'-0"	4 to 6	15'-8 1/4"	5 to 12	21'-2 1/4"	7 to 10	16'-0"	9 to 12	7'-9 3/4"	12 to 14	26'-6 1/2"
S1 to H2	24'-5"	4 to 7	17'-7 1/4"	5 to 13	21'-9 1/4"	7 to 11	18'-1 1/4"	9 to 13	13'-1 1/2"	12 to 15	28'-9"
H1 to S2	24'-5 1/2"	4 to 8	18'-1 1/4"	5 to 14	37'-11"	7 to 12	18'-8 1/4"	9 to 14	34'-1 1/4"	12 to 16	34'-10 1/4"
3 to 4	28'-0"	4 to 9	21'-5 1/2"	5 to 15	38'-10"	7 to 13	22'-4 3/4"	9 to 15	36'-2 1/4"	13 to 14	21'-0"
3 to 5	33'-6 1/4"	4 to 10	23'-11 3/4"	5 to 16	35'-5 1/2"	7 to 14	42'-6"	9 to 16	40'-7 1/4"	13 to 15	23'-1"
3 to 6	42'-1 1/4"	4 to 11	24'-1/4"	6 to 7	2'-10"	7 to 15	44'-1 1/2"	10 to 11	2'-10"	13 to 16	29'-2 1/2"
3 to 7	43'-3/4"	4 to 12	22'-2 1/2"	6 to 8	6'-4"	7 to 16	44'-6 1/2"	10 to 12	5'-4 1/2"	14 to 15	2'-10"
3 to 8	41'-7 1/2"	4 to 13	21'-2 1/4"	6 to 9	14'-1 3/4"	8 to 9	8'-0"	10 to 13	11'-2 3/4"	14 to 16	18'-1 1/4"
3 to 9	39'-10"	4 to 14	34'-5"	6 to 10	18'-1 1/4"	8 to 10	12'-0"	10 to 14	31'-10"	15 to 16	16'-0"
3 to 10	39'-6"	4 to 15	34'-11 3/4"	6 to 11	20'-0"	8 to 11	14'-1 3/4"	10 to 15	34'-1"		
3 to 11	37'-6"	4 to 16	30'-3/4"	6 to 12	20'-2 3/4"	8 to 12	14'-10 1/2"	10 to 16	40'-0"		

		Base
Part number	Description	QTY
ST0960002X	8'	4
ST0960002*	8' SKIMMER	2
ST0960002*	8' RETURN	2
ST0600001X	5'	1
ST0480001X	4'	3
ST0360000X	3'	1
ST0240000X	2'	1
RA0720961X	8'Rx6'	1
RR0720961X	8'RRx6'	1
CN0380241X	2'Rx3'2"	4
Brace		21
IPC-STKPK25	REBAR STAKE 18" 25PC	2
IPC-HDWSTRT150	BOLT STR 3/8-16X1" C/W NUT 150PC	2
ST8130B	THICKSHEET STEP STR ROMAN 8'	1
CAW-CLIP-1	Coping Clip	20
COP-TSPK100	Tek Screw (100/PKG)	2
CAW-CN038024-1	CP2 WHT CN RAD L3'2"XR2' 1PC	4
CAW-ST144000-1	CP2 WHT STRT 12' 1PC	8
CAW-RA096096-1	CP2 WHT RAD L8'XR8' 1PC	1
CAW-RR072096-1	CP2 WHT REV RAD L6'XR8' 1PC	1



	A	B	C	D
1	31'-1/2"	16'-1 3/4"	21'-7 1/2"	34'-2 1/2"
2	36'-2 3/4"	35'-1/4"	21'-3 3/4"	23'-3 1/4"
3	2'-0"	42'-1/4"	48'-7 1/2"	24'-6 1/2"
4	30'-0"	14'-1/4"	28'-2 1/4"	38'-8 1/2"
5	35'-6 1/4"	8'-10"	23'-10 3/4"	41'-10 3/4"
6	44'-1"	8'-5"	16'-1"	46'-2"
7	45'-0"	11'-2 1/2"	13'-3 1/4"	45'-6 3/4"
8	43'-6 1/4"	14'-7 1/2"	10'-6 1/2"	42'-4"
9	41'-6 3/4"	22'-1/2"	8'-9 3/4"	36'-3 3/4"
10	41'-1 1/2"	25'-10 3/4"	10'-5 1/4"	33'-7 1/2"
11	39'-3/4"	27'-5"	13'-2 3/4"	30'-9 1/2"
12	36'-3/4"	27'-3/4"	15'-9"	28'-6 1/2"
13	30'-5 3/4"	29'-1/4"	21'-6"	23'-5 1/4"
14	20'-1 1/4"	46'-6 1/2"	42'-3"	4'-10 1/2"
15	18'-0"	47'-6 3/4"	44'-6"	6'-5 1/2"
16	2'-0"	44'-3/4"	49'-5"	22'-5 1/2"
S2	31'-3 1/4"	28'-4 1/4"	20'-6"	24'-4 3/4"
S1	24'-0"	20'-1/4"	31'-7 1/4"	34'-3 1/4"
H2	22'-4 1/4"	39'-5 1/2"	34'-3 3/4"	10'-11 1/4"
H1	10'-0"	34'-1/4"	41'-10 3/4"	26'-5"
A	-	44'-1/4"	50'-4 1/4"	24'-5 1/2"