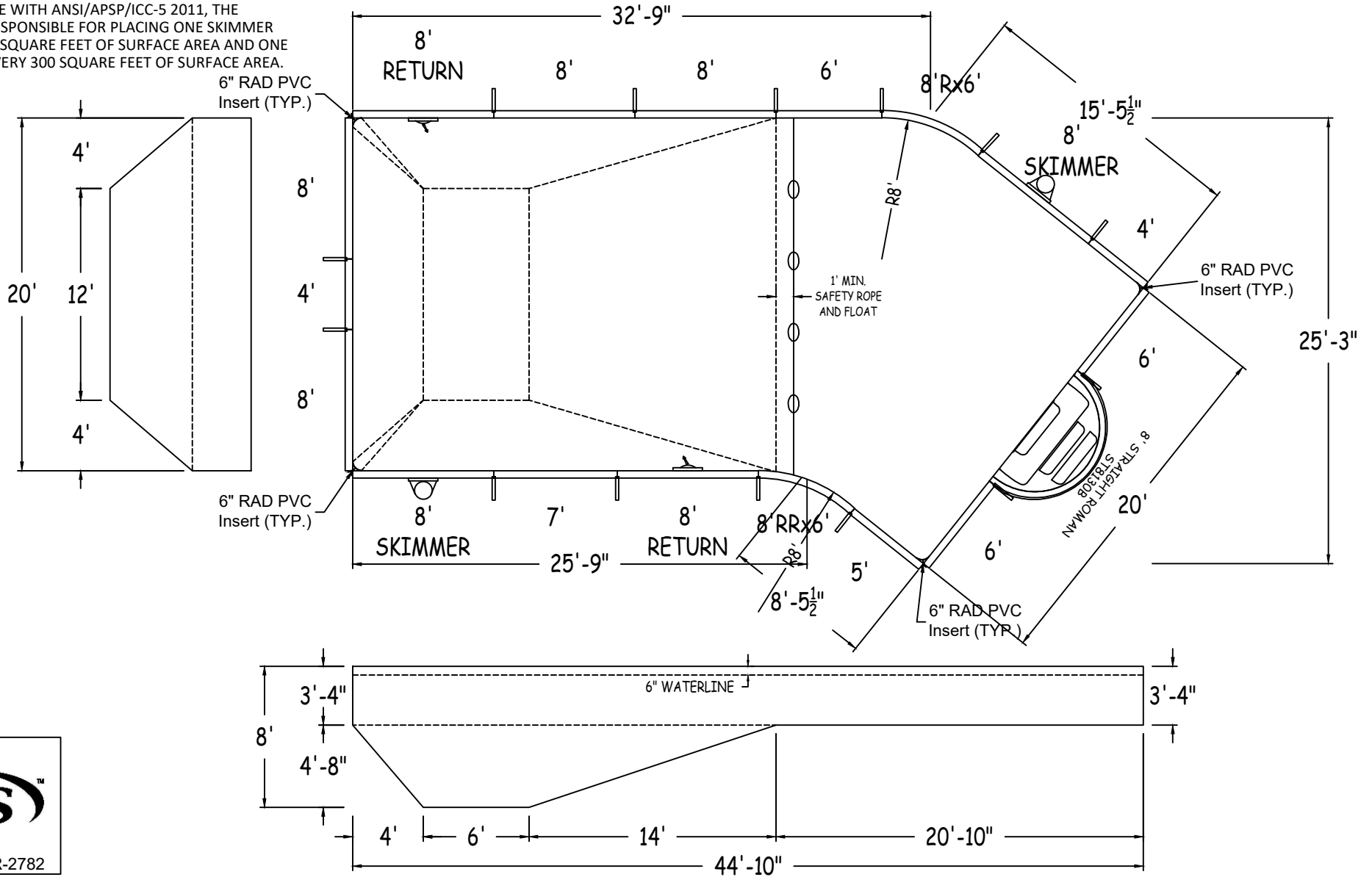


IN ACCORDANCE WITH ANSI/APSP/ICC-5 2011, THE INSTALLER IS RESPONSIBLE FOR PLACING ONE SKIMMER FOR EVERY 800 SQUARE FEET OF SURFACE AREA AND ONE RETURN FOR EVERY 300 SQUARE FEET OF SURFACE AREA.



**LATHAM STEEL**

**LAZY-L-6IN RAD 20-0 x 25-3 x 44-10 LEFT**

42" STEEL PANELS

PERIMETER: 122'-0" VOLUME (US Gal): 27100

DWG#: 2024-SPL-07590

SURFACE (ft²): 824 VOLUME (Liters): 102600

KIT#: CUSTOMKIT

LINER (ft²): 824 DATE: 2/29/2024 DSR:

COVER (ft²): 951

SCALE: 1/8" = 1'-0"



DIVING/SLIDING EQUIPMENT SHALL BE DESIGNED FOR SWIMMING POOLS AND SHALL BE INSTALLED IN ACCORDANCE WITH THE DIVING/SLIDING EQUIPMENT MANUFACTURER'S SPECIFICATIONS. PLEASE CONTACT THE DIVING/SLIDING EQUIPMENT MANUFACTURER FOR THEIR SPECIFICATIONS.

CUSTOMER: SCP/OLIVE BRANCH

JOB NAME: ROYAL SWIMMING POOLS/20X44 W/6"R

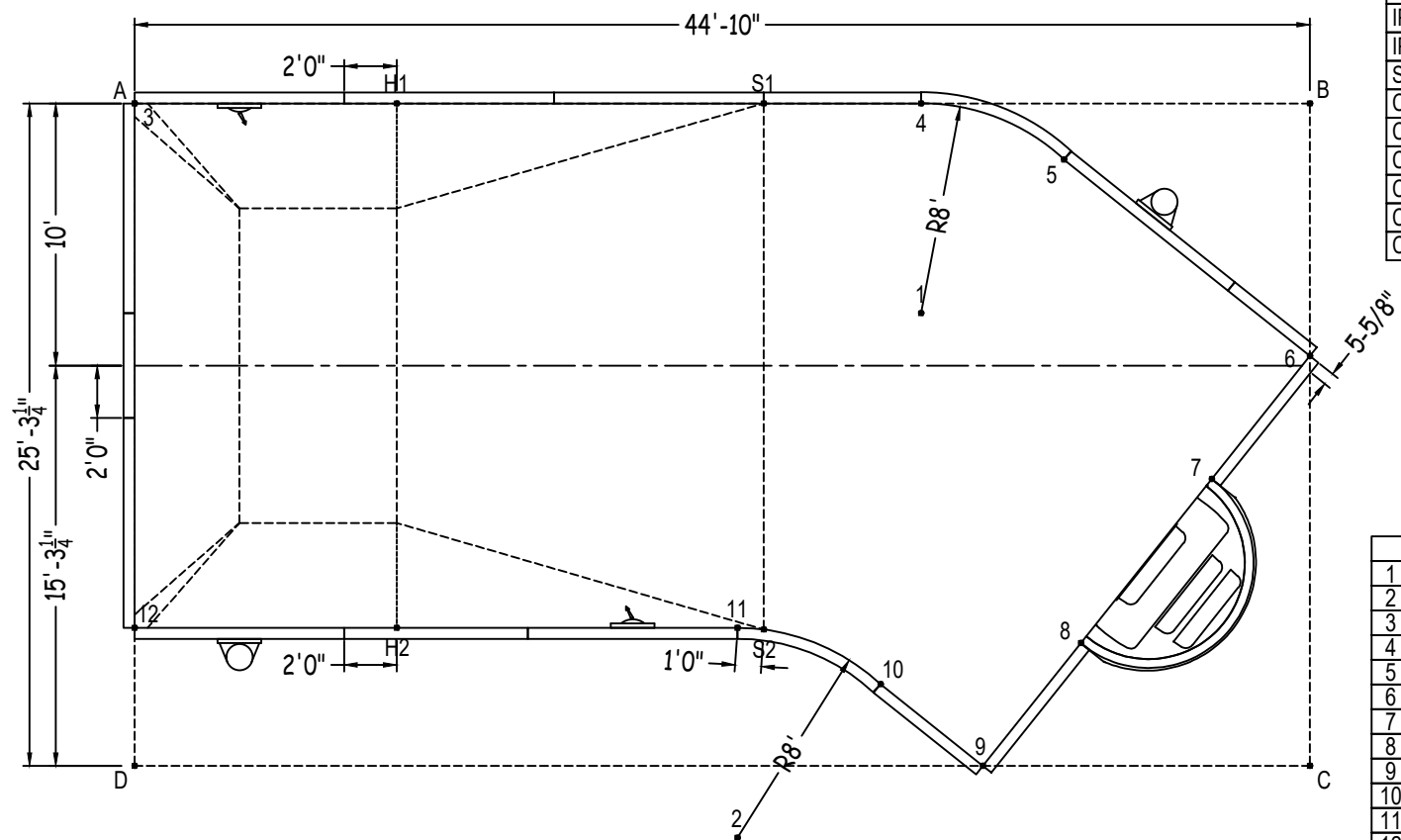
ALL ASPECTS OF THIS DRAWING COMPLIES WITH ANSI/APSP/ICC-5 2011 AND 2015 ISPSC

**LAZY-L-6IN RAD**

SHEET: 1 OF 2

Center To Center	3 to 4	30'-0"	4 to 5	5'-10 1/4"	5 to 7	13'-5"	6 to 10	20'-7 1/2"	8 to 10	7'-9 3/4"	
1 to 2	21'-2 1/4"	3 to 5	35'-6 1/4"	4 to 6	17'-8 1/4"	5 to 8	18'-5 1/4"	6 to 11	24'-2"	8 to 11	13'-1 1/2"
Diagonals	3 to 6	45'-10 1/4"	4 to 7	18'-1 1/4"	5 to 9	23'-4"	6 to 12	46'-1/4"	8 to 12	36'-1 1/4"	
S1 to S2	20'-3/4"	3 to 7	43'-6 1/4"	4 to 8	21'-5 1/2"	5 to 10	21'-2 1/4"	7 to 8	8'-0"	9 to 10	5'-0"
H1 to H2	20'-0"	3 to 8	41'-6 3/4"	4 to 9	25'-4 1/2"	5 to 11	21'-9 1/4"	7 to 9	14'-0"	9 to 11	10'-9"
S1 to H1	14'-0"	3 to 9	41'-3/4"	4 to 10	22'-2 1/2"	5 to 12	39'-8 1/4"	7 to 10	14'-10 1/2"	9 to 12	32'-9 1/2"
S2 to H2	14'-0"	3 to 10	36'-3/4"	4 to 11	21'-2 1/4"	6 to 7	6'-0"	7 to 11	18'-11 1/2"	10 to 11	5'-10 1/4"
S1 to H2	24'-5"	3 to 11	30'-5 3/4"	4 to 12	36'-3/4"	6 to 8	14'-0"	7 to 12	41'-5 3/4"	10 to 12	28'-6 1/2"
H1 to S2	24'-5 1/2"	3 to 12	20'-0"	5 to 6	12'-0"	6 to 9	20'-0"	8 to 9	6'-0"	11 to 12	23'-0"

		Base
Part number	Description	QTY
ST0960002X	8'	4
ST0960002*	8' SKIMMER	2
ST0960002*	8' RETURN	2
ST0840002X	7'	1
ST0720001X	6'	3
ST0600001X	5'	1
ST0480001X	4'	2
RA0720961X	8'Rx6'	1
RR0720961X	8'RRx6'	1
Brace	Brace	14
IPC-AB90	CONNECTOR CNR ANGLE 90D 42"	4
IPC-AB90-INS6R	CORNER INSERT 6" RAD PVC 42"	4
IPC-STKPK25	REBAR STAKE 18" 25PC	2
IPC-HDWSTRT150	BOLT STR 3/8-16X1" C/W NUT 150PC	2
ST8130B	THICKSHEET STEP STR ROMAN 8'	1
CAW-CLIP-1	Coping Clip	20
COP-TSPK100	Tek Screw (100/PKG)	2
CAW-ST144000-1	CP2 WHT STRT 12' 1PC	8
CAW-RA096096-1	CP2 WHT RAD L8'XR8' 1PC	1
CAW-RR072096-1	CP2 WHT REV RAD L6'XR8' 1PC	1
CAW-CN000006-1	CP2 WHT CN RAD R6" 1PC	4



	A	B	C	D
1	31'-1/2"	16'-10 1/4"	22'-9 1/4"	34'-7 1/4"
2	36'-2 3/4"	35'-6"	22'-0"	23'-2"
3	0"	44'-10"	51'-5 1/2"	25'-3 1/4"
4	30'-0"	14'-10"	29'-3 1/2"	39'-2 3/4"
5	35'-6 1/4"	9'-7 1/2"	24'-11 1/2"	42'-4"
6	45'-10 1/4"	9'-7 1/2"	15'-7 1/2"	47'-5 3/4"
7	43'-6 1/4"	14'-9 1/2"	11'-6 3/4"	42'-6 1/4"
8	41'-6 3/4"	22'-4 1/4"	9'-11"	36'-5"
9	41'-3/4"	28'-2"	12'-5 3/4"	32'-4 1/4"
10	36'-3/4"	27'-6 1/2"	16'-8"	28'-7 1/2"
11	30'-5 3/4"	29'-7 1/4"	22'-5 1/2"	23'-7 1/4"
12	20'-0"	49'-1"	45'-1 3/4"	5'-3 1/4"
S2	31'-3 1/4"	28'-11"	21'-5 3/4"	24'-6 3/4"
S1	24'-0"	20'-10"	32'-9"	34'-10 1/4"
H2	22'-4 1/4"	40'-2"	35'-2 3/4"	11'-3 1/2"
H1	10'-0"	34'-10"	43'-1/2"	27'-2"
A	-	44'-10"	51'-5 1/2"	25'-3 1/4"