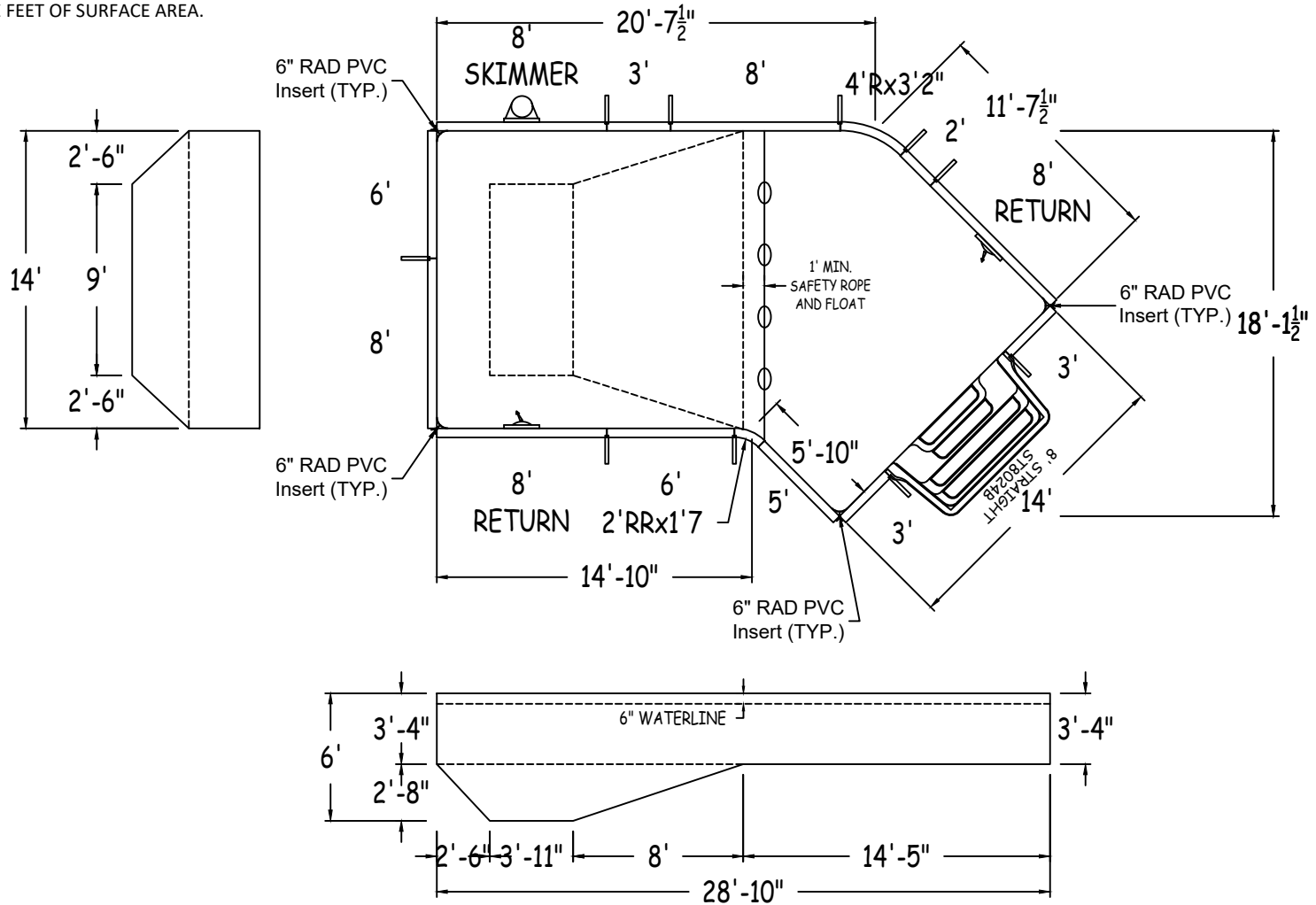


IN ACCORDANCE WITH ANSI/APSP/ICC-5 2011, THE INSTALLER IS RESPONSIBLE FOR PLACING ONE SKIMMER FOR EVERY 800 SQUARE FEET OF SURFACE AREA AND ONE RETURN FOR EVERY 300 SQUARE FEET OF SURFACE AREA.



LATHAM STEEL

LAZY-L-6IN RAD 6IN RAD 14-0 x 18-2 x 28-10 LEFT

42" STEEL PANELS

PERIMETER: 80'-8" VOLUME (US Gal): 10300

DWG#: 2024-SPL-05710

SURFACE (ft²): 370 VOLUME (Liters): 39000

KIT#: CUSTOMKIT

LINER (ft²): 370 DATE: 2/19/2024 DSR:

COVER (ft²): 455

SCALE: 1/8" = 1'-0"



NON-DIVING POOL

USE OF DIVING EQUIPMENT IS PROHIBITED

ALL ASPECTS OF THIS DRAWING COMPLIES WITH ANSI/APSP/ICC-5 2011 AND 2015 ISPSC

CUSTOMER: SCP/OLIVE BRANCH

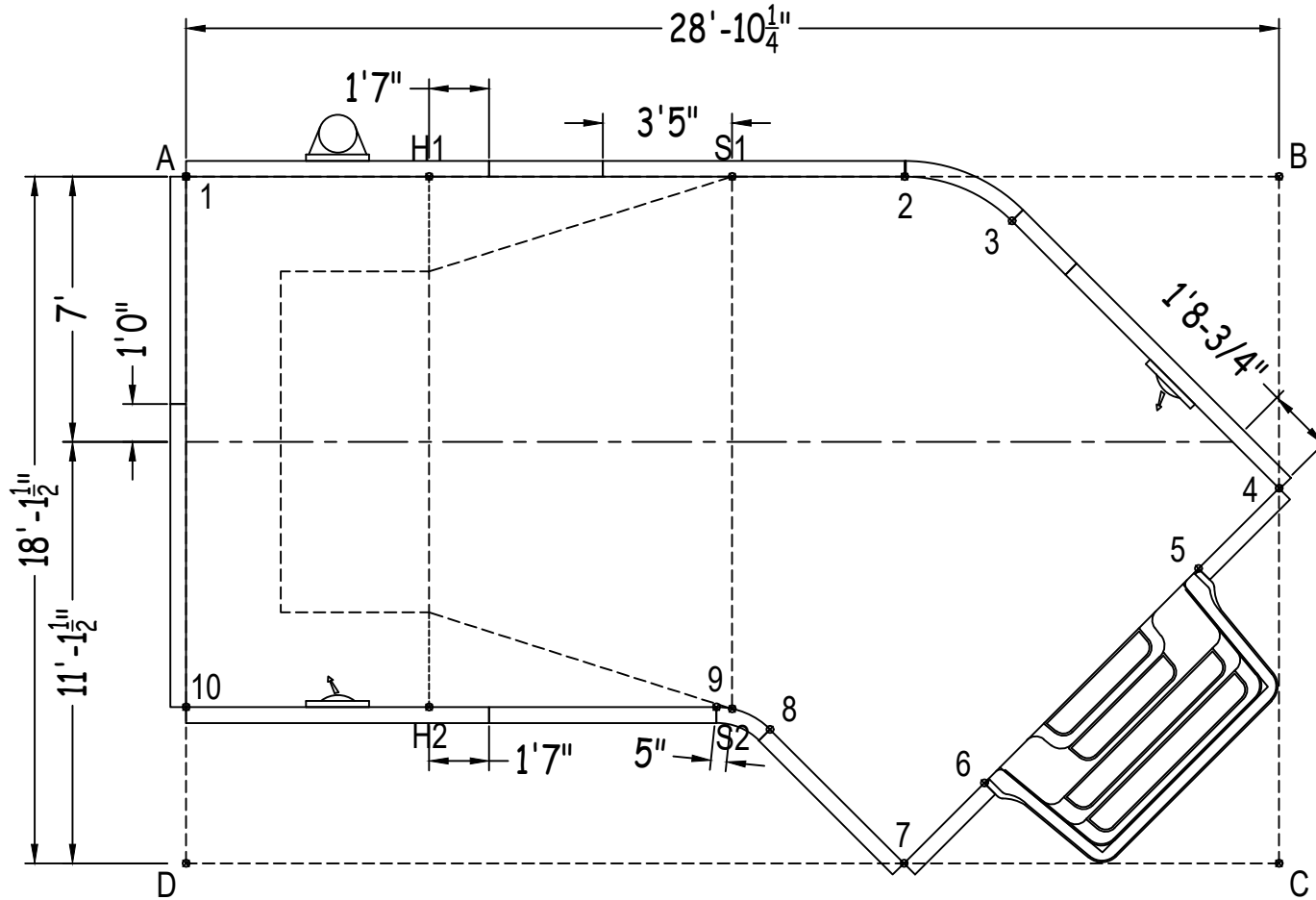
JOB NAME: LAZY L/14-0 X 18-3 X 28-2 - 6" R

LAZY-L-6IN RAD

SHEET: 1 OF 2

Diagonals	1 to 6	26'-5 1/2"	2 to 9	14'-10 1/4"	4 to 7	14'-0"	6 to 9	7'-4 1/4"
S1 to S2	1 to 7	26'-2 3/4"	2 to 10	23'-7"	4 to 8	14'-10 1/2"	6 to 10	21'-2"
H1 to H2	1 to 8	21'-2 3/4"	3 to 4	9'-11 3/4"	4 to 9	15'-11 1/4"	7 to 8	5'-0"
S1 to H1	1 to 9	19'-9 1/2"	3 to 5	10'-5"	4 to 10	29'-5"	7 to 9	6'-5 1/4"
S2 to H2	1 to 10	14'-0"	3 to 6	14'-10 1/4"	5 to 6	8'-0"	7 to 10	19'-4 3/4"
S1 to H2	2 to 3	3'-3/4"	3 to 7	17'-2 1/4"	5 to 7	11'-0"	8 to 9	1'-6 1/4"
H1 to S2	2 to 4	12'-10 1/4"	3 to 8	14'-10 1/4"	5 to 8	12'-1"	8 to 10	15'-5"
1 to 2	2 to 5	12'-11 1/4"	3 to 9	15'-1/4"	5 to 9	13'-3"	9 to 10	14'-0"
1 to 3	2 to 6	16'-1 3/4"	3 to 10	25'-3 1/2"	5 to 10	26'-11 3/4"		
1 to 4	2 to 7	18'-1 1/2"	4 to 5	3'-0"	6 to 7	3'-0"		
1 to 5	2 to 8	15'-1/4"	4 to 6	11'-0"	6 to 8	5'-10"		

		Base
Part number	Description	QTY
ST0960002X	8'	2
ST0960002*	8' SKIMMER	1
ST0960002*	8' RETURN	2
ST0720001X	6'	2
ST0600001X	5'	1
ST0360000X	3'	3
ST0240000X	2'	1
CN0380481X	4'Rx3'2"	1
CR0190240X	2'RRx1'7"	1
Brace	Brace	10
IPC-AB90	CONNECTOR CNR ANGLE 90D 42"	4
IPC-AB90-INS6R	CORNER INSERT 6" RAD PVC 42"	4
IPC-STKPK25	REBAR STAKE 18" 25PC	1
IPC-HDWSTR150	BOLT STR 3/8-16X1" C/W NUT 150PC	1
ST8024B	THICKSHEET STEP STR SIT N STEP 8'	1



	A	B	C	D
1	0"	28'-10 1/4"	34'-3/4"	18'-1 1/2"
2	18'-11 3/4"	9'-10 1/2"	20'-7 3/4"	26'-2 3/4"
3	21'-10"	7'-1 3/4"	18'-4 1/4"	27'-7 1/4"
4	30'-0"	8'-2 3/4"	9'-10 3/4"	30'-6"
5	28'-8"	10'-6 3/4"	8'-3/4"	27'-10"
6	26'-5 1/2"	17'-9 1/2"	8'-3/4"	21'-2 1/4"
7	26'-2 3/4"	20'-7 3/4"	9'-10 3/4"	18'-11 1/2"
8	21'-2 3/4"	19'-10"	13'-10 3/4"	15'-9 3/4"
9	19'-9 1/2"	20'-5"	15'-5"	14'-7 1/4"
10	14'-0"	32'-3/4"	29'-1 3/4"	4'-1 1/2"
S2	20'-1 1/2"	20'-1 3/4"	15'-0"	14'-11 3/4"
S1	14'-5"	14'-5 1/4"	23'-2"	23'-2"
H2	15'-4 3/4"	26'-5 1/4"	22'-9 3/4"	7'-7 1/2"
H1	6'-5"	22'-5 1/4"	28'-10"	19'-2 3/4"
A	-	28'-10 1/4"	34'-3/4"	18'-1 1/2"