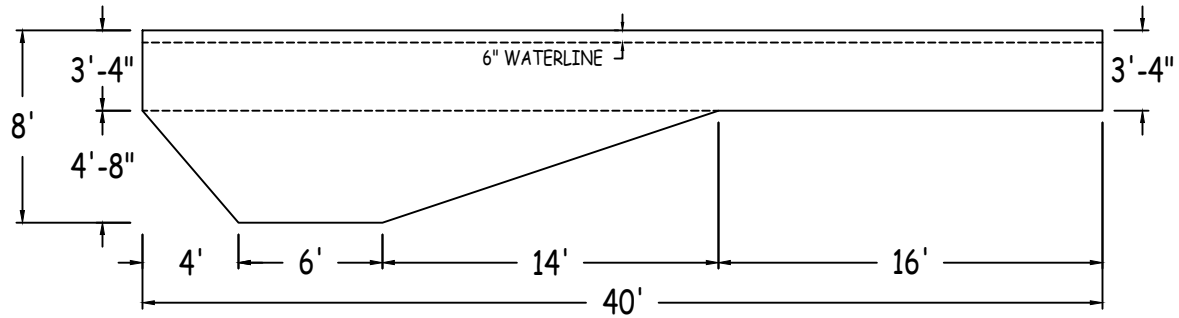
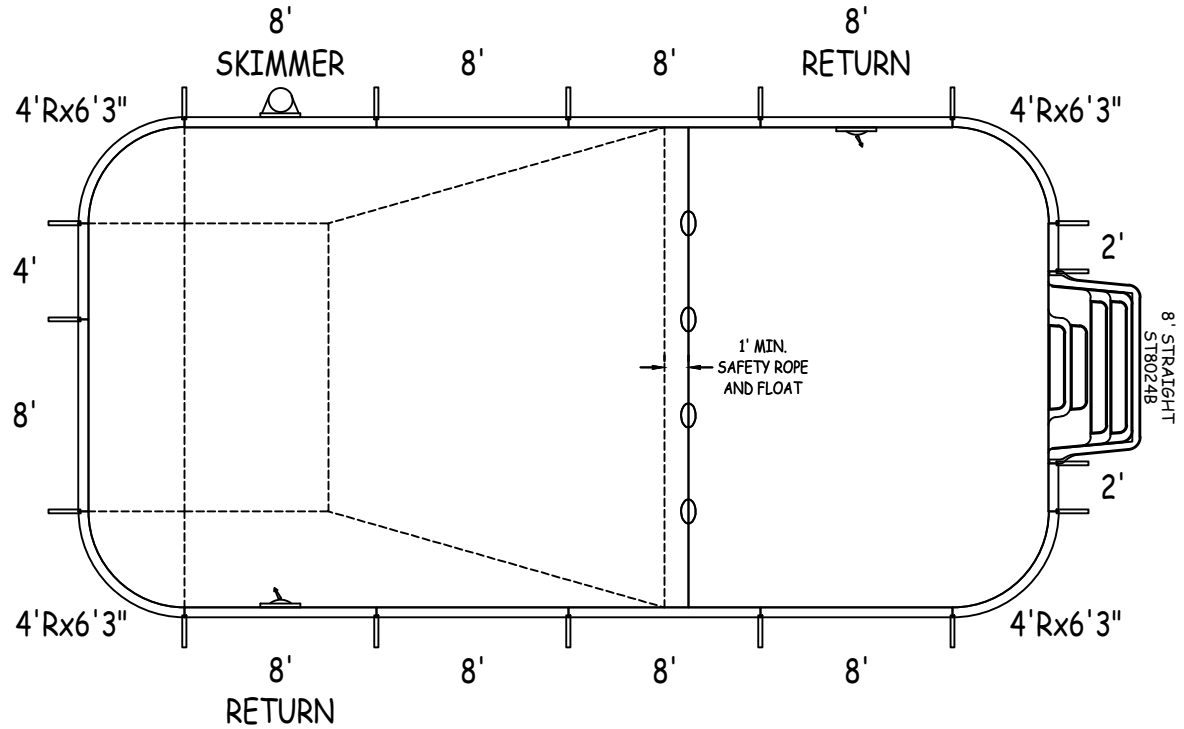
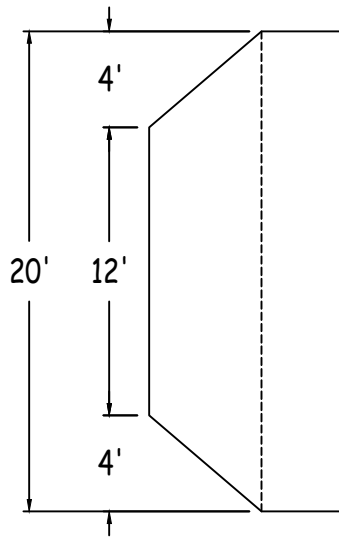


IN ACCORDANCE WITH ANSI/APSP/ICC-5 2011, THE INSTALLER IS RESPONSIBLE FOR PLACING ONE SKIMMER FOR EVERY 800 SQUARE FEET OF SURFACE AREA AND ONE RETURN FOR EVERY 300 SQUARE FEET OF SURFACE AREA.



**LATHAM STEEL**

**RECTANGLE 4FT RAD 20-0 x 40-0**

42" STEEL PANELS

PERIMETER: 113'-2" VOLUME (US Gal): 25800

DWG#: 2019-SPL-10090

SURFACE (ft²): 786 VOLUME (Liters): 97600

KIT#: CUSTOMKIT

LINER (ft²): 800 DATE: 3/22/2019 DSR:

COVER (ft²): 924

SCALE: 1/8" = 1'-0"



DIVING/SLIDING EQUIPMENT SHALL BE DESIGNED FOR SWIMMING POOLS AND SHALL BE INSTALLED IN ACCORDANCE WITH THE DIVING/SLIDING EQUIPMENT MANUFACTURER'S SPECIFICATIONS. PLEASE CONTACT THE DIVING/SLIDING EQUIPMENT MANUFACTURER FOR THEIR SPECIFICATIONS.

CUSTOMER:

JOB NAME:

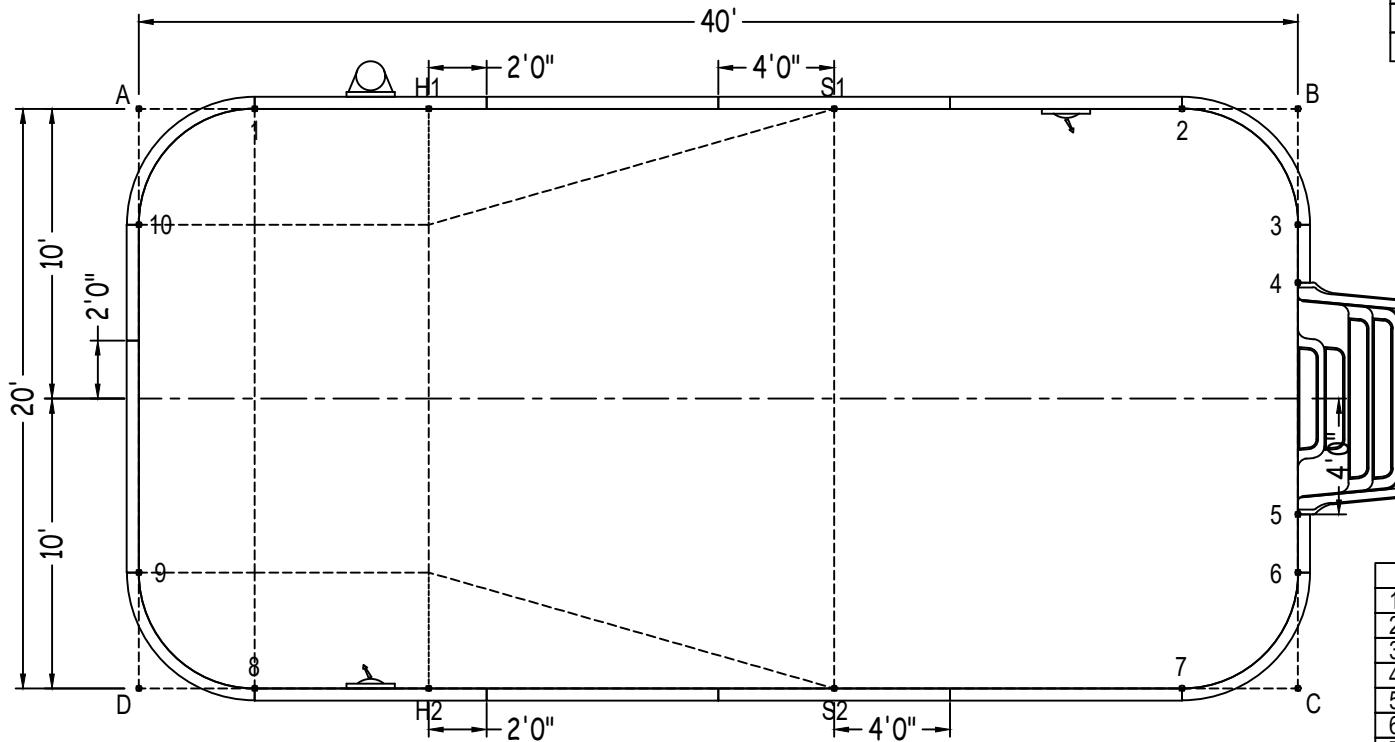
ALL ASPECTS OF THIS DRAWING COMPLIES WITH ANSI/APSP/ICC-5 2011 AND 2015 ISPSC

**RECTANGLE**

SHEET: 1 OF 2

Diagonals					
S1 to S2	20'-0"	2 to 6	16'-6"	5 to 6	2'-0"
H1 to H2	20'-0"	2 to 7	20'-0"	5 to 7	7'-2 1/2"
S1 to H1	14'-0"	2 to 8	37'-8 3/4"	5 to 8	36'-6"
S2 to H2	14'-0"	2 to 9	39'-4 3/4"	5 to 9	40'- 1/2"
S1 to H2	24'-5"	2 to 10	36'-2 3/4"	5 to 10	41'-2 3/4"
H1 to S2	24'-5"	3 to 4	2'-0"	6 to 7	5'-8"
1 to 2	32'-0"	3 to 5	10'-0"	6 to 8	36'-2 3/4"
1 to 3	36'-2 3/4"	3 to 6	12'-0"	6 to 9	40'-0"
1 to 4	36'-6"	3 to 7	16'-6"	6 to 10	41'-9 1/4"
1 to 5	38'-7 1/2"	3 to 8	39'-4 3/4"	7 to 8	32'-0"
1 to 6	39'-4 3/4"	3 to 9	41'-9 1/4"	7 to 9	36'-2 3/4"
1 to 7	37'-8 3/4"	3 to 10	40'-0"	7 to 10	39'-4 3/4"
1 to 8	20'-0"	4 to 5	8'-0"	8 to 9	5'-8"
1 to 9	16'-6"	4 to 6	10'-0"	8 to 10	16'-6"
1 to 10	5'-8"	4 to 7	14'-6 3/4"	9 to 10	12'-0"
2 to 3	5'-8"	4 to 8	38'-7 1/2"		
2 to 4	7'-2 1/2"	4 to 9	41'-2 3/4"		

		Base
Part number	Description	QTY
ST0960002X	8'	6
ST0960002*	8' SKIMMER	1
ST0960002*	8' RETURN	2
ST0480001X	4'	1
ST0240000X	2'	2
CN0750481X	4'Rx6'3"	4
Brace	Brace	17
IPC-STKPK25	REBAR STAKE 18" 25PC	2
IPC-HDWSTR150	BOLT STR 3/8-16X1" C/W NUT 150PC	2
ST8024B	THICKSHEET STEP STR SIT N STEP 8'	1
CAC-CLIP-1	Coping Clip	16
COP-TSPK100	Tek Screw (100/PKG)	2
CAC-ST144000-1	CP2 CH GRAY-STRT 12' (1 PC)	6
CAC-ST096000-1	CP2 CH GRAY-STRT 8' (1 PC)	1
CAC-CN075048-1	CP2 CH GRAY-CN RAD L6'3"XR40" (1 PG)	4



	A	B	C	D
1	4'-0"	36'-0"	41'-2 1/4"	20'-4 3/4"
2	36'-0"	4'-0"	20'-4 3/4"	41'-2 1/4"
3	40'-2 1/2"	4'-0"	16'-0"	43'-1"
4	40'-5 1/4"	6'-0"	14'-0"	42'-4 1/2"
5	42'-4 1/2"	14'-0"	6'-0"	40'-5 1/4"
6	43'-1"	16'-0"	4'-0"	40'-2 1/2"
7	41'-2 1/4"	20'-4 3/4"	4'-0"	36'-0"
8	20'-4 3/4"	41'-2 1/4"	36'-0"	4'-0"
9	16'-0"	43'-1"	40'-2 1/2"	4'-0"
10	4'-0"	40'-2 1/2"	43'-1"	16'-0"
S2	31'-3"	25'-7 1/4"	16'-0"	24'-0"
S1	24'-0"	16'-0"	25'-7 1/4"	31'-3"
H2	22'-4 1/4"	36'- 3/4"	30'-0"	10'-0"
H1	10'-0"	30'-0"	36'- 3/4"	22'-4 1/4"
A	-	40'-0"	44'-8 3/4"	20'-0"