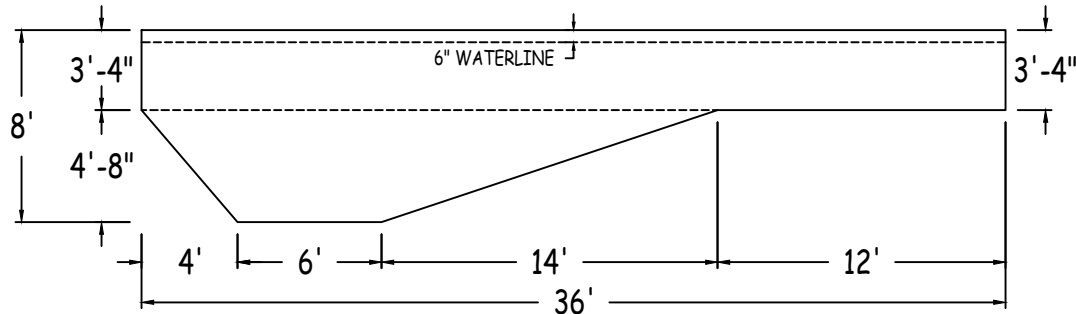
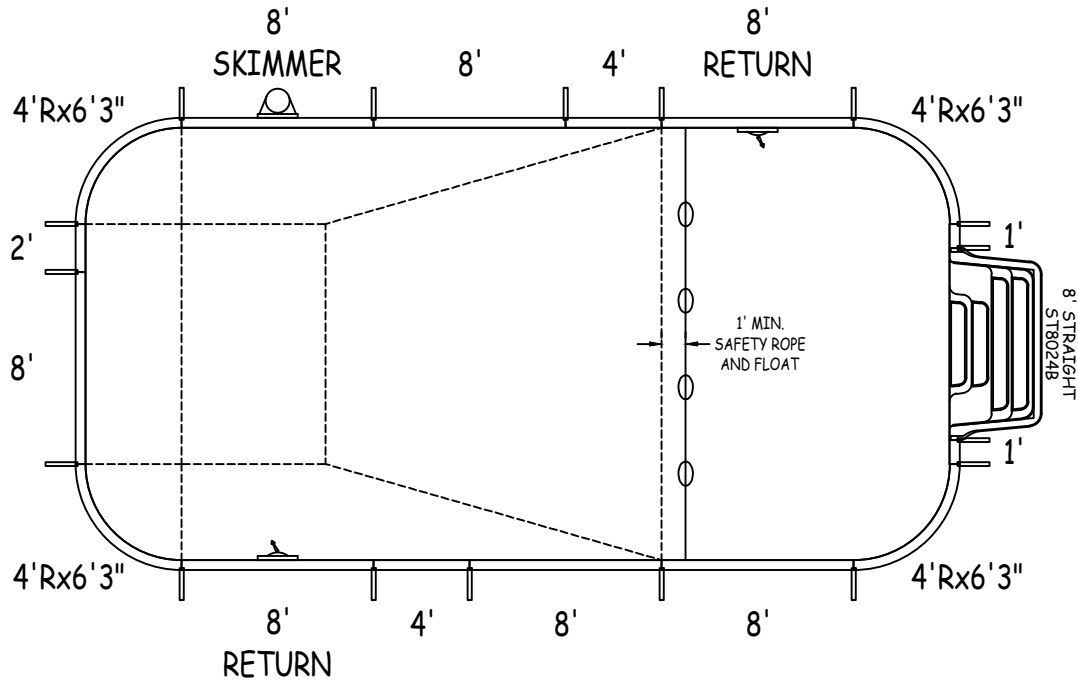
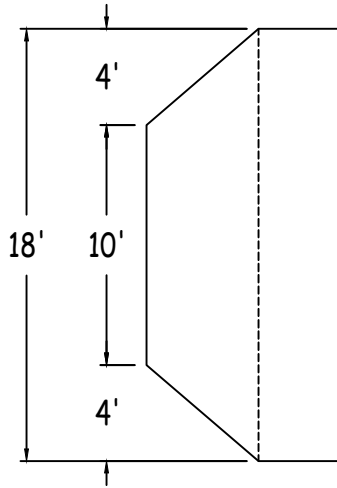


IN ACCORDANCE WITH ANSI/APSP/ICC-5 2011, THE INSTALLER IS RESPONSIBLE FOR PLACING ONE SKIMMER FOR EVERY 800 SQUARE FEET OF SURFACE AREA AND ONE RETURN FOR EVERY 300 SQUARE FEET OF SURFACE AREA.



LATHAM STEEL

RECTANGLE 4FT RAD 18-0 x 36-0

42" STEEL PANELS

PERIMETER: 101'-2" VOLUME (US Gal): 20800

DWG#: 2019-SPL-10088

SURFACE (ft²): 634 VOLUME (Liters): 78700

KIT#: CUSTOMKIT

LINER (ft²): 648 DATE: 3/22/2019 DSR:

COVER (ft²): 760

SCALE: 1/8" = 1'-0"



DIVING/SLIDING EQUIPMENT SHALL BE DESIGNED FOR SWIMMING POOLS AND SHALL BE INSTALLED IN ACCORDANCE WITH THE DIVING/SLIDING EQUIPMENT MANUFACTURER'S SPECIFICATIONS. PLEASE CONTACT THE DIVING/SLIDING EQUIPMENT MANUFACTURER FOR THEIR SPECIFICATIONS.

CUSTOMER:

JOB NAME:

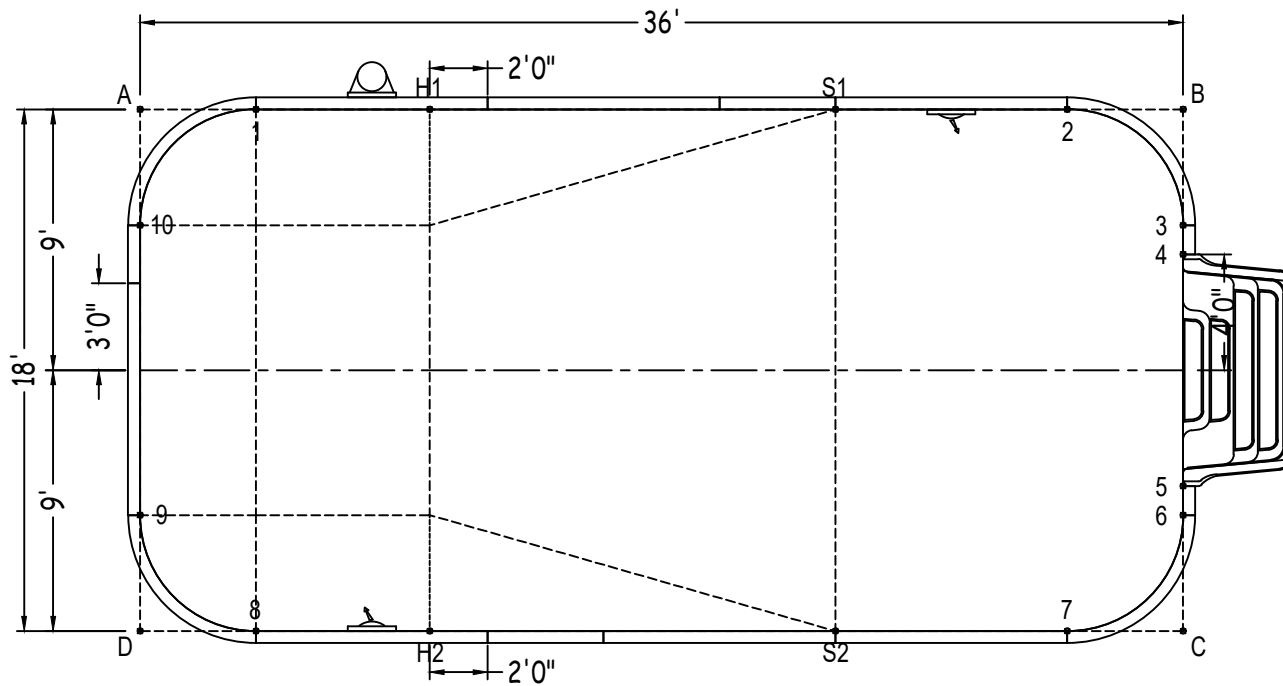
ALL ASPECTS OF THIS DRAWING COMPLIES WITH ANSI/APSP/ICC-5 2011 AND 2015 ISPSC

RECTANGLE

SHEET: 1 OF 2

Diagonals	2 to 5	13'-7 1/4"	4 to 10	36'- 1/4"
S1 to S2	2 to 6	14'-6 3/4"	5 to 6	1'-0"
H1 to H2	2 to 7	18'-0"	5 to 7	6'-4 3/4"
S1 to H1	2 to 8	33'-3 1/2"	5 to 8	32'-4 3/4"
S2 to H2	2 to 9	34'-11 1/4"	5 to 9	36'- 1/4"
S1 to H2	2 to 10	32'-3"	5 to 10	37'-1 1/4"
H1 to S2	3 to 4	1'-0"	6 to 7	5'-8"
1 to 2	3 to 5	9'-0"	6 to 8	32'-3"
1 to 3	3 to 6	10'-0"	6 to 9	36'-0"
1 to 4	3 to 7	14'-6 3/4"	6 to 10	37'-4 1/4"
1 to 5	3 to 8	34'-11 1/4"	7 to 8	28'-0"
1 to 6	3 to 9	37'-4 1/4"	7 to 9	32'-3"
1 to 7	3 to 10	36'-0"	7 to 10	34'-11 1/4"
1 to 8	4 to 5	8'-0"	8 to 9	5'-8"
1 to 9	4 to 6	9'-0"	8 to 10	14'-6 3/4"
1 to 10	4 to 7	13'-7 1/4"	9 to 10	10'-0"
2 to 3	4 to 8	34'-6 1/2"		
2 to 4	4 to 9	37'-1 1/4"		

		Base
Part number	Description	QTY
ST0960002X	8'	4
ST0960002*	8' SKIMMER	1
ST0960002*	8' RETURN	2
ST0480001X	4'	2
ST0240000X	2'	1
ST0120000X	1'	2
CN0750481X	4'Rx6'3"	4
Brace	Brace	17
IPC-STKPK25	REBAR STAKE 18" 25PC	2
IPC-HDWSTRT150	BOLT STR 3/8-16X1" C/W NUT 150PC	2
ST8024B	THICKSHEET STEP STR SIT N STEP 8'	1
CAC-CLIP-1	Coping Clip	16
COP-TSPK100	Tek Screw (100/PKG)	2
CAC-ST144000-1	CP2 CH GRAY-STRT 12' (1 PC)	5
CAC-ST096000-1	CP2 CH GRAY-STRT 8' (1 PC)	1
CAC-CN075048-1	CP2 CH GRAY-CN RAD L6'3"XR4'0" (1 PC)	4



	A	B	C	D
1	4'-0"	32'-0"	36'-8 1/2"	18'-5 1/4"
2	32'-0"	4'-0"	18'-5 1/4"	36'-8 1/2"
3	36'-2 3/4"	4'-0"	14'-0"	38'-7 1/2"
4	36'-4 1/4"	5'-0"	13'-0"	38'-3 1/4"
5	38'-3 1/4"	13'-0"	5'-0"	36'-4 1/4"
6	38'-7 1/2"	14'-0"	4'-0"	36'-2 3/4"
7	36'-8 1/2"	18'-5 1/4"	4'-0"	32'-0"
8	18'-5 1/4"	36'-8 1/2"	32'-0"	4'-0"
9	14'-0"	38'-7 1/2"	36'-2 3/4"	4'-0"
10	4'-0"	36'-2 3/4"	38'-7 1/2"	14'-0"
S2	30'-0"	21'-7 1/2"	12'-0"	24'-0"
S1	24'-0"	12'-0"	21'-7 1/2"	30'-0"
H2	20'-7"	31'-7 1/2"	26'-0"	10'-0"
H1	10'-0"	26'-0"	31'-7 1/2"	20'-7"
A	-	36'-0"	40'-3"	18'-0"