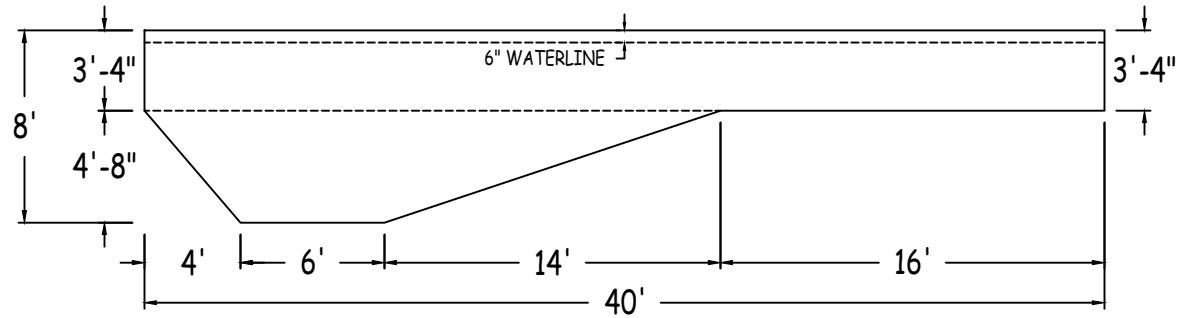
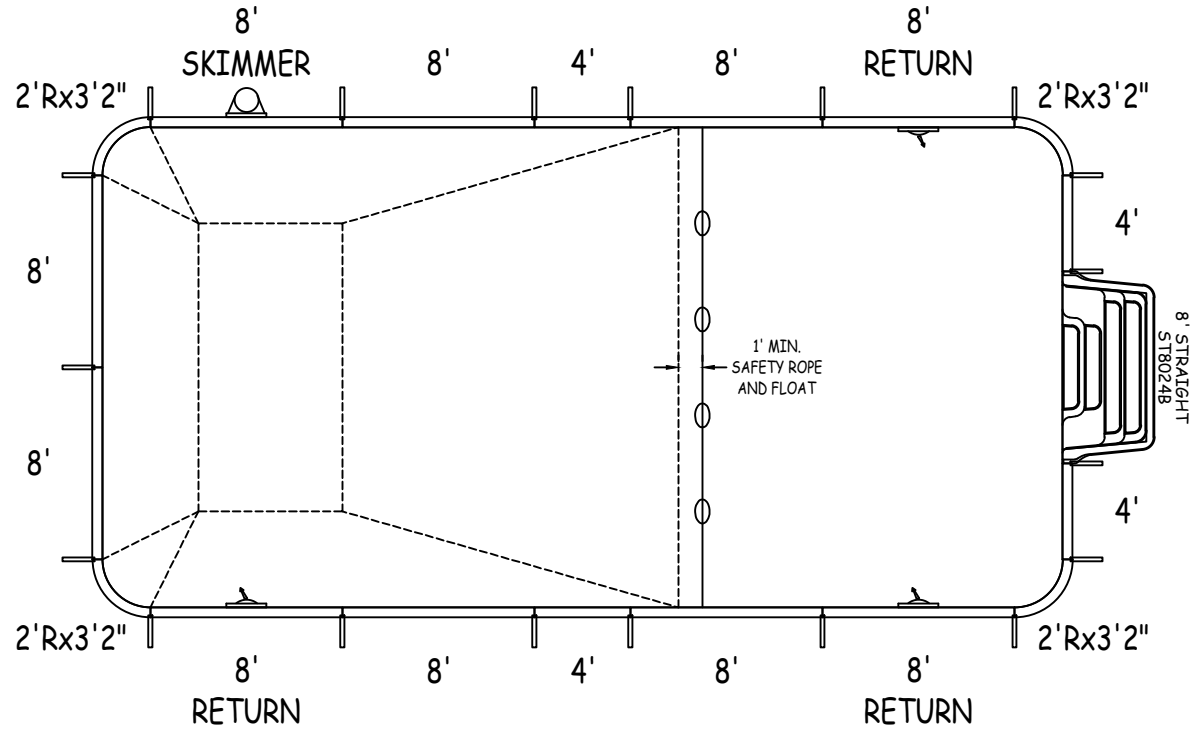
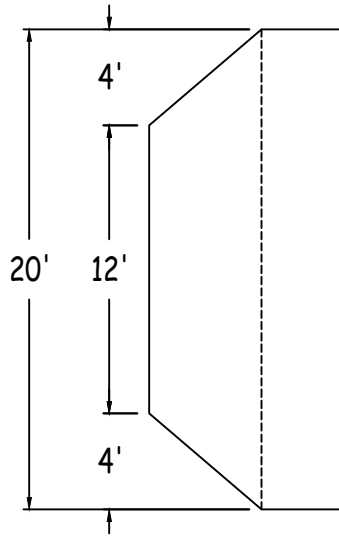


IN ACCORDANCE WITH ANSI/APSP/ICC-5 2011, THE INSTALLER IS RESPONSIBLE FOR PLACING ONE SKIMMER FOR EVERY 800 SQUARE FEET OF SURFACE AREA AND ONE RETURN FOR EVERY 300 SQUARE FEET OF SURFACE AREA.



**LATHAM STEEL**

**RECTANGLE 2FT RAD 20-0 x 40-0**

42" STEEL PANELS

PERIMETER: 116'-7" VOLUME (US Gal): 26200

DWG#: 2024-SPL-04928

SURFACE (ft²): 797 VOLUME (Liters): 99200

KIT#: CUSTOMKIT

LINER (ft²): 800 DATE: 2/13/2024 DSR:

COVER (ft²): 924

SCALE: 1/8" = 1'-0"



DIVING/SLIDING EQUIPMENT SHALL BE DESIGNED FOR SWIMMING POOLS AND SHALL BE INSTALLED IN ACCORDANCE WITH THE DIVING/SLIDING EQUIPMENT MANUFACTURER'S SPECIFICATIONS. PLEASE CONTACT THE DIVING/SLIDING EQUIPMENT MANUFACTURER FOR THEIR SPECIFICATIONS.

CUSTOMER: SCP/OLIVE BRANCH

JOB NAME: 20X40/2R

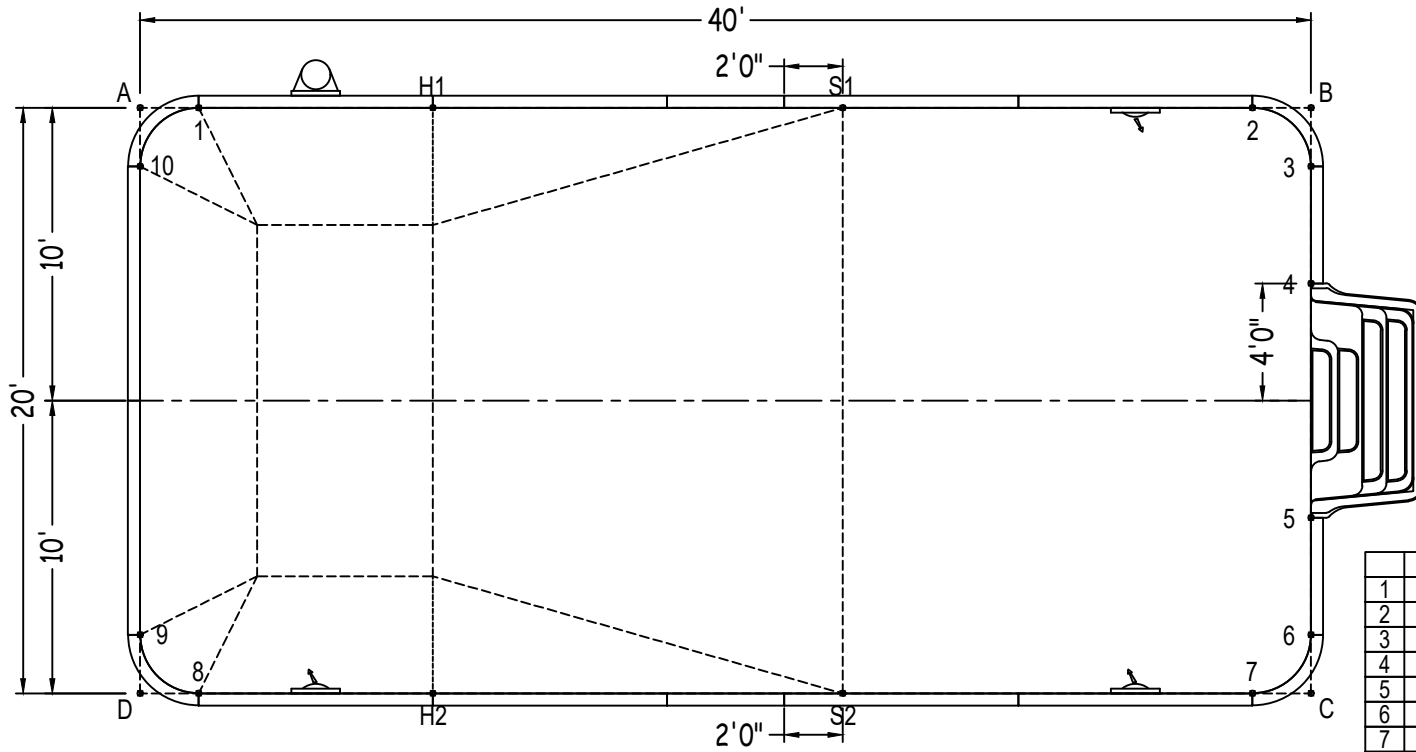
ALL ASPECTS OF THIS DRAWING COMPLIES WITH ANSI/APSP/ICC-5 2011 AND 2015 ISPSC

**RECTANGLE**

SHEET: 1 OF 2

Diagonals	2 to 5	14'-1 3/4"	4 to 10	40'-2 1/2"	
S1 to S2	20'-0"	2 to 6	18'-1 1/4"	5 to 6	4'-0"
H1 to H2	20'-0"	2 to 7	20'-0"	5 to 7	6'-4"
S1 to H1	14'-0"	2 to 8	41'-2 1/4"	5 to 8	38'-5 3/4"
S2 to H2	14'-0"	2 to 9	42'- 1/2"	5 to 9	40'-2 1/2"
S1 to H2	24'-5"	2 to 10	38'- 3/4"	5 to 10	41'-9 1/4"
H1 to S2	24'-5"	3 to 4	4'-0"	6 to 7	2'-10"
1 to 2	36'-0"	3 to 5	12'-0"	6 to 8	38'- 3/4"
1 to 3	38'- 3/4"	3 to 6	16'-0"	6 to 9	40'-0"
1 to 4	38'-5 3/4"	3 to 7	18'-1 1/4"	6 to 10	43'-1"
1 to 5	40'-6"	3 to 8	42'- 1/2"	7 to 8	36'-0"
1 to 6	42'- 1/2"	3 to 9	43'-1"	7 to 9	38'- 3/4"
1 to 7	41'-2 1/4"	3 to 10	40'-0"	7 to 10	42'- 1/2"
1 to 8	20'-0"	4 to 5	8'-0"	8 to 9	2'-10"
1 to 9	18'-1 1/4"	4 to 6	12'-0"	8 to 10	18'-1 1/4"
1 to 10	2'-10"	4 to 7	14'-1 3/4"	9 to 10	16'-0"
2 to 3	2'-10"	4 to 8	40'-6"		
2 to 4	6'-4"	4 to 9	41'-9 1/4"		

		Base
Part number	Description	QTY
ST0960002X	8'	6
ST0960002*	8' SKIMMER	1
ST0960002*	8' RETURN	3
ST0480001X	4'	4
CN0380241X	2'Rx3'2"	4
Brace	Brace	19
IPC-STKPK25	REBAR STAKE 18" 25PC	2
IPC-HDWSTR150	BOLT STR 3/8-16X1" C/W NUT 150PC	2
ST8024B	THICKSHEET STEP STR SIT N STEP 8'	1



	A	B	C	D
1	2'-0"	38'-0"	42'-11 1/4"	20'-1 1/4"
2	38'-0"	2'-0"	20'-1 1/4"	42'-11 1/4"
3	40'- 1/2"	2'-0"	18'-0"	43'-10 1/4"
4	40'-5 1/4"	6'-0"	14'-0"	42'-4 1/2"
5	42'-4 1/2"	14'-0"	6'-0"	40'-5 1/4"
6	43'-10 1/4"	18'-0"	2'-0"	40'- 1/2"
7	42'-11 1/4"	20'-1 1/4"	2'-0"	38'-0"
8	20'-1 1/4"	42'-11 1/4"	38'-0"	2'-0"
9	18'-0"	43'-10 1/4"	40'- 1/2"	2'-0"
10	2'-0"	40'- 1/2"	43'-10 1/4"	18'-0"
S2	31'-3"	25'-7 1/4"	16'-0"	24'-0"
S1	24'-0"	16'-0"	25'-7 1/4"	31'-3"
H2	22'-4 1/4"	36'- 3/4"	30'-0"	10'-0"
H1	10'-0"	30'-0"	36'- 3/4"	22'-4 1/4"
A	-	40'-0"	44'-8 3/4"	20'-0"

RECTANGLE 2FT RAD 20-0 X 40-0

DWG #: 2024-SPL-04928

DATE: 2/13/2024

SHEET: 2 OF 2