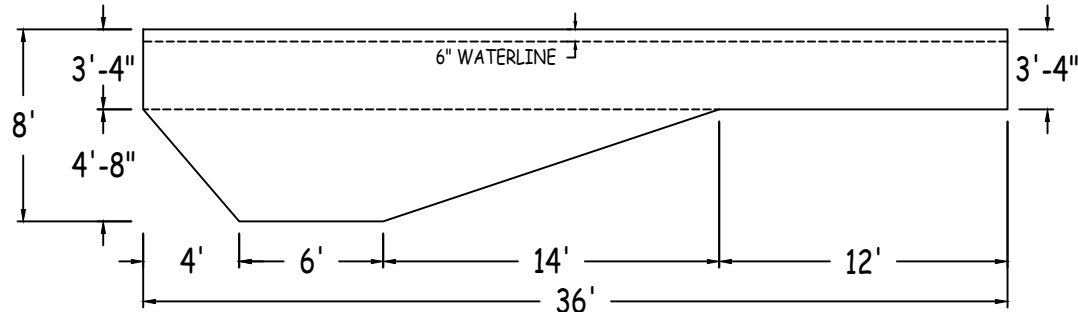
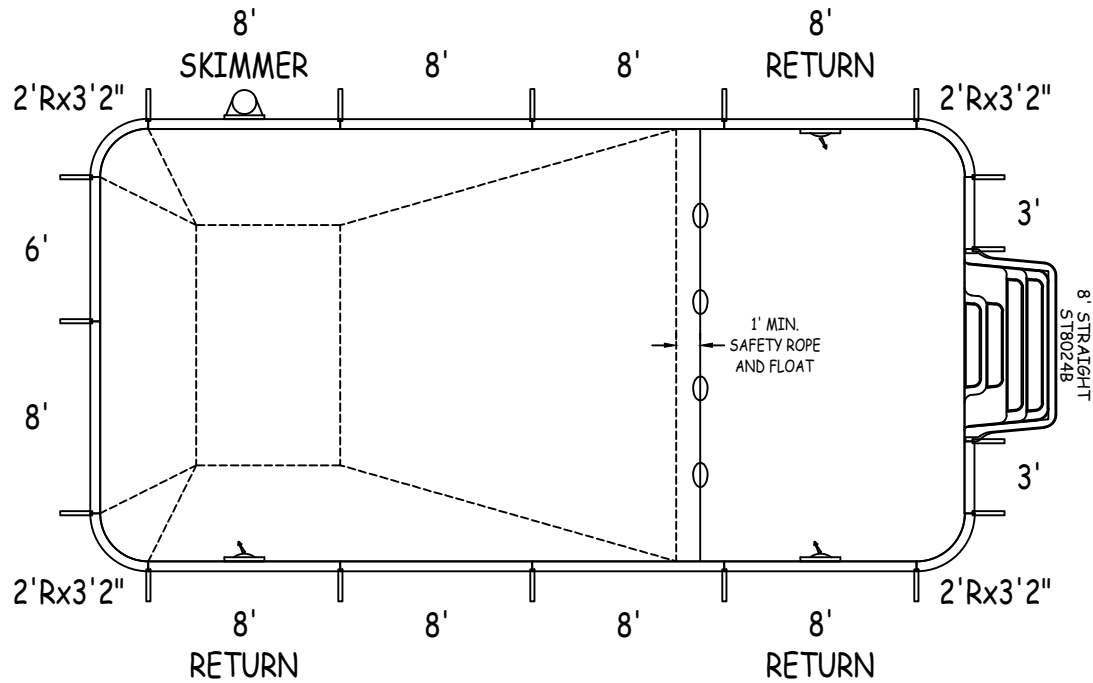
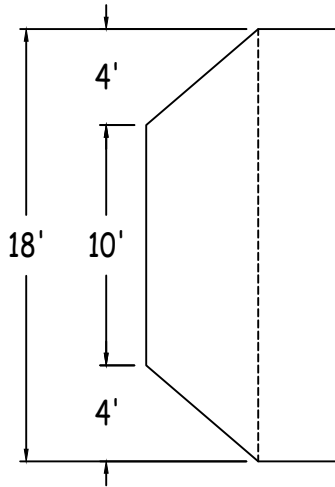


IN ACCORDANCE WITH ANSI/APSP/ICC-5 2011, THE INSTALLER IS RESPONSIBLE FOR PLACING ONE SKIMMER FOR EVERY 800 SQUARE FEET OF SURFACE AREA AND ONE RETURN FOR EVERY 300 SQUARE FEET OF SURFACE AREA.



LATHAM STEEL

RECTANGLE 2FT RAD 18-0 x 36-0

42" STEEL PANELS

PERIMETER: 104'-7" VOLUME (US Gal): 21200

DWG#: 2024-SPL-04927

SURFACE (ft²): 645 VOLUME (Liters): 80200

KIT#: CUSTOMKIT

LINER (ft²): 648 DATE: 2/13/2024 DSR:

COVER (ft²): 760

SCALE: 1/8" = 1'-0"



DIVING/SLIDING EQUIPMENT SHALL BE DESIGNED FOR SWIMMING POOLS AND SHALL BE INSTALLED IN ACCORDANCE WITH THE DIVING/SLIDING EQUIPMENT MANUFACTURER'S SPECIFICATIONS. PLEASE CONTACT THE DIVING/SLIDING EQUIPMENT MANUFACTURER FOR THEIR SPECIFICATIONS.

CUSTOMER: SCP/OLIVE BRANCH

JOB NAME: 18X36/2R

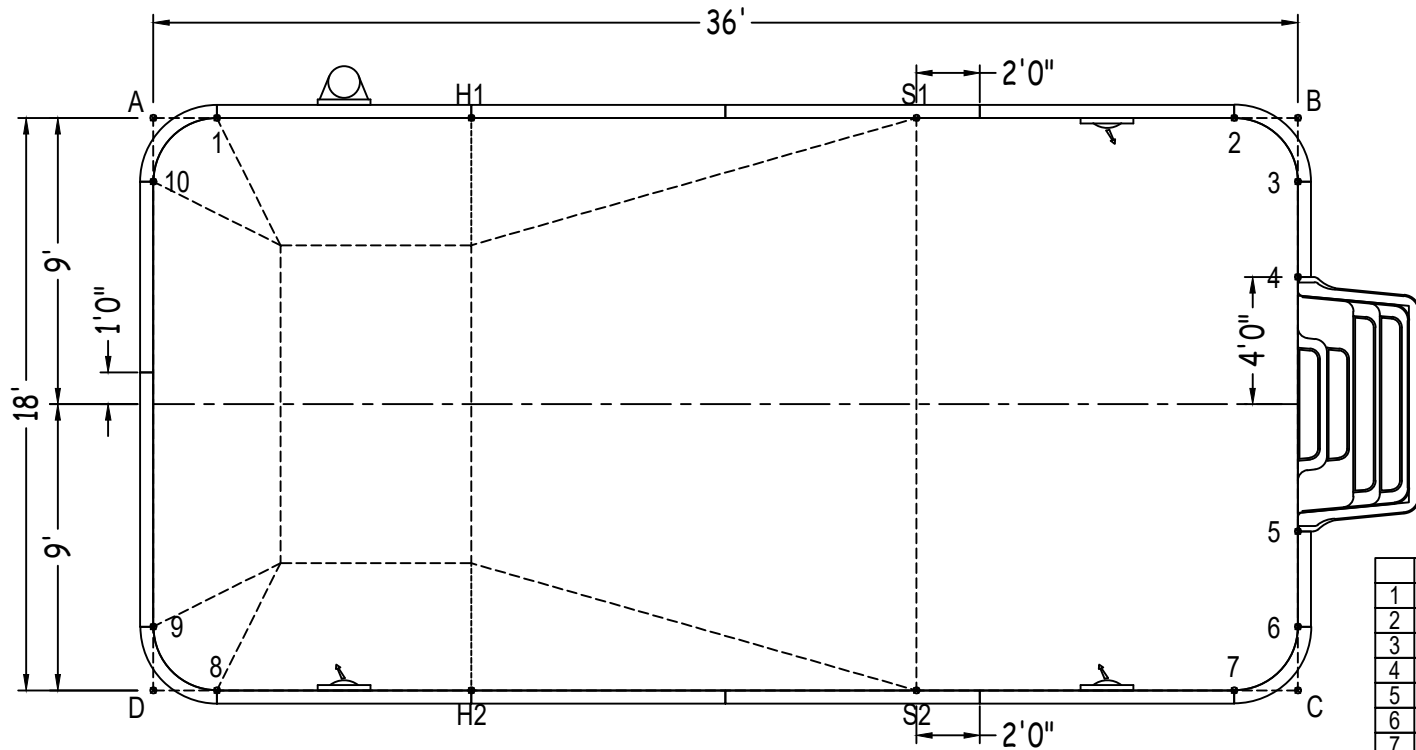
ALL ASPECTS OF THIS DRAWING COMPLIES WITH ANSI/APSP/ICC-5 2011 AND 2015 ISPSC

RECTANGLE

SHEET: 1 OF 2

Diagonals	2 to 5	13'-1 3/4"	4 to 10	36'-1 1/2"	
S1 to S2	18'-0"	2 to 6	16'-1 1/2"	5 to 6	3'-0"
H1 to H2	18'-0"	2 to 7	18'-0"	5 to 7	5'-4 1/2"
S1 to H1	14'-0"	2 to 8	36'-8 1/2"	5 to 8	34'-4 1/2"
S2 to H2	14'-0"	2 to 9	37'-7"	5 to 9	36'-1 1/2"
H1 to S2	22'-9 3/4"	2 to 10	34'- 3/4"	5 to 10	37'-7 3/4"
S1 to S2	22'-9 3/4"	3 to 4	3'-0"	6 to 7	2'-10"
1 to 2	32'-0"	3 to 5	11'-0"	6 to 8	34'- 3/4"
1 to 3	34'- 3/4"	3 to 6	14'-0"	6 to 9	36'-0"
1 to 4	34'-4 1/2"	3 to 7	16'-1 1/2"	6 to 10	38'-7 1/2"
1 to 5	36'-4 3/4"	3 to 8	37'-7"	7 to 8	32'-0"
1 to 6	37'-7"	3 to 9	38'-7 1/2"	7 to 9	34'- 3/4"
1 to 7	36'-8 1/2"	3 to 10	36'-0"	7 to 10	37'-7"
1 to 8	18'-0"	4 to 5	8'-0"	8 to 9	2'-10"
1 to 9	16'-1 1/2"	4 to 6	11'-0"	8 to 10	16'-1 1/2"
1 to 10	2'-10"	4 to 7	13'-1 3/4"	9 to 10	14'-0"
2 to 3	2'-10"	4 to 8	36'-4 3/4"		
2 to 4	5'-4 1/2"	4 to 9	37'-7 3/4"		

		Base
Part number	Description	QTY
ST0960002X	8'	5
ST0960002*	8' SKIMMER	1
ST0960002*	8' RETURN	3
ST0720001X	6'	1
ST0360000X	3'	2
CN0380241X	2'Rx3'2"	4
Brace	Brace	17
IPC-STKPK25	REBAR STAKE 18" 25PC	2
IPC-HDWSTR150	BOLT STR 3/8-16X1" C/W NUT 150PC	2
ST8024B	THICKSHEET STEP STR SIT N STEP 8'	1



	A	B	C	D
1	2'-0"	34'-0"	38'-5 3/4"	18'-1 1/4"
2	34'-0"	2'-0"	18'-1 1/4"	38'-5 3/4"
3	36'- 3/4"	2'-0"	16'-0"	39'-4 3/4"
4	36'-4 1/4"	5'-0"	13'-0"	38'-3 1/4"
5	38'-3 1/4"	13'-0"	5'-0"	36'-4 1/4"
6	39'-4 3/4"	16'-0"	2'-0"	36'- 3/4"
7	38'-5 3/4"	18'-1 1/4"	2'-0"	34'-0"
8	18'-1 1/4"	38'-5 3/4"	34'-0"	2'-0"
9	16'-0"	39'-4 3/4"	36'- 3/4"	2'-0"
10	2'-0"	36'- 3/4"	39'-4 3/4"	16'-0"
S2	30'-0"	21'-7 1/2"	12'-0"	24'-0"
S1	24'-0"	12'-0"	21'-7 1/2"	30'-0"
H2	20'-7"	31'-7 1/2"	26'-0"	10'-0"
H1	10'-0"	26'-0"	31'-7 1/2"	20'-7"
A	-	36'-0"	40'-3"	18'-0"