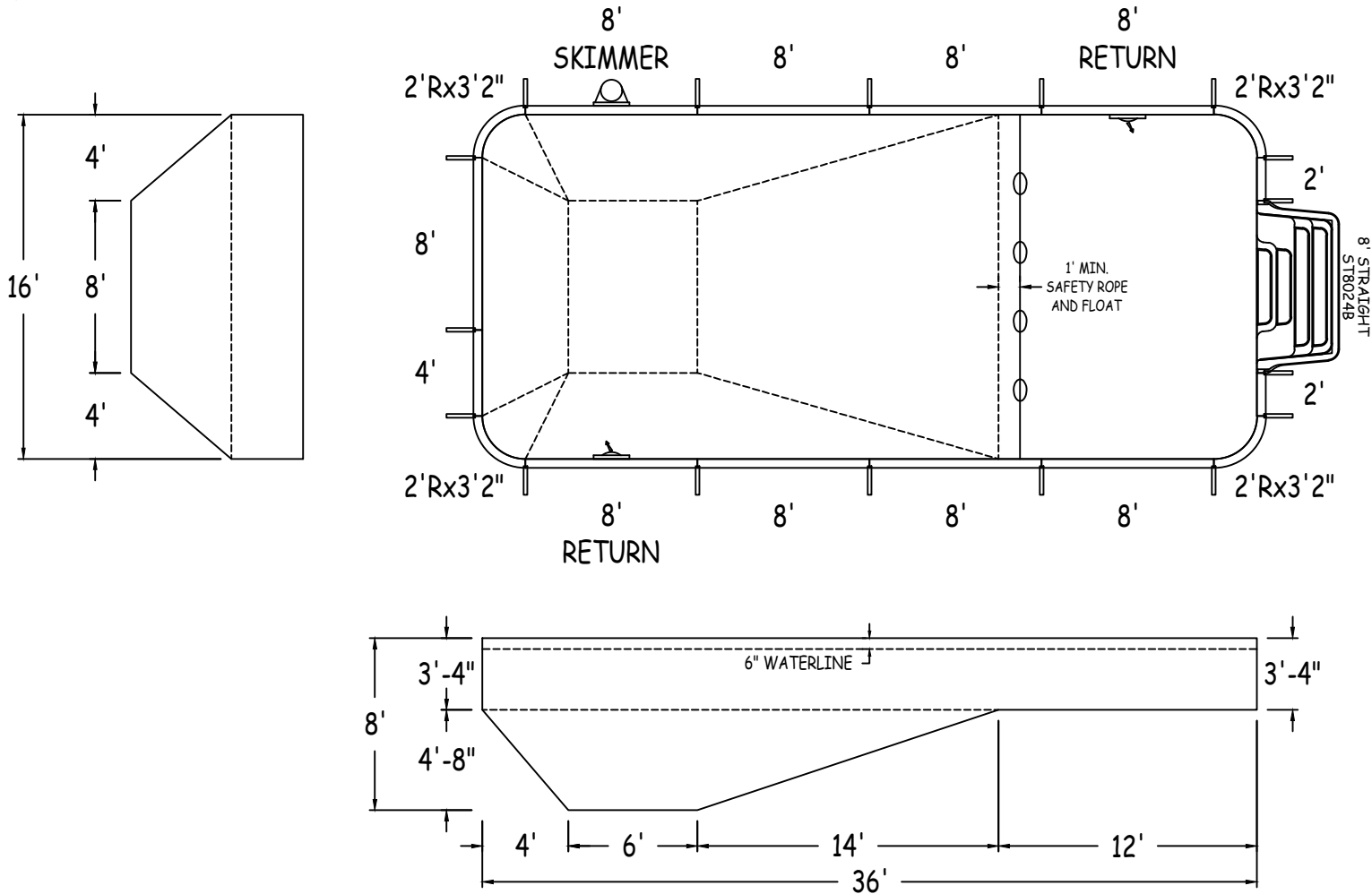


IN ACCORDANCE WITH ANSI/APSP/ICC-5 2011, THE INSTALLER IS RESPONSIBLE FOR PLACING ONE SKIMMER FOR EVERY 800 SQUARE FEET OF SURFACE AREA AND ONE RETURN FOR EVERY 300 SQUARE FEET OF SURFACE AREA.



LATHAM STEEL

RECTANGLE 2FT RAD 16-0 x 36-0

42" STEEL PANELS

PERIMETER: 100'-7" VOLUME (US Gal): 18800

DWG#: 2024-SPL-04926

SURFACE (ft²): 573 VOLUME (Liters): 71100

KIT#: CUSTOMKIT

LINER (ft²): 576 DATE: 2/13/2024 DSR:

COVER (ft²): 684

SCALE: 1/8" = 1'-0"



DIVING/SLIDING EQUIPMENT SHALL BE DESIGNED FOR SWIMMING POOLS AND SHALL BE INSTALLED IN ACCORDANCE WITH THE DIVING/SLIDING EQUIPMENT MANUFACTURER'S SPECIFICATIONS. PLEASE CONTACT THE DIVING/SLIDING EQUIPMENT MANUFACTURER FOR THEIR SPECIFICATIONS.

CUSTOMER: SCP/OLIVE BRANCH

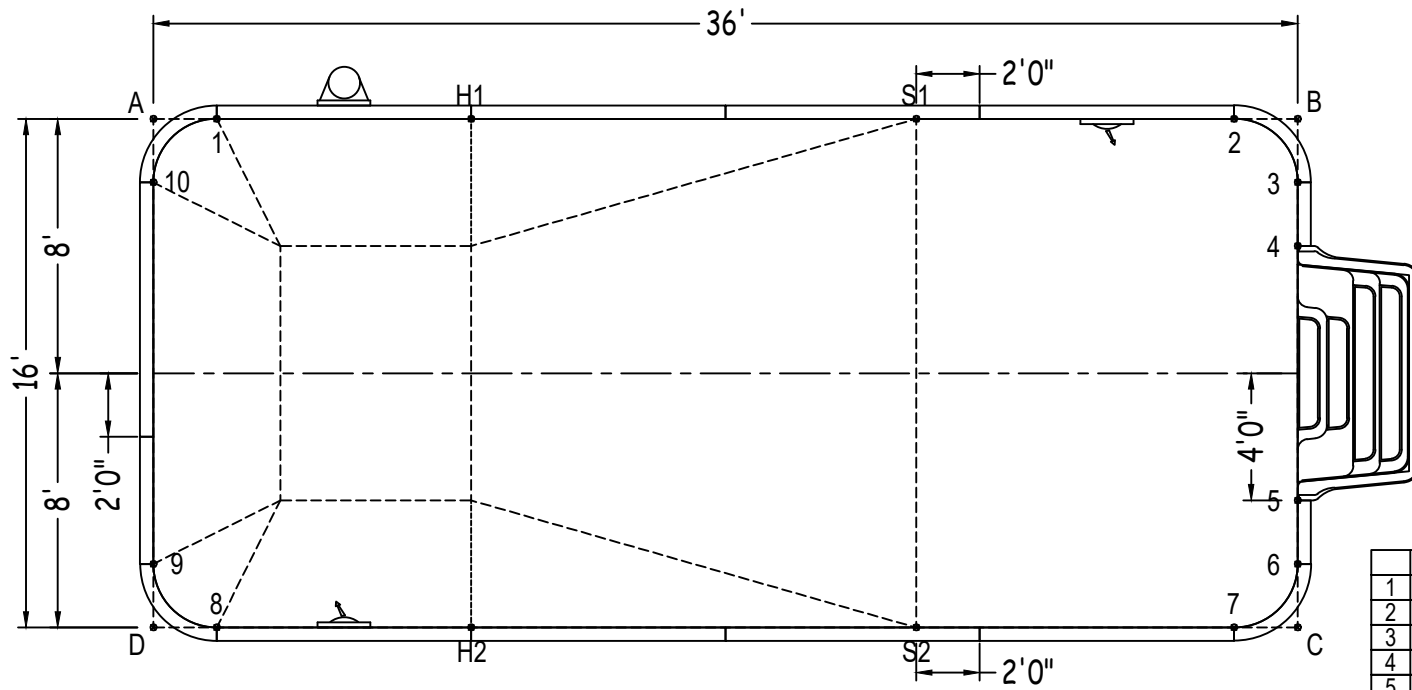
JOB NAME: 16X36/2R

ALL ASPECTS OF THIS DRAWING COMPLIES WITH ANSI/APSP/ICC-5 2011 AND 2015 ISPSC

RECTANGLE

Diagonals	2 to 5	12'-2"	4 to 10	36'- 3/4"	
S1toS2	16'-0"	2 to 6	14'-1 3/4"	5 to 6	2'-0"
H1toH2	16'-0"	2 to 7	16'-0"	5 to 7	4'-5 3/4"
S1toH1	14'-0"	2 to 8	35'-9 1/4"	5 to 8	34'-2 3/4"
S2toH2	14'-0"	2 to 9	36'-9 1/4"	5 to 9	36'- 3/4"
S1toH2	21'-3"	2 to 10	34'- 3/4"	5 to 10	37'-4 1/4"
H1toS2	21'-3"	3 to 4	2'-0"	6 to 7	2'-10"
1 to 2	32'-0"	3 to 5	10'-0"	6 to 8	34'- 3/4"
1 to 3	34'- 3/4"	3 to 6	12'-0"	6 to 9	36'-0"
1 to 4	34'-2 3/4"	3 to 7	14'-1 3/4"	6 to 10	37'-11 1/4"
1 to 5	36'- 3/4"	3 to 8	36'-9 1/4"	7 to 8	32'-0"
1 to 6	36'-9 1/4"	3 to 9	37'-11 1/4"	7 to 9	34'- 3/4"
1 to 7	35'-9 1/4"	3 to 10	36'-0"	7 to 10	36'-9 1/4"
1 to 8	16'-0"	4 to 5	8'-0"	8 to 9	2'-10"
1 to 9	14'-1 3/4"	4 to 6	10'-0"	8 to 10	14'-1 3/4"
1 to 10	2'-10"	4 to 7	12'-2"	9 to 10	12'-0"
2 to 3	2'-10"	4 to 8	36'- 3/4"		
2 to 4	4'-5 3/4"	4 to 9	37'-4 1/4"		

		Base
Part number	Description	QTY
ST0960002X	8'	6
ST0960002*	8' SKIMMER	1
ST0960002*	8' RETURN	2
ST0480001X	4'	1
ST0240000X	2'	2
CN0380241X	2'Rx3'2"	4
Brace	Brace	17
IPC-STKPK25	REBAR STAKE 18" 25PC	2
IPC-HDWSTR150	BOLT STR 3/8-16X1" C/W NUT 150PC	2
ST8024B	THICKSHEET STEP STR SIT N STEP 8'	1



	A	B	C	D
1	2'-0"	34'-0"	37'-7"	16'-1 1/2"
2	34'-0"	2'-0"	16'-1 1/2"	37'-7"
3	36'- 3/4"	2'-0"	14'-0"	38'-7 1/2"
4	36'-2 3/4"	4'-0"	12'-0"	37'-11 1/4"
5	37'-11 1/4"	12'-0"	4'-0"	36'-2 3/4"
6	38'-7 1/2"	14'-0"	2'-0"	36'- 3/4"
7	37'-7"	16'-1 1/2"	2'-0"	34'-0"
8	16'-1 1/2"	37'-7"	34'-0"	2'-0"
9	14'-0"	38'-7 1/2"	36'- 3/4"	2'-0"
10	2'-0"	36'- 3/4"	38'-7 1/2"	14'-0"
S2	28'-10 1/4"	20'-0"	12'-0"	24'-0"
S1	24'-0"	12'-0"	20'-0"	28'-10 1/4"
H2	18'-10 1/2"	30'-6 1/4"	26'-0"	10'-0"
H1	10'-0"	26'-0"	30'-6 1/4"	18'-10 1/2"
A	-	36'-0"	39'-4 3/4"	16'-0"