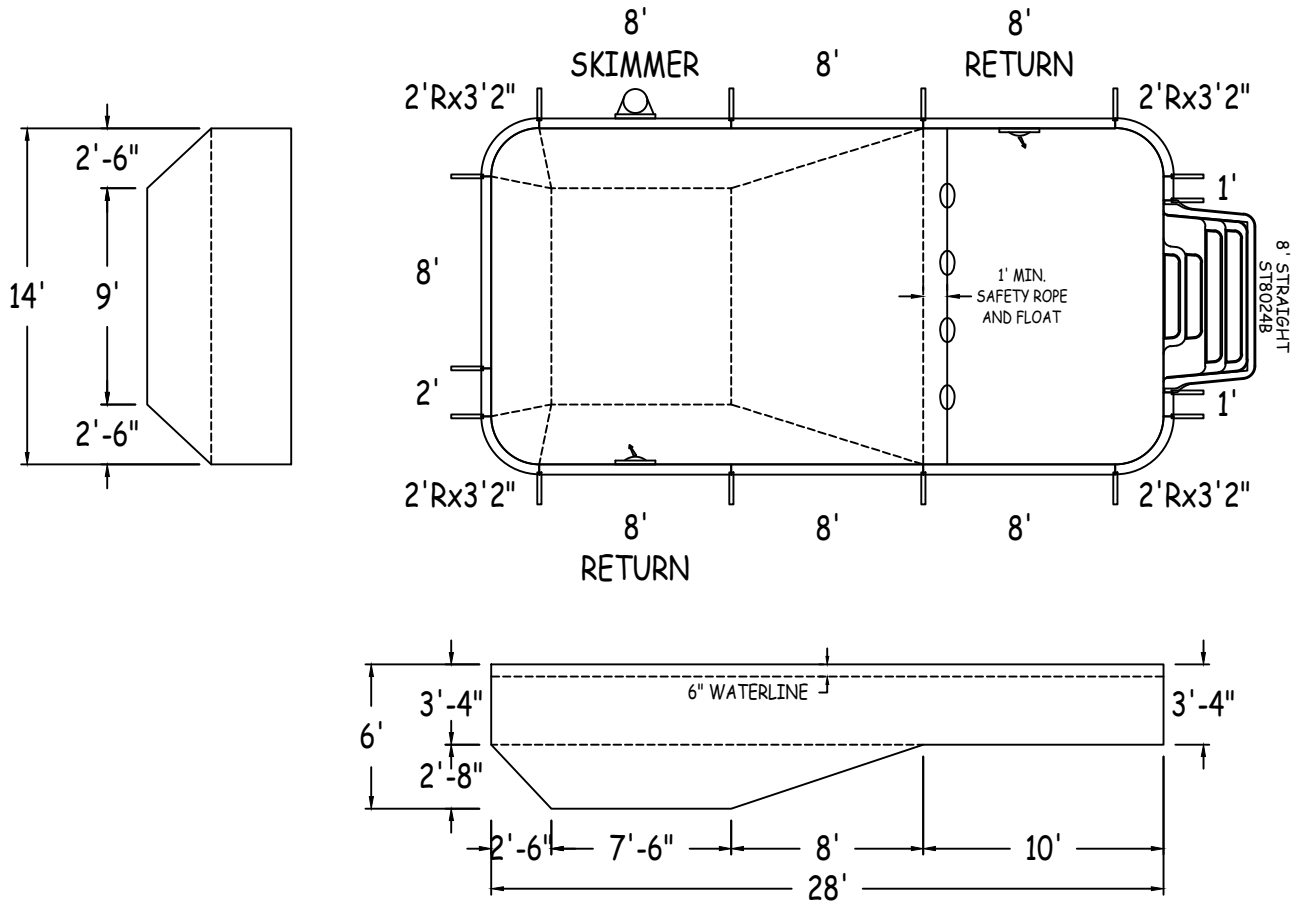


IN ACCORDANCE WITH ANSI/APSP/ICC-5 2011, THE INSTALLER IS RESPONSIBLE FOR PLACING ONE SKIMMER FOR EVERY 800 SQUARE FEET OF SURFACE AREA AND ONE RETURN FOR EVERY 300 SQUARE FEET OF SURFACE AREA.



**LATHAM STEEL**

**RECTANGLE 2FT RAD 14-0 x 28-0**



**NON-DIVING POOL**

USE OF DIVING EQUIPMENT IS PROHIBITED

CUSTOMER: SCP/OLIVE BRANCH

JOB NAME: 14X28/2R

42" STEEL PANELS

PERIMETER: 80'-7" VOLUME (US Gal): 10800

DWG#: 2024-SPL-04923

SURFACE (ft²): 389 VOLUME (Liters): 40900

KIT#: CUSTOMKIT

LINER (ft²): 392 DATE: 2/13/2024 DSR:

COVER (ft²): 480

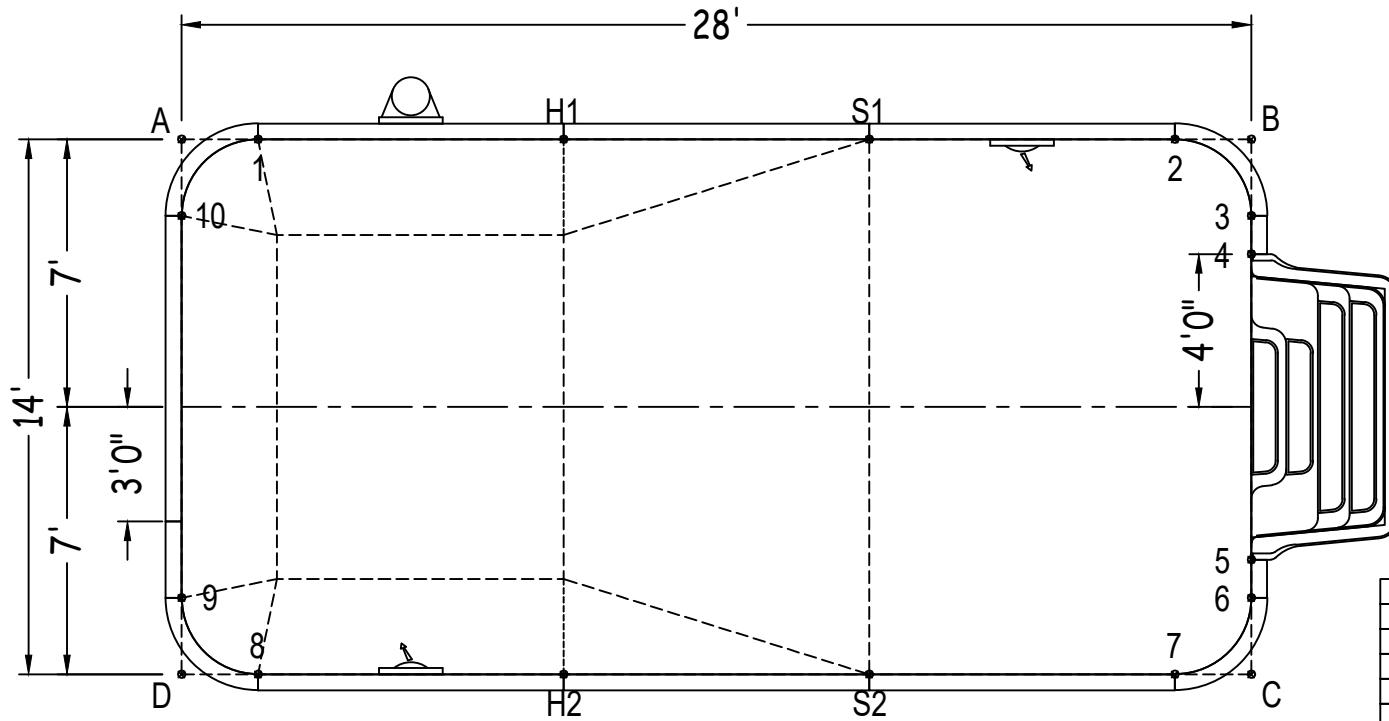
SCALE: 1/8" = 1'-0"

ALL ASPECTS OF THIS DRAWING COMPLIES WITH ANSI/APSP/ICC-5 2011 AND 2015 ISPSC

**RECTANGLE**

|           |            |            |            |           |            |
|-----------|------------|------------|------------|-----------|------------|
| Diagonals | 2 to 5     | 11'-2 1/4" | 4 to 10    | 28'- 1/4" |            |
| S1 to S2  | 14'-0"     | 2 to 6     | 12'-2"     | 5 to 6    | 1'-0"      |
| H1 to H2  | 14'-0"     | 2 to 7     | 14'-0"     | 5 to 7    | 3'-7 1/4"  |
| S1 to H1  | 8'-0"      | 2 to 8     | 27'-9 1/2" | 5 to 8    | 26'-2"     |
| S2 to H2  | 8'-0"      | 2 to 9     | 28'-7 3/4" | 5 to 9    | 28'- 1/4"  |
| S1 to H2  | 16'-1 1/2" | 2 to 10    | 26'-1"     | 5 to 10   | 29'-5"     |
| H1 to S2  | 16'-1 1/2" | 3 to 4     | 1'-0"      | 6 to 7    | 2'-10"     |
| 1 to 2    | 24'-0"     | 3 to 5     | 9'-0"      | 6 to 8    | 26'-1"     |
| 1 to 3    | 26'-1"     | 3 to 6     | 10'-0"     | 6 to 9    | 28'-0"     |
| 1 to 4    | 26'-2"     | 3 to 7     | 12'-2"     | 6 to 10   | 29'-8 3/4" |
| 1 to 5    | 28'-2 3/4" | 3 to 8     | 28'-7 3/4" | 7 to 8    | 24'-0"     |
| 1 to 6    | 28'-7 3/4" | 3 to 9     | 29'-8 3/4" | 7 to 9    | 26'-1"     |
| 1 to 7    | 27'-9 1/2" | 3 to 10    | 28'-0"     | 7 to 10   | 28'-7 3/4" |
| 1 to 8    | 14'-0"     | 4 to 5     | 8'-0"      | 8 to 9    | 2'-10"     |
| 1 to 9    | 12'-2"     | 4 to 6     | 9'-0"      | 8 to 10   | 12'-2"     |
| 1 to 10   | 2'-10"     | 4 to 7     | 11'-2 1/4" | 9 to 10   | 10'-0"     |
| 2 to 3    | 2'-10"     | 4 to 8     | 28'-2 3/4" |           |            |
| 2 to 4    | 3'-7 1/4"  | 4 to 9     | 29'-5"     |           |            |

|               |                                   | Base |
|---------------|-----------------------------------|------|
| Part number   | Description                       | QTY  |
| ST0960002X    | 8'                                | 4    |
| ST0960002*    | 8' SKIMMER                        | 1    |
| ST0960002*    | 8' RETURN                         | 2    |
| ST0240000X    | 2'                                | 1    |
| ST0120000X    | 1'                                | 2    |
| CN0380241X    | 2'Rx3'2"                          | 4    |
| Brace         | Brace                             | 15   |
| IPC-STKPK25   | REBAR STAKE 18" 25PC              | 2    |
| IPC-HDWSTR150 | BOLT STR 3/8-16X1" C/W NUT 150PC  | 2    |
| ST8024B       | THICKSHEET STEP STR SIT N STEP 8' | 1    |



|    | A          | B          | C          | D          |
|----|------------|------------|------------|------------|
| 1  | 2'-0"      | 26'-0"     | 29'-6 1/4" | 14'-1 3/4" |
| 2  | 26'-0"     | 2'-0"      | 14'-1 3/4" | 29'-6 1/4" |
| 3  | 28'- 3/4"  | 2'-0"      | 12'-0"     | 30'-5 1/2" |
| 4  | 28'-2"     | 3'-0"      | 11'-0"     | 30'-1"     |
| 5  | 30'-1"     | 11'-0"     | 3'-0"      | 28'-2"     |
| 6  | 30'-5 1/2" | 12'-0"     | 2'-0"      | 28'- 3/4"  |
| 7  | 29'-6 1/4" | 14'-1 3/4" | 2'-0"      | 26'-0"     |
| 8  | 14'-1 3/4" | 29'-6 1/4" | 26'-0"     | 2'-0"      |
| 9  | 12'-0"     | 30'-5 1/2" | 28'- 3/4"  | 2'-0"      |
| 10 | 2'-0"      | 28'- 3/4"  | 30'-5 1/2" | 12'-0"     |
| S2 | 22'-9 3/4" | 17'-2 1/2" | 10'-0"     | 18'-0"     |
| S1 | 18'-0"     | 10'-0"     | 17'-2 1/2" | 22'-9 3/4" |
| H2 | 17'-2 1/2" | 22'-9 3/4" | 18'-0"     | 10'-0"     |
| H1 | 10'-0"     | 18'-0"     | 22'-9 3/4" | 17'-2 1/2" |
| A  | -          | 28'-0"     | 31'-3 3/4" | 14'-0"     |