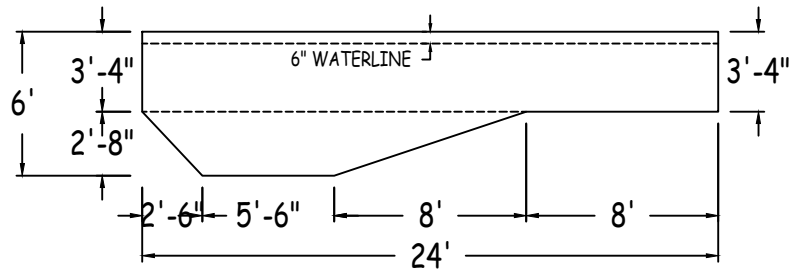
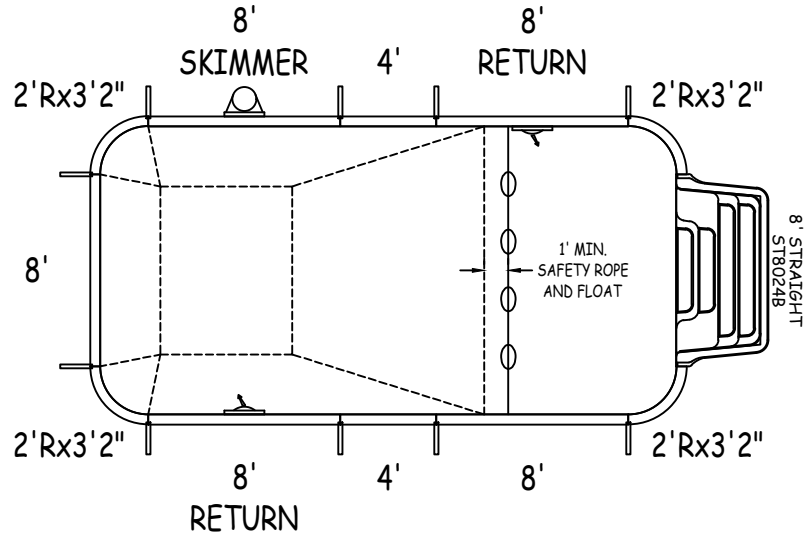
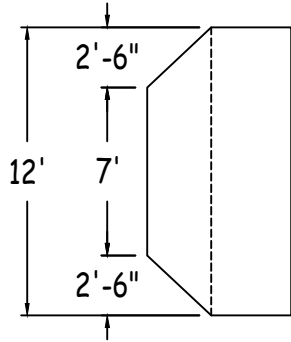


IN ACCORDANCE WITH ANSI/APSP/ICC-5 2011, THE INSTALLER IS RESPONSIBLE FOR PLACING ONE SKIMMER FOR EVERY 800 SQUARE FEET OF SURFACE AREA AND ONE RETURN FOR EVERY 300 SQUARE FEET OF SURFACE AREA.



**LATHAM STEEL**

**RECTANGLE 2FT RAD 12-0 x 24-0**

42" STEEL PANELS

PERIMETER: 68'-7" VOLUME (US Gal): 7900

DWG#: 2024-SPL-04922

SURFACE (ft²): 285 VOLUME (Liters): 29900

KIT#: CUSTOMKIT

LINER (ft²): 288 DATE: 2/13/2024 DSR:

COVER (ft²): 364

SCALE: 1/8" = 1'-0"

ALWAYS ENTER POOL

**NON-DIVING POOL**

USE OF DIVING EQUIPMENT IS PROHIBITED

ALL ASPECTS OF THIS DRAWING COMPLIES WITH ANSI/APSP/ICC-5 2011 AND 2015 ISPSC

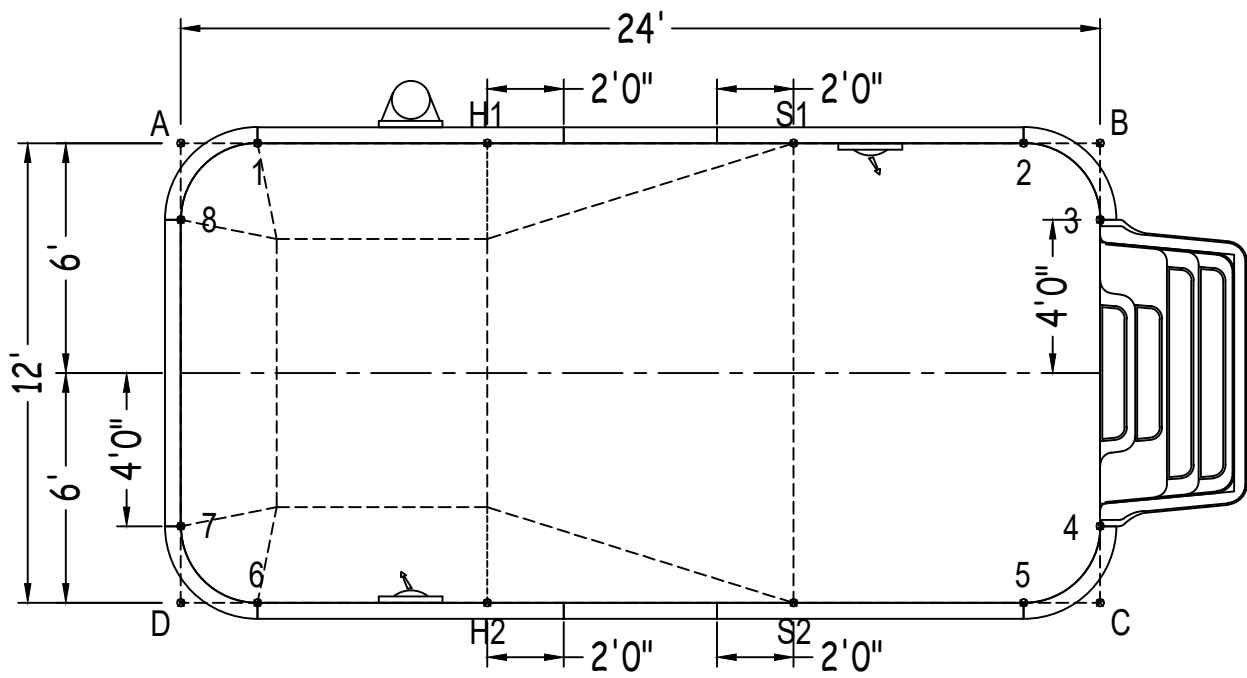
CUSTOMER: SCP/OLIVE BRANCH

JOB NAME: 12X24/2R

**RECTANGLE**

Diagonals	2 to 7	24'-2"
S1 to S2	12'-0"	2 to 8
H1 to H2	12'-0"	3 to 4
S1 to H1	8'-0"	3 to 5
S2 to H2	8'-0"	3 to 6
S1 to H2	14'-5"	3 to 7
H1 to S2	14'-5"	3 to 8
1 to 2	20'-0"	4 to 5
1 to 3	22'-1"	4 to 6
1 to 4	24'-2"	4 to 7
1 to 5	23'-4"	4 to 8
1 to 6	12'-0"	5 to 6
1 to 7	10'-2 1/2"	5 to 7
1 to 8	2'-10"	5 to 8
2 to 3	2'-10"	6 to 7
2 to 4	10'-2 1/2"	6 to 8
2 to 5	12'-0"	7 to 8
2 to 6	23'-4"	

		Base
Part number	Description	QTY
ST0960002X	8'	2
ST0960002*	8' SKIMMER	1
ST0960002*	8' RETURN	2
ST0480001X	4'	2
CN0380241X	2'Rx3'2"	4
Brace	Brace	10
IPC-STKPK25	REBAR STAKE 18" 25PC	1
IPC-HDWSTR150	BOLT STR 3/8-16X1" C/W NUT 150PC	1
ST8024B	THICKSHEET STEP STR SIT N STEP 8'	1



	A	B	C	D
1	2'-0"	22'-0"	25'- 3/4"	12'-2"
2	22'-0"	2'-0"	12'-2"	25'- 3/4"
3	24'-1"	2'-0"	10'-0"	26'-0"
4	26'-0"	10'-0"	2'-0"	24'-1"
5	25'- 3/4"	12'-2"	2'-0"	22'-0"
6	12'-2"	25'- 3/4"	22'-0"	2'-0"
7	10'-0"	26'-0"	24'-1"	2'-0"
8	2'-0"	24'-1"	26'-0"	10'-0"
S2	20'-0"	14'-5"	8'-0"	16'-0"
S1	16'-0"	8'-0"	14'-5"	20'-0"
H2	14'-5"	20'-0"	16'-0"	8'-0"
H1	8'-0"	16'-0"	20'-0"	14'-5"
A	-	24'-0"	26'-10"	12'-0"

RECTANGLE 2FT RAD 12-0 X 24-0

DWG #: 2024-SPL-04922

DATE: 2/13/2024

SHEET: 2 OF 2