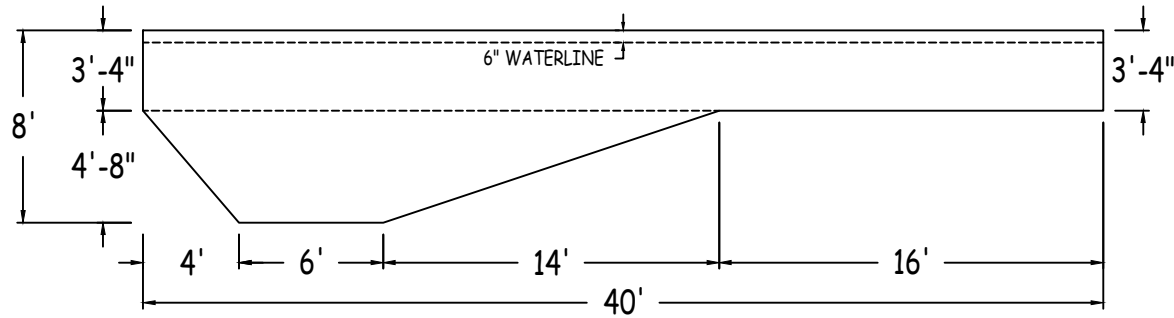
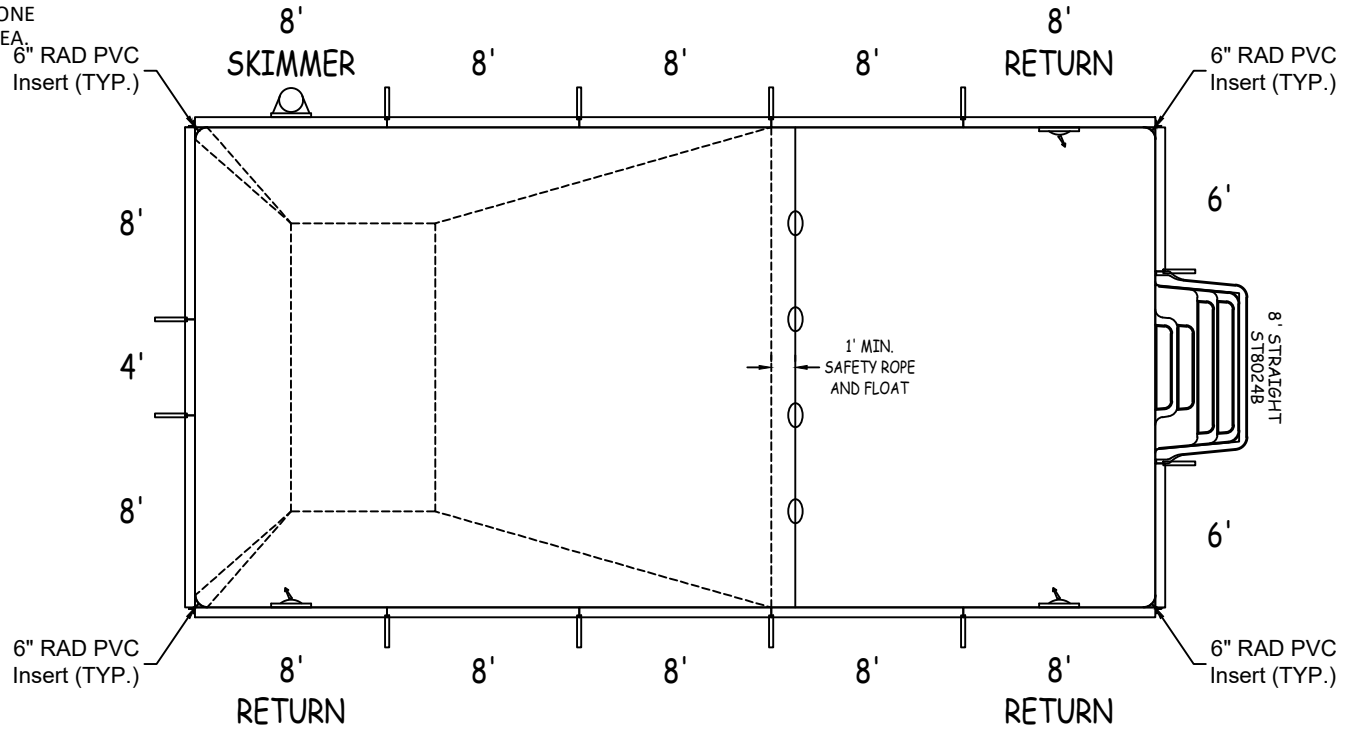
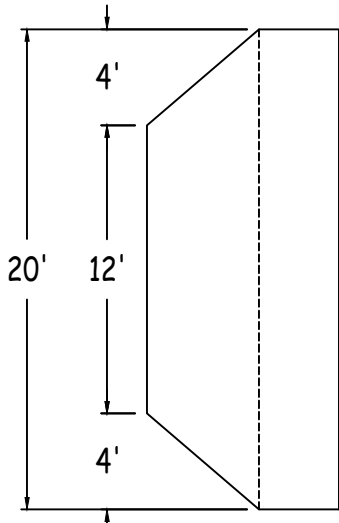


IN ACCORDANCE WITH ANSI/APSP/ICC-5 2011, THE INSTALLER IS RESPONSIBLE FOR PLACING ONE SKIMMER FOR EVERY 800 SQUARE FEET OF SURFACE AREA AND ONE RETURN FOR EVERY 300 SQUARE FEET OF SURFACE AREA.



LATHAM STEEL

RECTANGLE 6IN RAD 20-0 x 40-0

42" STEEL PANELS

PERIMETER: 120'-0" VOLUME (US Gal): 26300

DWG#: 2024-SPL-04934

SURFACE (ft²): 800 VOLUME (Liters): 99500

KIT#: CUSTOMKIT

LINER (ft²): 800 DATE: 2/13/2024 DSR:

COVER (ft²): 924

SCALE: 1/8" = 1'-0"



DIVING/SLIDING EQUIPMENT SHALL BE DESIGNED FOR SWIMMING POOLS AND SHALL BE INSTALLED IN ACCORDANCE WITH THE DIVING/SLIDING EQUIPMENT MANUFACTURER'S SPECIFICATIONS. PLEASE CONTACT THE DIVING/SLIDING EQUIPMENT MANUFACTURER FOR THEIR SPECIFICATIONS.

CUSTOMER: SCP/OLIVE BRANCH

JOB NAME: 20X40/6R

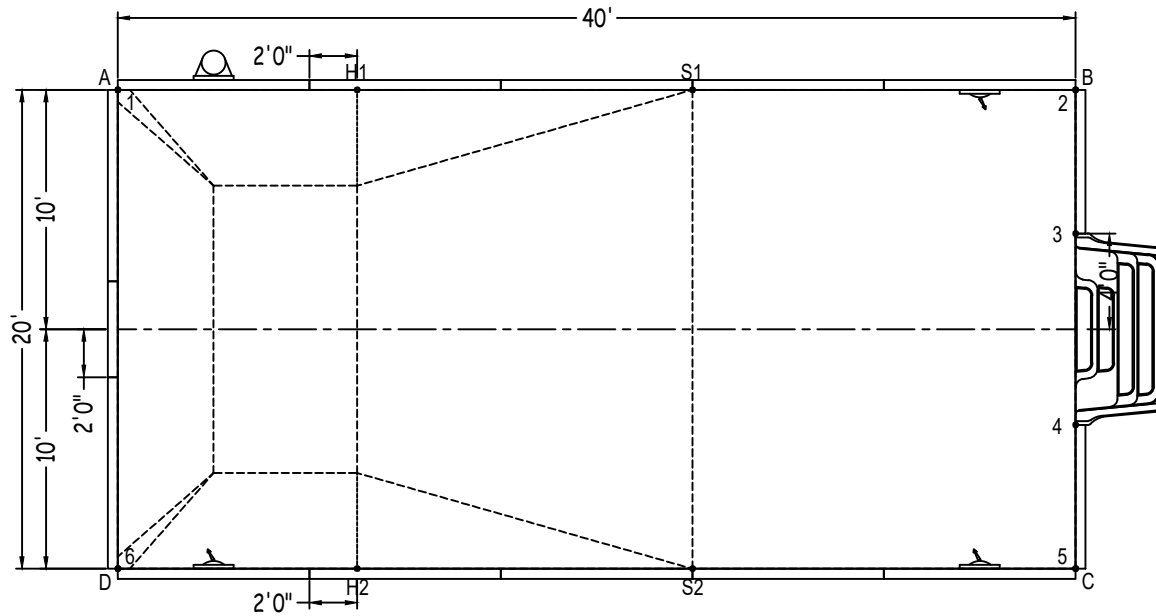
ALL ASPECTS OF THIS DRAWING COMPLIES WITH ANSI/APSP/ICC-5 2011 AND 2015 ISPSC

RECTANGLE

SHEET: 1 OF 2

Diagonals	3 to 6	42'-4 1/2"
S1 to S2	4 to 5	6'-0"
H1 to H2	4 to 6	40'-5 1/4"
S1 to H1	5 to 6	40'-0"
S2 to H2		
S1 to H2		
H1 to S2		
1 to 2		40'-0"
1 to 3		40'-5 1/4"
1 to 4		42'-4 1/2"
1 to 5		44'-8 3/4"
1 to 6		20'-0"
2 to 3		6'-0"
2 to 4		14'-0"
2 to 5		20'-0"
2 to 6		44'-8 3/4"
3 to 4		8'-0"
3 to 5		14'-0"

		Base
Part number	Description	QTY
ST0960002X	8'	8
ST0960002*	8' SKIMMER	1
ST0960002*	8' RETURN	3
ST0720001X	6'	2
ST0480001X	4'	1
Brace	Brace	12
IPC-AB90	CONNECTOR CNR ANGLE 90D 42"	4
IPC-AB90-INS6R	CORNER INSERT 6" RAD PVC 42"	4
IPC-STKPK25	REBAR STAKE 18" 25PC	2
IPC-HDWSTRT150	BOLT STR 3/8-16X1" C/W NUT 150PC	2
ST8024B	THICKSHEET STEP STR SIT N STEP 8'	1



	A	B	C	D
1	0"	40'-0"	44'-8 3/4"	20'-0"
2	40'-0"	0"	20'-0"	44'-8 3/4"
3	40'-5 1/4"	6'-0"	14'-0"	42'-4 1/2"
4	42'-4 1/2"	14'-0"	6'-0"	40'-5 1/4"
5	44'-8 3/4"	20'-0"	0"	40'-0"
6	20'-0"	44'-8 3/4"	40'-0"	0"
S2	31'-3"	25'-7 1/4"	16'-0"	24'-0"
S1	24'-0"	16'-0"	25'-7 1/4"	31'-3"
H2	22'-4 1/4"	36'-3/4"	30'-0"	10'-0"
H1	10'-0"	30'-0"	36'-3/4"	22'-4 1/4"
A	-	40'-0"	44'-8 3/4"	20'-0"