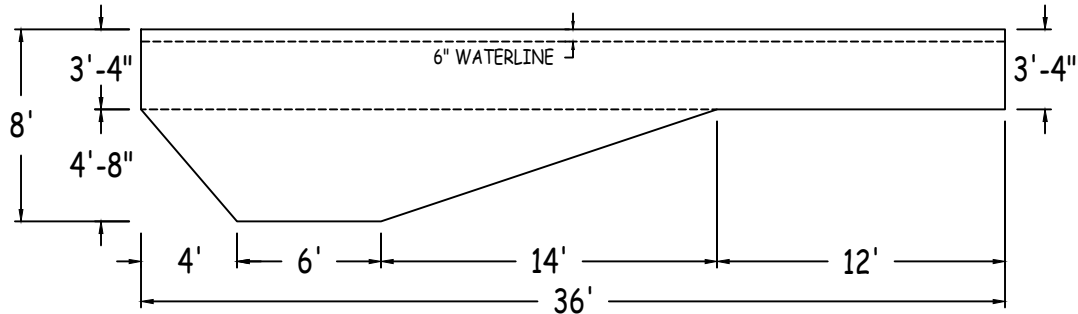
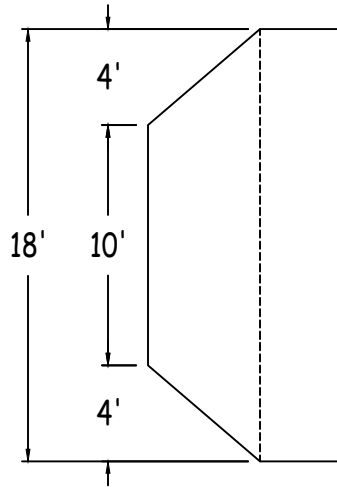
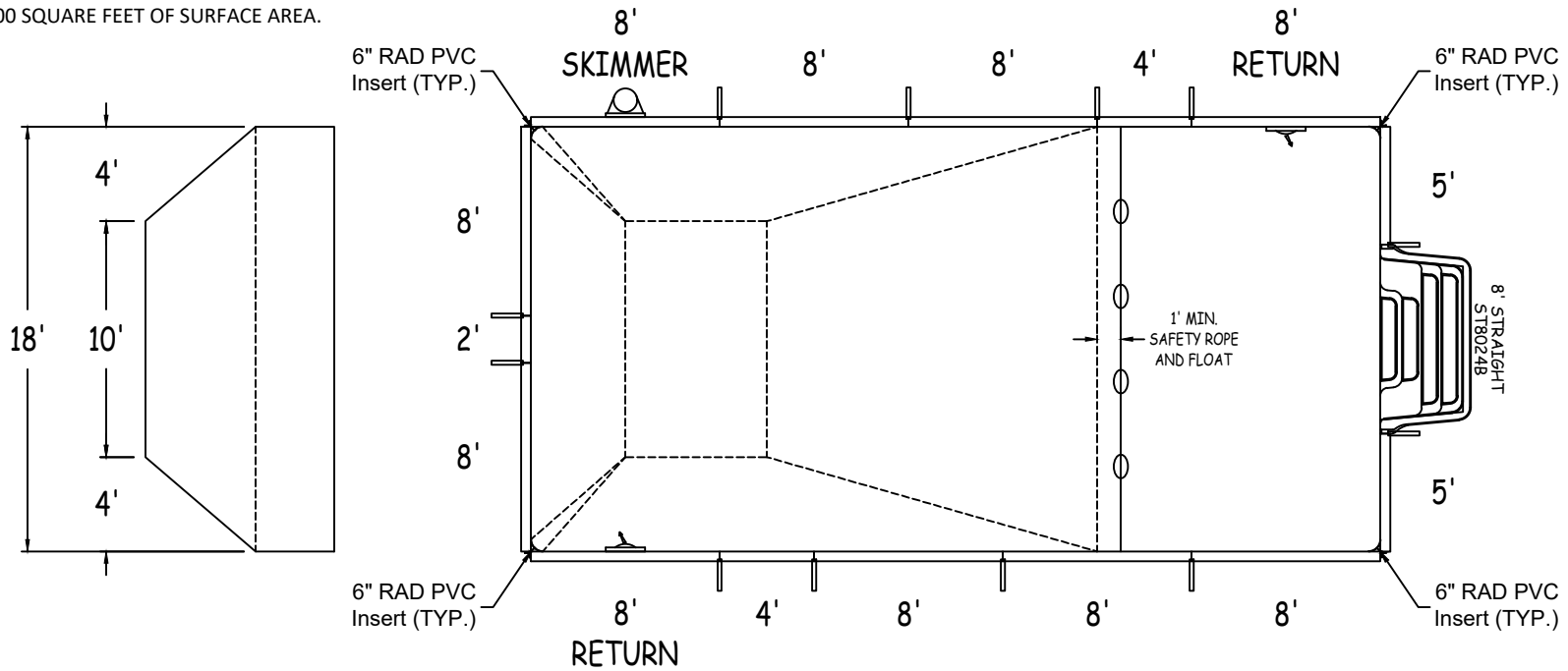


IN ACCORDANCE WITH ANSI/APSP/ICC-5 2011, THE INSTALLER IS RESPONSIBLE FOR PLACING ONE SKIMMER FOR EVERY 800 SQUARE FEET OF SURFACE AREA AND ONE RETURN FOR EVERY 300 SQUARE FEET OF SURFACE AREA.



**LATHAM STEEL**

**RECTANGLE 6IN RAD 18-0 x 36-0**

42" STEEL PANELS

PERIMETER: 108'-0" VOLUME (US Gal): 21300

DWG#: 2024-SPL-04933

SURFACE (ft²): 648 VOLUME (Liters): 80600

KIT#: CUSTOMKIT

LINER (ft²): 648 DATE: 2/13/2024 DSR:

COVER (ft²): 760

SCALE: 1/8" = 1'-0"



DIVING/SLIDING EQUIPMENT SHALL BE DESIGNED FOR SWIMMING POOLS AND SHALL BE INSTALLED IN ACCORDANCE WITH THE DIVING/SLIDING EQUIPMENT MANUFACTURER'S SPECIFICATIONS. PLEASE CONTACT THE DIVING/SLIDING EQUIPMENT MANUFACTURER FOR THEIR SPECIFICATIONS.

ALL ASPECTS OF THIS DRAWING COMPLIES WITH ANSI/APSP/ICC-5 2011 AND 2015 ISPSC

CUSTOMER: SCP/OLIVE BRANCH

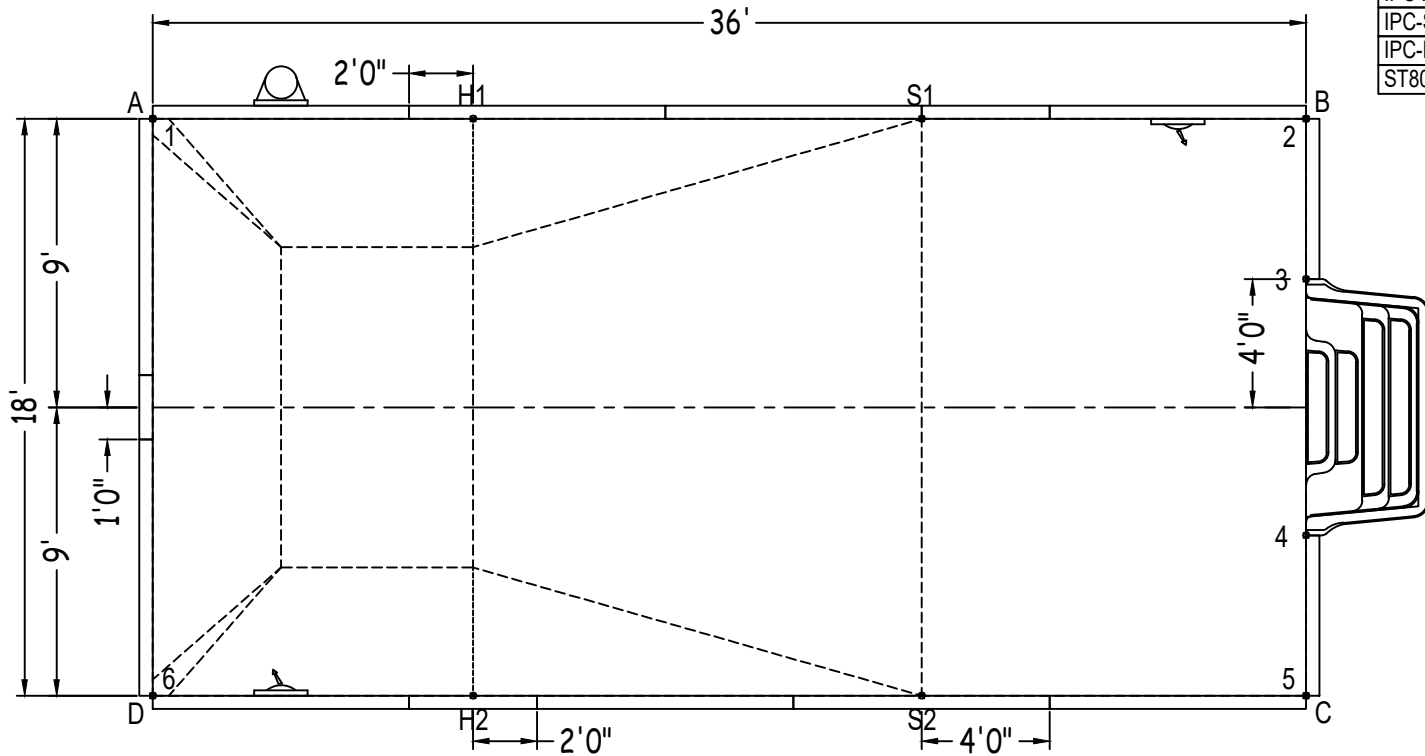
JOB NAME: 18X36/6R

**RECTANGLE**

SHEET: 1 OF 2

Diagonals	1 to 6	18'-0"
S1 to S2	2 to 3	5'-0"
H1 to H2	2 to 4	13'-0"
S1 to H1	2 to 5	18'-0"
S2 to H2	2 to 6	40'-3"
S1 to H2	3 to 4	8'-0"
H1 to S2	3 to 5	13'-0"
1 to 2	3 to 6	38'-3 1/4"
1 to 3	4 to 5	5'-0"
1 to 4	4 to 6	36'-4 1/4"
1 to 5	5 to 6	36'-0"

		Base
Part number	Description	QTY
ST0960002X	8'	7
ST0960002*	8' SKIMMER	1
ST0960002*	8' RETURN	2
ST0600001X	5'	2
ST0480001X	4'	2
ST0240000X	2'	1
Brace	Brace	12
IPC-AB90	CONNECTOR CNR ANGLE 90D 42"	4
IPC-AB90-INS6R	CORNER INSERT 6" RAD PVC 42"	4
IPC-STKPK25	REBAR STAKE 18" 25PC	2
IPC-HDWSTR150	BOLT STR 3/8-16X1" C/W NUT 150PC	2
ST8024B	THICKSHEET STEP STR SIT N STEP 8'	1



	A	B	C	D
1	0"	36'-0"	40'-3"	18'-0"
2	36'-0"	0"	18'-0"	40'-3"
3	36'-4 1/4"	5'-0"	13'-0"	38'-3 1/4"
4	38'-3 1/4"	13'-0"	5'-0"	36'-4 1/4"
5	40'-3"	18'-0"	0"	36'-0"
6	18'-0"	40'-3"	36'-0"	0"
S2	30'-0"	21'-7 1/2"	12'-0"	24'-0"
S1	24'-0"	12'-0"	21'-7 1/2"	30'-0"
H2	20'-7"	31'-7 1/2"	26'-0"	10'-0"
H1	10'-0"	26'-0"	31'-7 1/2"	20'-7"
A	-	36'-0"	40'-3"	18'-0"