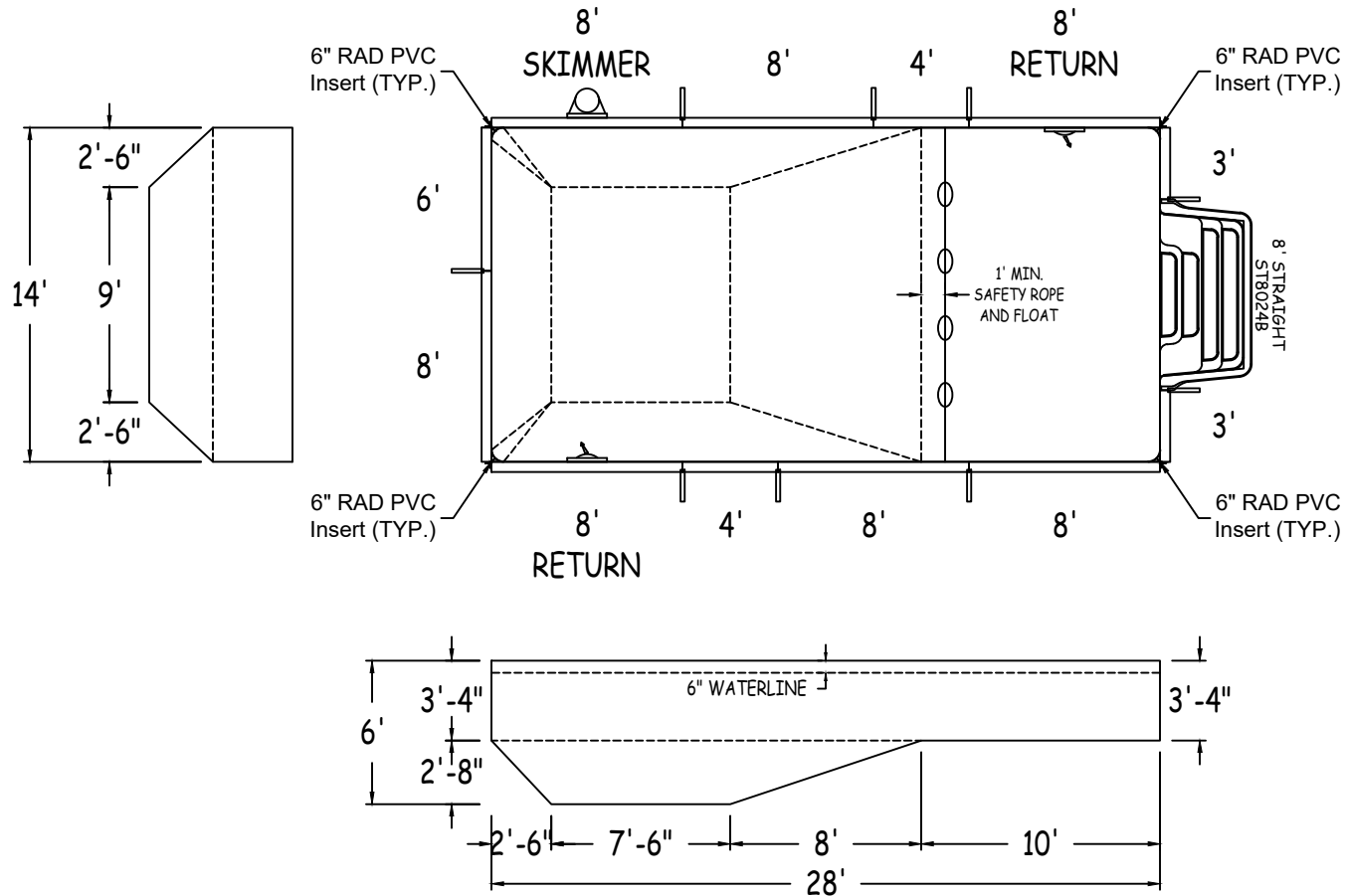


IN ACCORDANCE WITH ANSI/APSP/ICC-5 2011, THE INSTALLER IS RESPONSIBLE FOR PLACING ONE SKIMMER FOR EVERY 800 SQUARE FEET OF SURFACE AREA AND ONE RETURN FOR EVERY 300 SQUARE FEET OF SURFACE AREA.



LATHAM STEEL

RECTANGLE 6IN RAD 14-0 x 28-0



NON-DIVING POOL

USE OF DIVING EQUIPMENT IS PROHIBITED

CUSTOMER: SCP/OLIVE BRANCH

JOB NAME: 14X28/6R

42" STEEL PANELS

PERIMETER: 84'-0" VOLUME (US Gal): 10900

DWG#: 2024-SPL-04930

SURFACE (ft²): 392 VOLUME (Liters): 41200

LINER (ft²): 392

DATE: 2/13/2024 DSR:

KIT#: CUSTOMKIT

COVER (ft²): 480 SCALE: 1/8" = 1'-0"

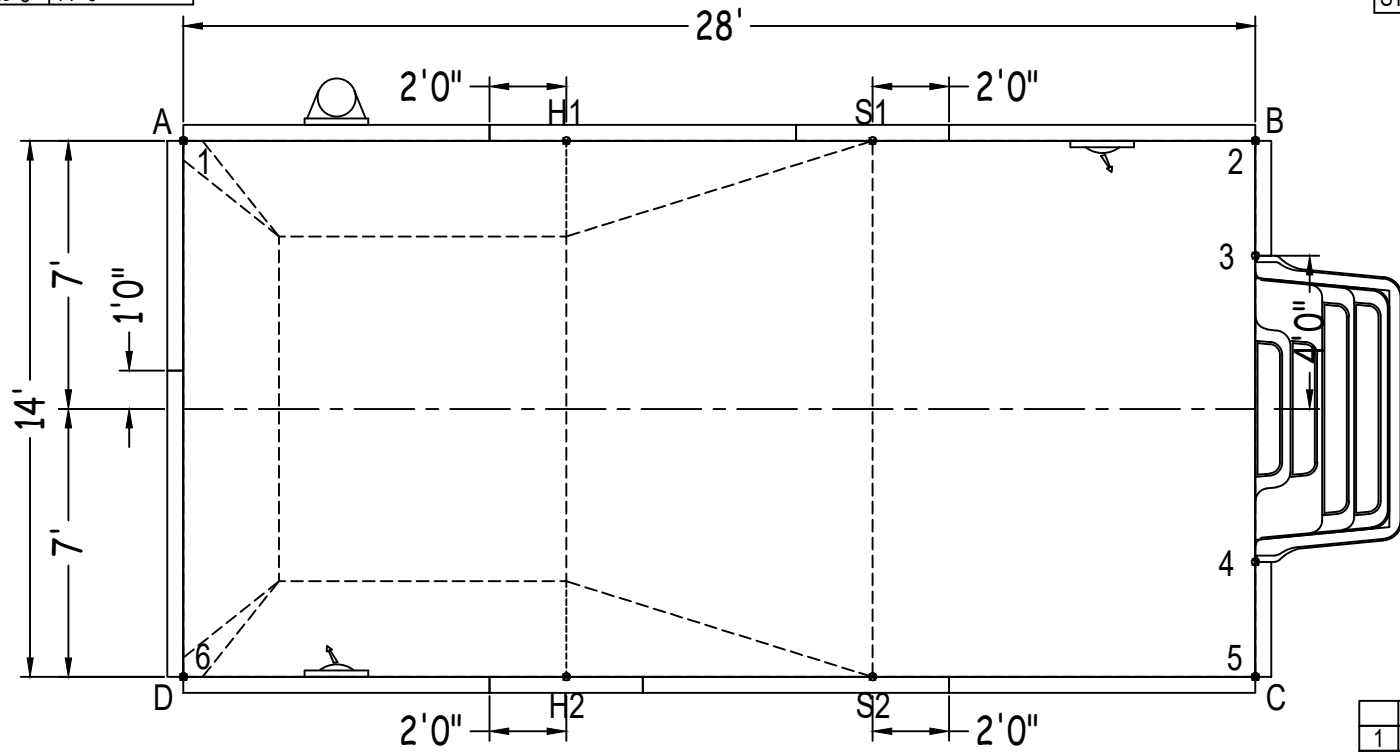
ALL ASPECTS OF THIS DRAWING COMPLIES WITH ANSI/APSP/ICC-5 2011 AND 2015 ISPSC

RECTANGLE

SHEET: 1 OF 2

Diagonals	3 to 6	30'-1"
S1toS2	4 to 5	3'-0"
H1toH2	4 to 6	28'-2"
S1toH1	5 to 6	28'-0"
S2toH2	8'-0"	
S1toH2	16'-1 1/2"	
H1toS2	16'-1 1/2"	
1 to 2	28'-0"	
1 to 3	28'-2"	
1 to 4	30'-1"	
1 to 5	31'-3 3/4"	
1 to 6	14'-0"	
2 to 3	3'-0"	
2 to 4	11'-0"	
2 to 5	14'-0"	
2 to 6	31'-3 3/4"	
3 to 4	8'-0"	
3 to 5	11'-0"	

		Base
Part number	Description	QTY
ST0960002X	8'	4
ST0960002*	8' SKIMMER	1
ST0960002*	8' RETURN	2
ST0720001X	6'	1
ST0480001X	4'	2
ST0360000X	3'	2
Brace	Brace	9
IPC-AB90	CONNECTOR CNR ANGLE 90D 42"	4
IPC-AB90-INS6R	CORNER INSERT 6" RAD PVC 42"	4
IPC-STKPK25	REBAR STAKE 18" 25PC	1
IPC-HDWSTR150	BOLT STR 3/8-16X1" C/W NUT 150PC	1
ST8024B	THICKSHEET STEP STR SIT N STEP 8'	1



	A	B	C	D
1	0"	28'-0"	31'-3 3/4"	14'-0"
2	28'-0"	0"	14'-0"	31'-3 3/4"
3	28'-2"	3'-0"	11'-0"	30'-1"
4	30'-1"	11'-0"	3'-0"	28'-2"
5	31'-3 3/4"	14'-0"	0"	28'-0"
6	14'-0"	31'-3 3/4"	28'-0"	0"
S2	22'-9 3/4"	17'-2 1/2"	10'-0"	18'-0"
S1	18'-0"	10'-0"	17'-2 1/2"	22'-9 3/4"
H2	17'-2 1/2"	22'-9 3/4"	18'-0"	10'-0"
H1	10'-0"	18'-0"	22'-9 3/4"	17'-2 1/2"
A	-	28'-0"	31'-3 3/4"	14'-0"