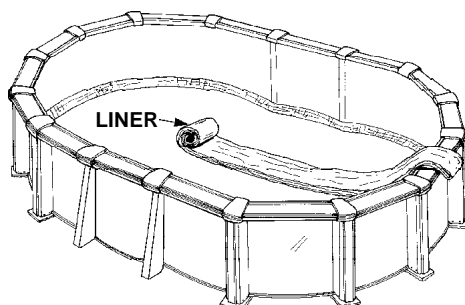


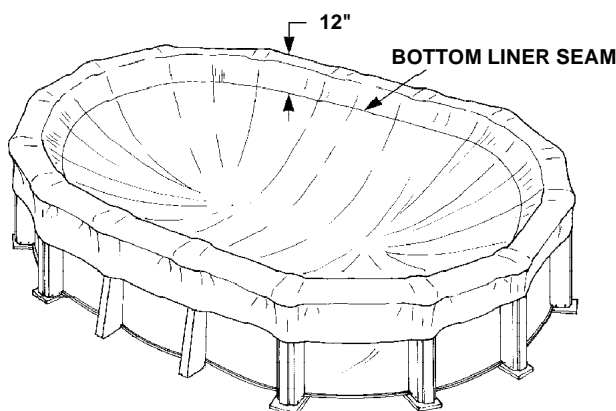
# LINER INSTALLATION

## LINER SEAM POSITIONING



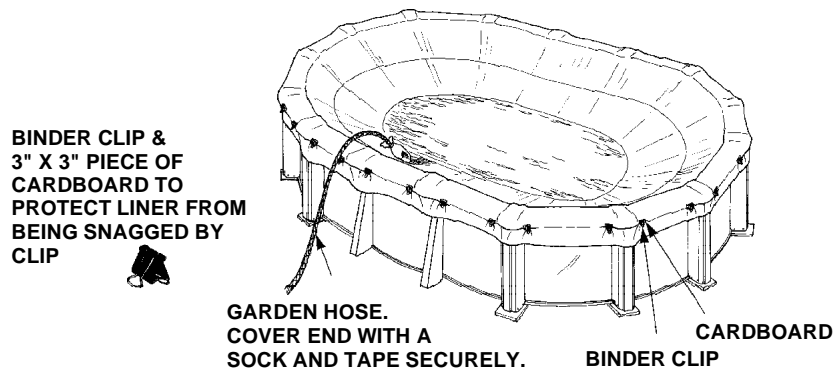
Remove all stakes. Check the pool floor (area inside pool wall) for levelness. For excavated pools, check flatness of sloping areas with 2" x 4" board. Fill in all slight depressions with sifted earth and tamp. Remove all stones and sharp objects. Fill in all footprints on pool floor. Place liner on top of top rail (at shallow end if excavated pool). The loose end should overhang outside of pool by about 12 inches. Hold end and unroll liner down middle of pool as you would a carpet. The center seam of the liner must be positioned at the center line of the pool for 10 and 12-foot wide pools. For 16 and 18-foot wide pools, position the center liner section (not the seam) at the center line of the pool. For excavated pools, the center seam or center section of the liner must begin at the shallow end and run along the center line of the pool to the deep end. **Note:** The embossed side and/or the printed side of the liner will be the water side.

## STRETCH LINER



Work in both directions from the point where the liner is overhanging. Unfold liner, drape over the top rail and down the sides approximately 24 inches. The liner should be 6" to 12" above the pool floor in the center ONLY. Remember that the center seam or center section of the liner must be positioned at the center line of the pool. The bottom edge seam of the liner should be inside the pool about 12 inches from the top rails. Correct any bunching or pleating conditions in the liner wall. Inspect liner for open seams. If any are found, return liner to dealer for prompt replacement.

# FILL POOL



With the liner in position, hold in place by attaching two binder clips over folded cardboard on the underside of each top rail. Carefully cover the end of a garden hose with a sock and tape securely as shown, place it in the pool and begin to fill. As pool fills, the liner will stretch as the water begins to cover the bottom. At this time, check the sidewall for extreme tautness. **Binder clips do not self-release.** Any area that feels too tight should be relieved by releasing the binder clips and allowing the liner to feed back into the pool until the desired tautness is achieved. Re-clamp binder clips before you proceed around the pool checking and re-clamping. Remember that you are monitoring a minimum tightness of liner over rail that will control the liner seating itself against the pool floor and up the side with no wrinkles. Continue monitoring the liner tension as the water is approaching and covering the cove area of the pool.

# FILL POOL

Be sure the liner is evenly distributed over the rail without any bunching or pleating. If this occurs, correct as you are adjusting the liner tension. To correct, grasp the liner wall nearest the wrinkled area. Pull and lift the liner wall just enough to stretch out wrinkles or pleats. It is easier if you wait until there is 1 to 2 inches of water over the wrinkled area before you try to remove it. This allows the weight of the water to hold liner flat on the ground, keeping out wrinkles after you remove them. Pull any excess liner over the rail and re-clamp in position so that a minimum tautness prevents further wrinkling. Double check around the pool so that you have an even tension on the liner wall down to the liner floor. Do not attempt to lift and pull the liner with more than 4 inches of water in the wrinkled area. Damage to the liner may occur.

When the water is approximately 6 inches up the metal wall and covering the cove, there should be just barely enough tension on the liner to control a wrinkle-free installation.

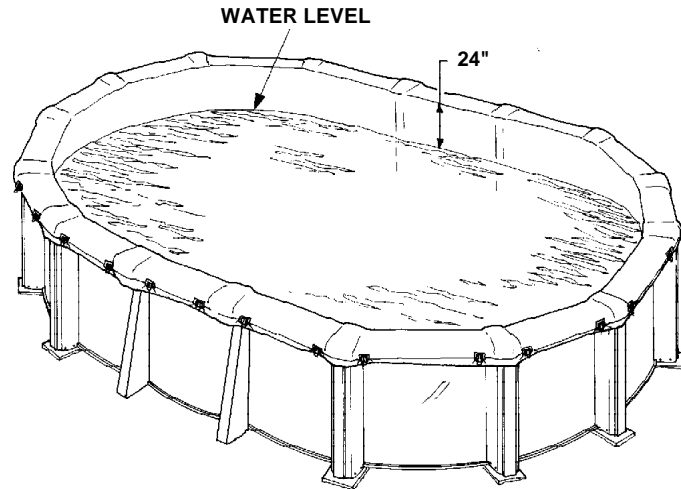
## **Filling Deep Excavated Pools (stretch-in liners only):**

It is important to remember that the floor of the liner (not the liner wall) must stretch into the excavated area. The bottom edge seam should be located in the cove area all the way around the pool when the pool is full of water. Stretch the liner properly or you will end up with the bottom edge seam somewhere on the bottom of the pool or not enough liner wall to go over the steel wall to complete the installation. When this happens, you may think you've received the wrong liner, when in fact the liner was improperly stretched into place.

**Cleaning Liner:** If you decide to drain the pool to clean the liner, or for any other reason, you must leave at least 1 foot (12 inches) of water, measured from ground level up the metal sidewall, in the pool. Failure to comply with this warning may void the warranty.

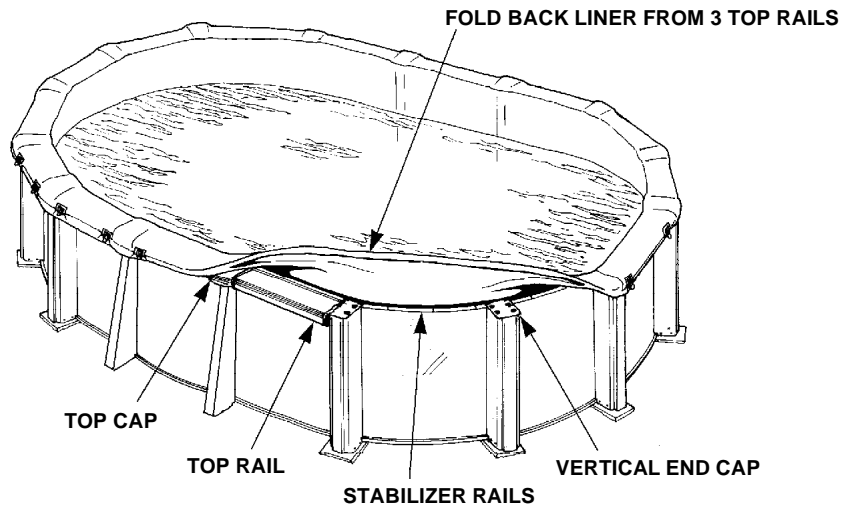
**Liner Replacement:** If you decide to replace the liner, you must have the replacement liner at the pool site and ready for immediate installation. DO NOT leave the pool standing without a liner. Do not attempt to install the replacement liner on a windy day. Severe wind damage to your pool may result.

# CONTINUE FILLING POOL



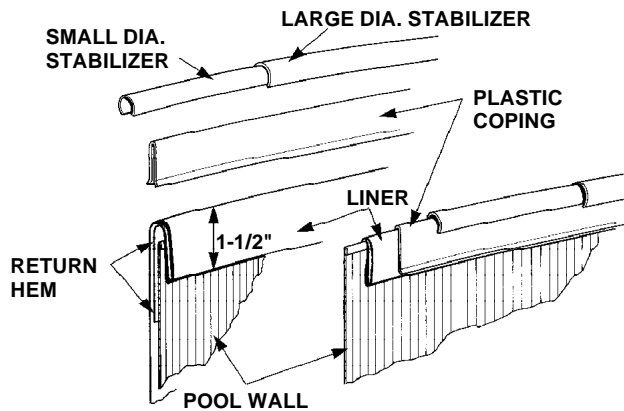
Continue filling pool. **Never allow liner to fall back into pool.** Water between the liner and wall can cause pool failure. When pool has approximately 24 inches of water, stop filling. Do not resume until Steps 24, 25 and 26 are completed. **CAUTION:** Do not cut any openings into liner at this time.

# PROCEDURE TO ATTACH LINER



With the help of two or three people, raise and hold the liner up from any three top rail sections. Remove four top caps, three top rails, two vertical end caps and stabilizer rails. **REMEMBER, NEVER ALLOW LINER TO FALL BACK INTO POOL.**

# INSTALL COPING AND STABILIZER RAILS



Make a return hem as illustrated. DO NOT cut off excess liner material as the liner will "Slip" from under the plastic coping, causing liner to fall back into the pool. **Smooth liner against wall and secure to top of wall with plastic coping.** Place stabilizer rails over

coping, alternately telescoping small diameter into large diameter about 6 inches as before. One large diameter stabilizer rail fits between each pair of side supports. They DO NOT telescope.

**NOTE:** At the skimmer and return openings only, the return hem must be cut away between the steel side wall and the liner side wall. (This will insure that there is only one thickness of liner material covering the skimmer and return openings to affect a positive gasket seal). DO NOT CUT the liner side wall at any other location. Replace all parts removed in Step 24. Repeat same steps for entire pool perimeter, working just three top rail sections at a time. DO NOT allow liner to fall back into pool.

## READ ME FIRST BOOKLET • WARNINGS • LABELS • SIGNS

With pool completely assembled, install skimmer, filter, etc. using the instructions provided with those units. Finish filling pool to the correct level as indicated on your skimmer face plate.

Now that you have installed your new pool, we would like you to know we are very concerned about your family's safety; so we have provided an assortment of safety literature with your new pool, but it is also a big responsibility. Please take the time to read, and understand all the safety literature provided.

**We have also provided you with an assortment of signs and decals. Safety decals and caution information provided with your pool have been endorsed by the U.S. Consumer Product Safety Commission.** It is mandatory that the pool owner and installer follow the installation and use directions for all provided safety signs and decals. We have also provided you with a booklet titled "Read Me First for Pool Safety," which will give you a detailed description of where and how to apply your safety decals and signs. **Remember, warnings only help if you put them up. Please help us protect the good health and safety of your family and friends! Read the "Read Me First for Pool Safety" book through completely and follow the directions in it. Don't forget to use a marking pen to write the number of a rescue agency on the signs and on the back of your "Read Me First" booklet. If any of your safety literature, signs or decals become lost or damaged; you can get more free of charge by contacting Customer Service Department: • 315 No. Sebastian St. • West Helena, AR 72390 or calling toll free: (877) 228-4586**

**Important! Above-ground pools are designed for swimming and wading only. Do not Dive or Jump! Misuse of your pool may result in crippling injury and/or other dangers to life and health. Do not use slides, diving boards, or any other platform or object which can be used for improper pool entry. Use only an above-ground swimming pool ladder or entry system to enter or exit your pool. Never attempt to swim or reach behind ladders or any other pool entry system. It is the pool owner's responsibility to secure the pool against unauthorized, unsupervised or unintentional entry.** It is also the pool owner's responsibility to warn all pool users of the hazards of diving into shallow water: paralyzing injury may result. Juveniles must be supervised at all times by a responsible adult as directed by the U.S. Consumer Product Safety Commission. **Always obey all safety rules. Remember, pool safety is everybody's responsibility.**

Change of Design: Hoffinger Industries expressly reserves the right to change or modify the design and construction of any product in due course of our manufacturing procedures, without incurring any obligation or liability to furnish or install such changes or modifications on products previously or subsequently sold.