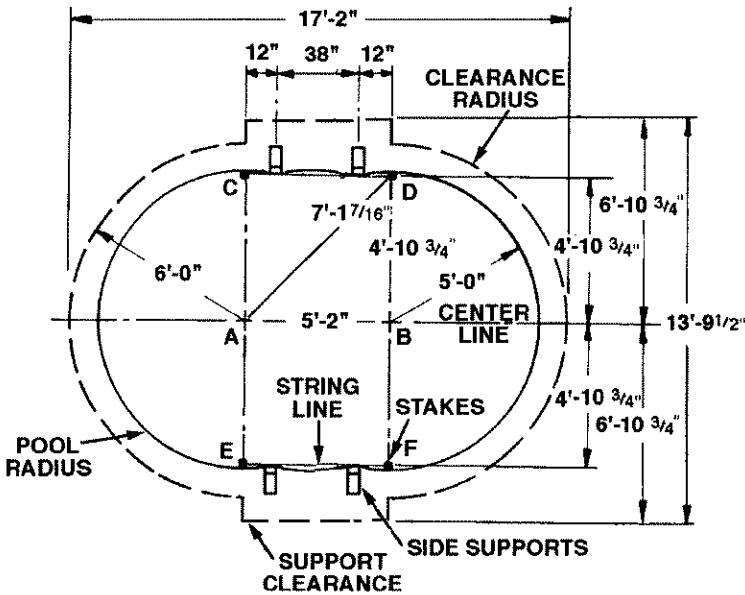


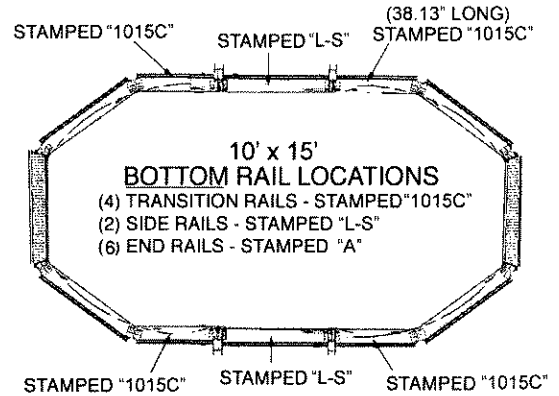
10'x15' OVAL POOL 7" SERIES ASSEMBLY GUIDE SUPPLEMENT

THIS SHEET IS USED IN CONJUNCTION WITH THE ASSEMBLY GUIDE BOOKLET. PLEASE REFER TO THE FOLLOWING INFORMATION BELOW WHEN LAYING OUT THE POOL, LAYING OUT THE BOTTOM RAILS AND ATTACHING THE TOP RAILS. REFER TO THE ASSEMBLY GUIDE BOOKLET FOR ALL OTHER INFORMATION REGARDING THE COMPLETE POOL ASSEMBLY AND IMPORTANT SAFETY INFORMATION.

POOL LAYOUT 10' x 15'

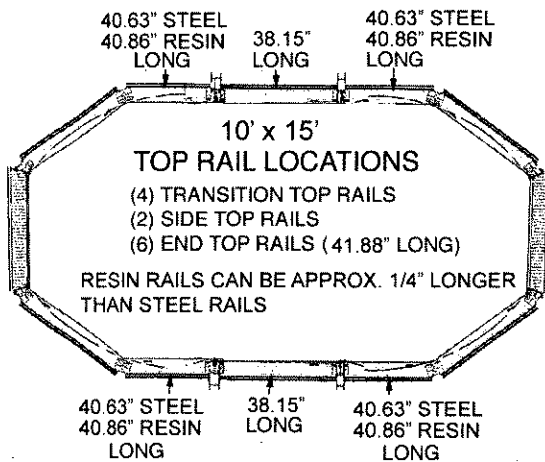


BOTTOM RAIL LOCATIONS 10' x 15'



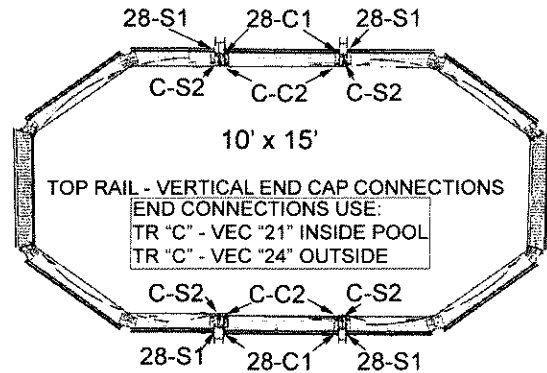
Place bottom rails stamped "L-S" between the side verticals. Place the bottom rails stamped "1015C" on the outside edge of the side supports as shown above. Place bottom rails stamped "A" on the ends of the pool.

TOP RAIL LOCATIONS

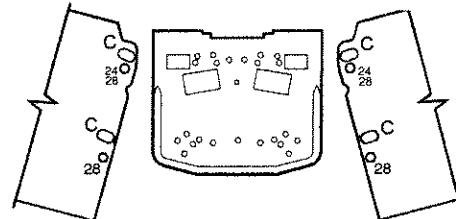


Refer to the diagram above for proper top rail placement. RESIN TOP RAILS CAN BE APPROX. 1/4" LONGER THAN STEEL TOP RAILS.

TOP RAIL ATTACHMENT



REFER TO THE DIAGRAM BELOW FOR TOP RAIL HOLE IDENTIFICATION



Attach the top rails to the vertical end cap using the hole patterns shown above using #10 x 1/2" screws. Resin top rails will not be stamped so use diagram above for identification. Example: On the ends of the pool, attach top rail hole "C" to vertical cap hole "21" inside pool and top rail hole "C" to vertical cap hole "24" outside pool.