

In-Wall Pool Step Assembly Instructions

BE SURE TO READ ALL INSTRUCTIONS CAREFULLY PRIOR TO INSTALLATION.

DO NOT USE STEP IF THE "NO DIVING" DECAL IS NOT APPLIED.
 CONTACT CUSTOMER SERVICE AT 1-877-228-4586 FOR REPLACEMENT.
 MISUSE OF YOUR POOL AND/OR POOL STEP MAY RESULT IN CRIPPLING INJURY AND/OR OTHER DANGERS TO LIFE AND HEALTH.

NO DIVING DECAL PART NUMBER: 560-1041
 SMALL NO DIVING DECAL P/N : 560-1044



SOLID CONCRETE CAP BLOCKS MUST BE USED FOR STEP INSTALLATION. WARRANTY WILL BE VOIDED IF NOT USED.

This instruction sheet is to be used in conjunction with the pool assembly guide included with your pool. Follow all directions carefully and pre-read all instructions prior to assembly.

Important - The step is installed in place of one bottom rail/top rail section for most pools. Some round-pools with extra long bottom rails will require the use of 2 short bottom rails and 2 short top rails to make up the distance, Refer to FIG 4A on the next page for an example. Be sure to measure the diameter of your bottom frame once the step is in place to make sure the diameter is correct for your pool size. No cutting of top rails or bottom rails is needed. On a 18ft oval, the step can only be positioned on either side of the direct center of the oval radius ends.

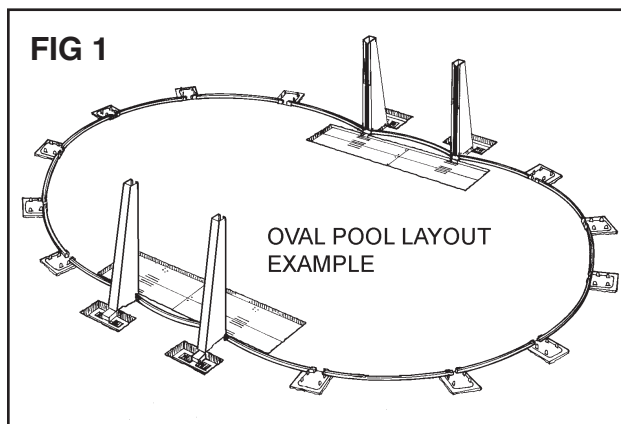
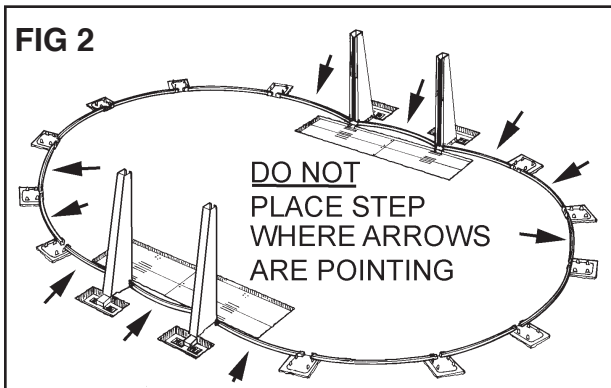
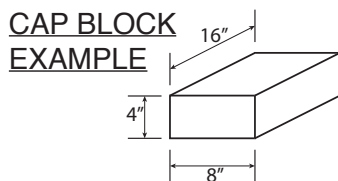
The step is intended to be used in-ground or with a deck. The step must have a deck support around it to prevent any misuse entering or exiting the pool.

Follow the directions in your pools assembly guide until you have completed the section on laying out the bottom rail framework, See Fig 1 below. At this point you will need to decide where you want to locate the pool step. Remember, the step can only be located at the radius ends of an oval, See Fig 2 below. The skimmer and return holes in the pool wall will be located to the left of the step (when standing inside the pool area and facing the step), so keep this in mind when locating the pool step.

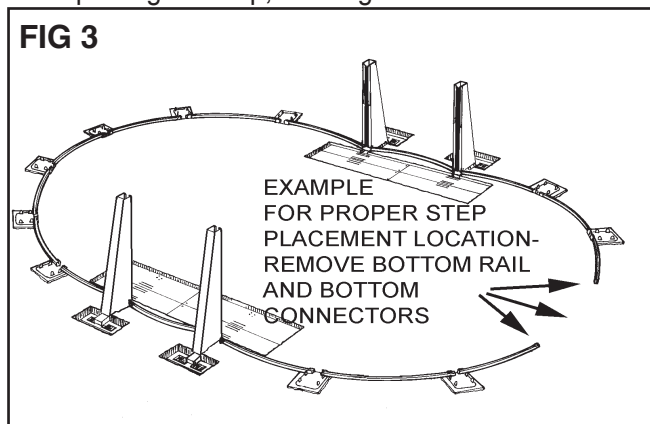
Materials required:

- (8) 4" x 8" x 16" solid concrete cap blocks
- (5) 60 lb bags of quick set concrete (for step trench)

THESE MUST BE USED TO SUPPORT THE STEP AND SUPPORT POST.



Once the step location has been decided, remove (1) bottom rail and (2) bottom connectors from the area you will be placing the step, See Fig 3.BELOW



BE SURE TO READ ALL INSTRUCTIONS CAREFULLY PRIOR TO INSTALLATION.

DIG TRENCH FOR STEP:

Refer to the illustration below for trench dimensions that will allow the step to sit level with the surrounding area. Once the pool location has been determined and leveled following the pool assembly instructions, you will need to dig a trench for the bottom of the step to rest in.

Refer to the next page for proper step location and bottom rail locations before excavating trench.

Refer to Fig. A for marking out area for the step trench. The end of the bottom rail will be the outer edge of the trench area, as shown below.

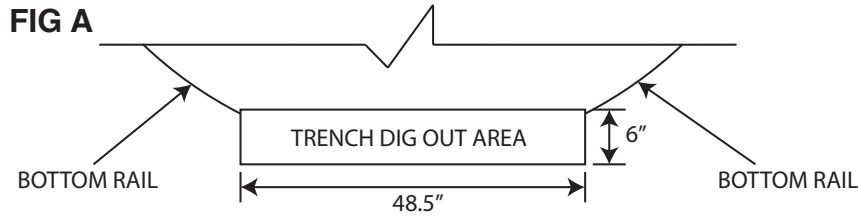
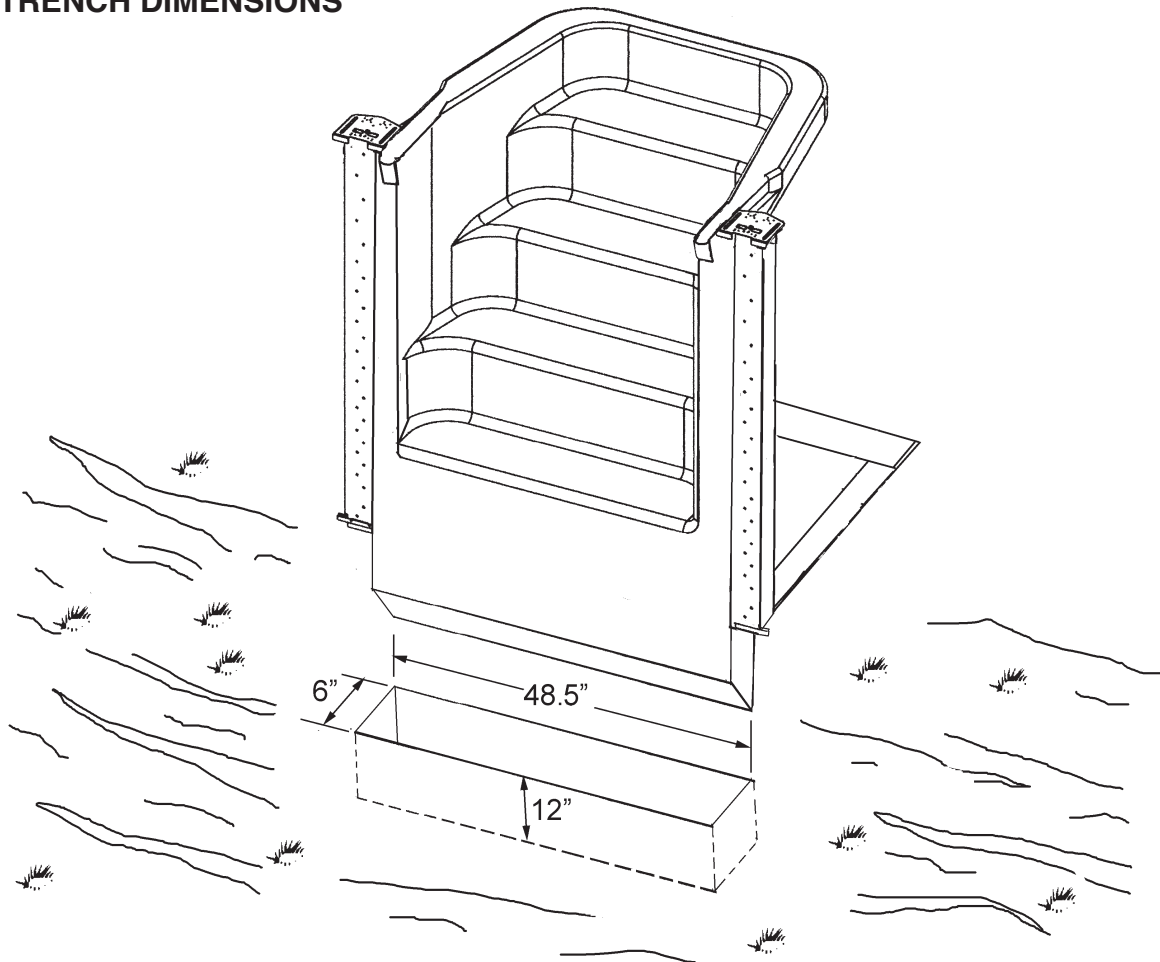


FIG B

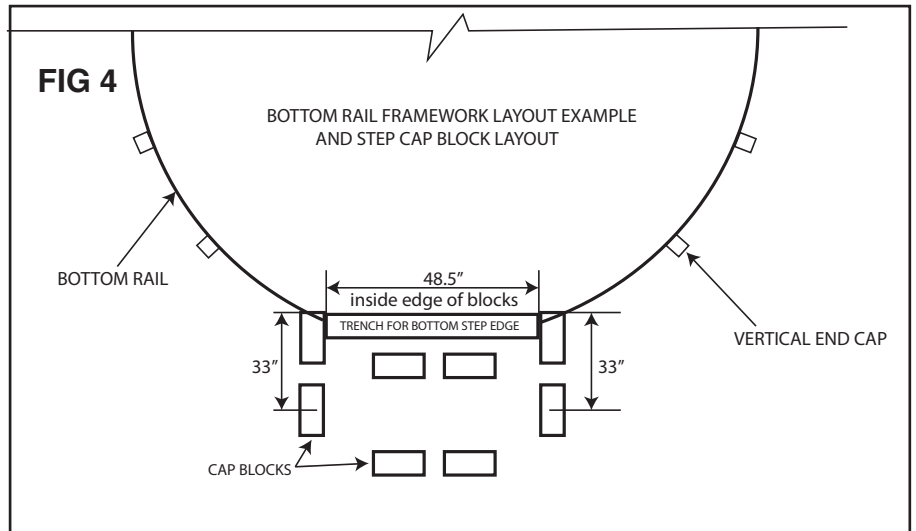
TRENCH DIMENSIONS



BE SURE TO READ ALL INSTRUCTIONS CAREFULLY PRIOR TO INSTALLATION.

Once the trench is excavated you will be able to place the step in it's location. Refer to FIG A and B on the previous page for trench dimensions. READ ALL INSTRUCTIONS PRIOR TO STARTING ANY INSTALLATION.

Scribe around the area where each step side support vertical and the area where the support brace contacts the ground on the outer edge. This is where you will locate (4) 4" x 8" x 16" solid concrete cap blocks. See FIG 4 for reference. Once those blocks have been placed then you will need to scribe the area where the support post will rest for the remaining cap blocks. Refer to Fig 4A below on where to start each block location before starting. Disconnect the bottom rails from the step and move the step assembly aside. Excavate the scribed area so the cap blocks will sit level and be level to the surrounding area. **The cap blocks are required and must be used to prevent the support post and the support brace from sinking into the ground. Return the step to the original location and re-attach bottom rails to each side. Make sure the step sits level on top of the patio blocks and adjust if needed.**



SOLID CONCRETE CAP BLOCKS MUST BE USED FOR STEP INSTALLATION. WARRANTY WILL BE VOIDED IF NOT USED.

The diagram below shows cap blocks numbered 1 thru 8 and dimensions for the support pipe locations when centered on the blocks numbered 5 thru 8.

Locate the area where blocks 1 thru 4 will be placed and excavate these blocks first. Once these blocks are in place and level, place the step in position and mark the remaining block locations and excavate blocks 5 and 6 first, then blocks 7 and 8 and make sure all blocks are level with the surrounding area.

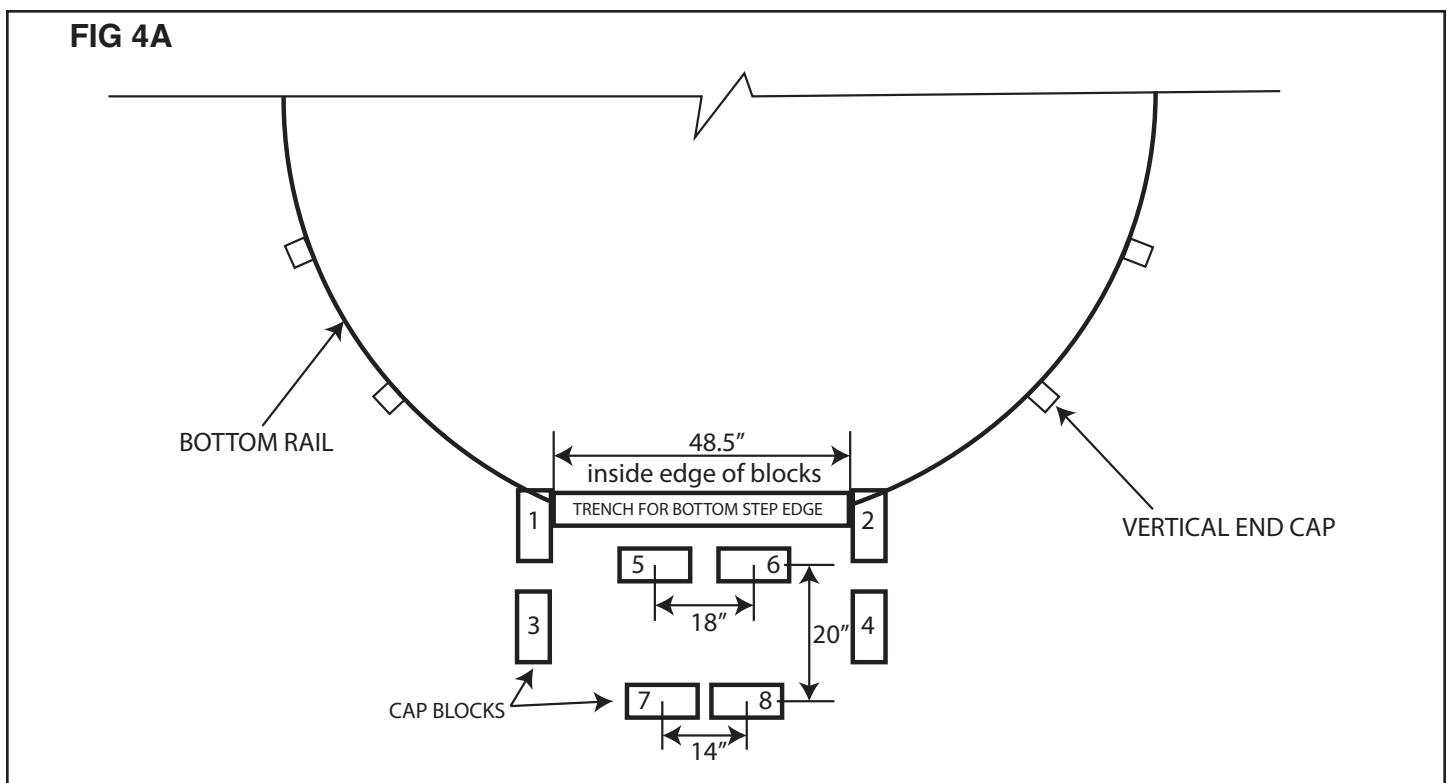
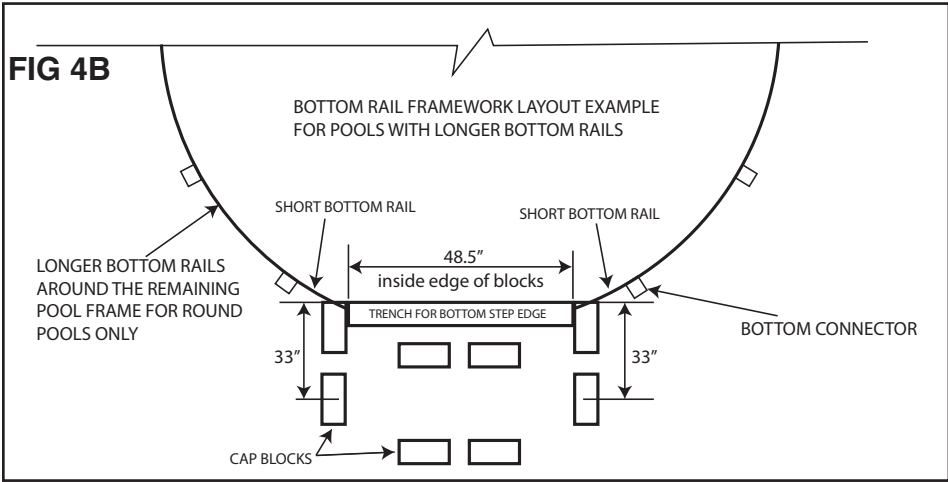
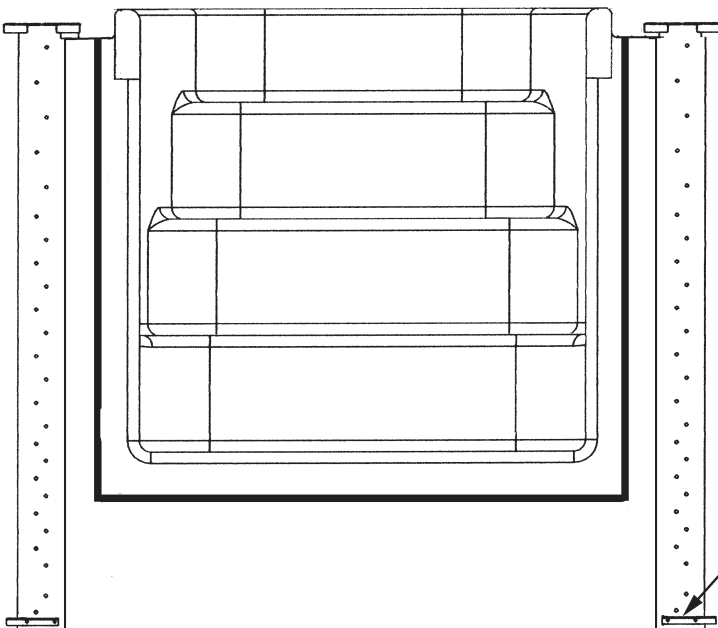


FIG 4B

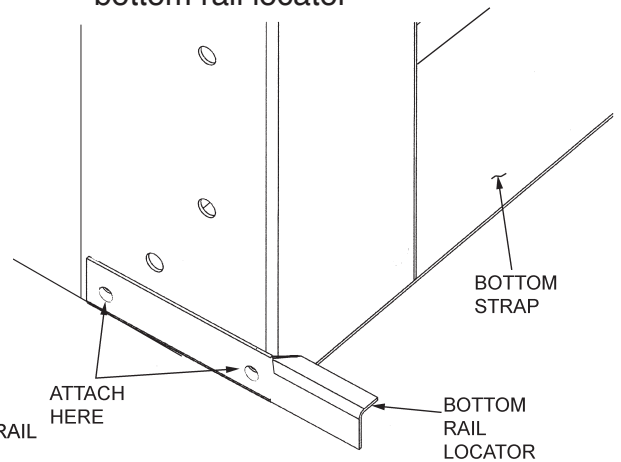


REFER TO THE DIAGRAM ON THE LEFT FOR STEP PLACEMENT AND SHORT BOTTOM RAIL PLACEMENT, IF YOUR POOL CAME WITH (2) SHORT BOTTOM RAILS. THE SHORT BOTTOM RAILS ARE PLACED ON THE BOTTOM RAIL LOCATORS AND BOTTOM CONNECTORS CLOSEST TO THE STEP AS SHOWN. THERE WILL ALSO BE (2) SHORTER TOP RAILS THAT WILL BE USED WHERE THE SHORTER BOTTOM RAILS ARE LOCATED.

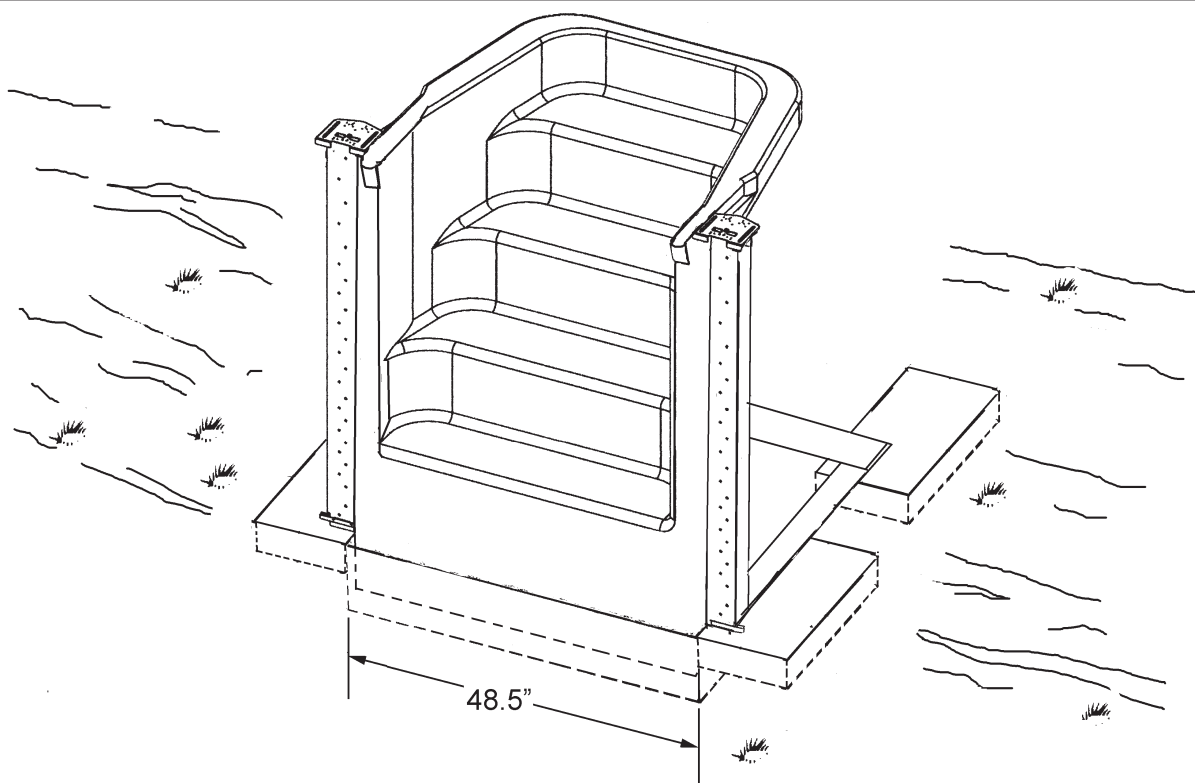
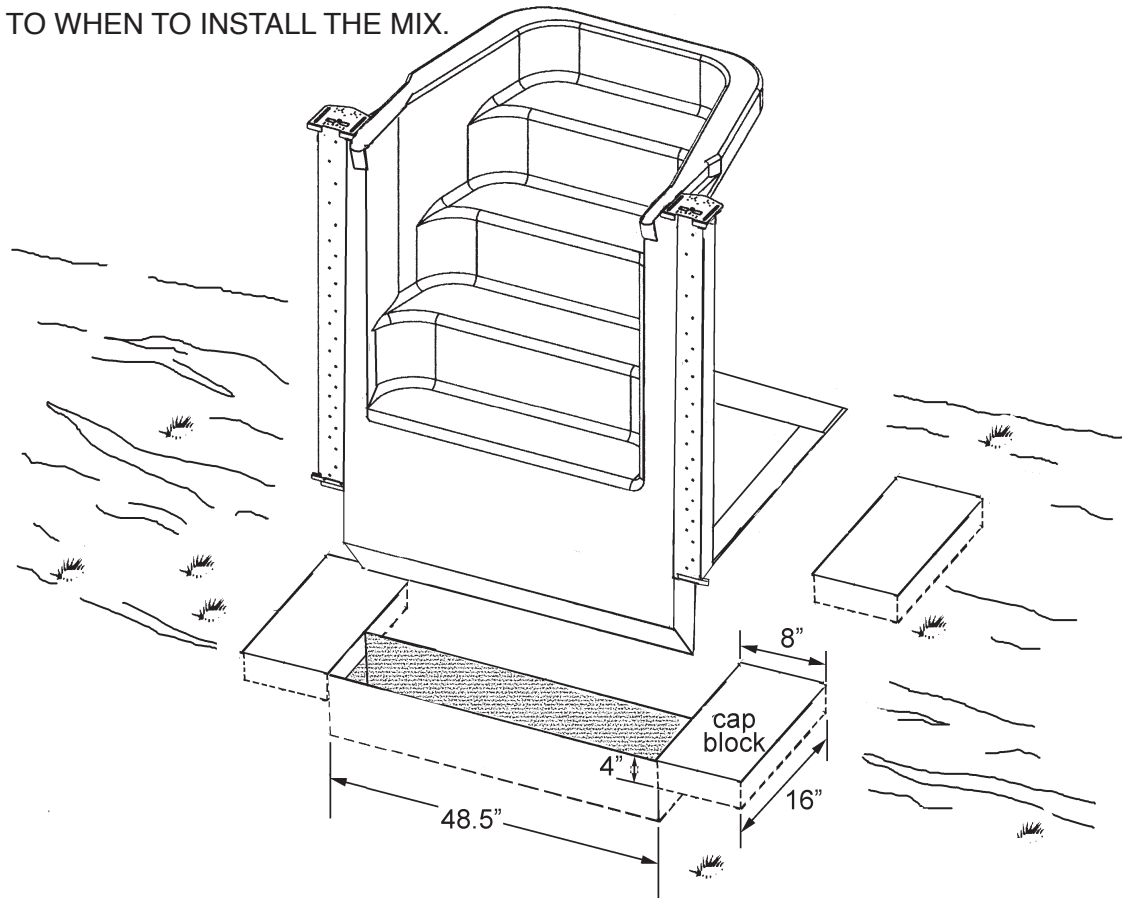
If your pool step doesn't have the bottom rail locators already assembled, attach the left and right bottom rail locators to the bottom of the step as shown below. The locator is used to hold the bottom rail in place while assembling the pool wall. Insert the bottom rails on each side of the step onto the bottom rail locator prior to installing the pool wall.



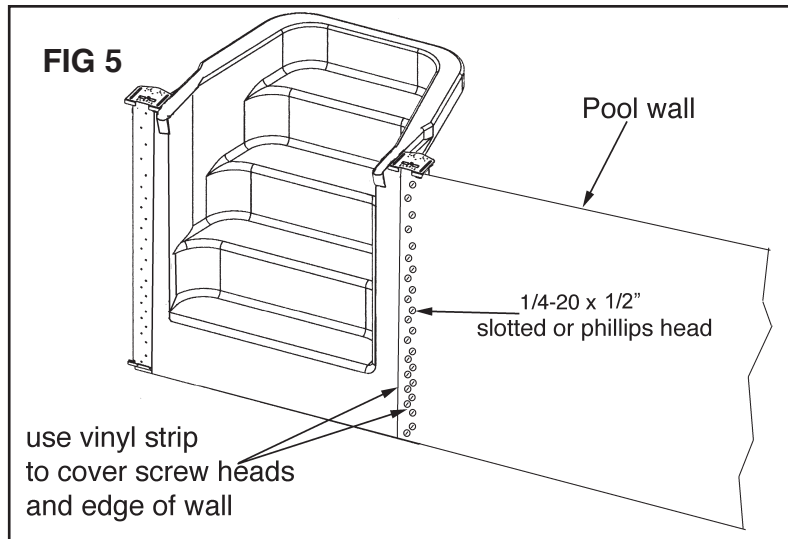
Close-up view of right side bottom rail locator



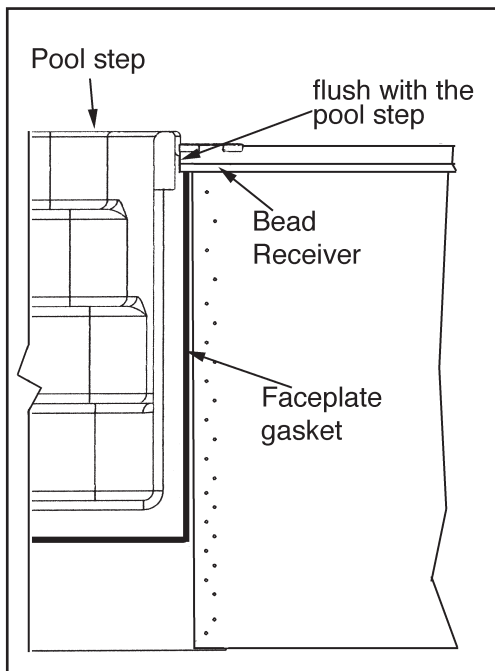
Refer to the following illustrations for cap block installation. After the trench and cap blocks are installed, you will be able to place the step back into it's position and install the wall and other components according to your pools assembly instructions. THE TRENCH WILL NEED TO BE FILLED WITH THE QUICK SET CONCRETE MIX AFTER THE POOL WALL, VERTICALS AND TOP RAILS HAVE BEEN INSTALLED AND BEFORE THE LINER IS INSTALLED. LET THE CONCRETE MIX SET UP PRIOR TO FILLING WITH WATER. DON'T DO THIS STEP UNTIL YOU ARE READY TO INSTALL THE LINER. REFER TO PAGE 6 IN THIS INSTRUCTION GUIDE AS TO WHEN TO INSTALL THE MIX.



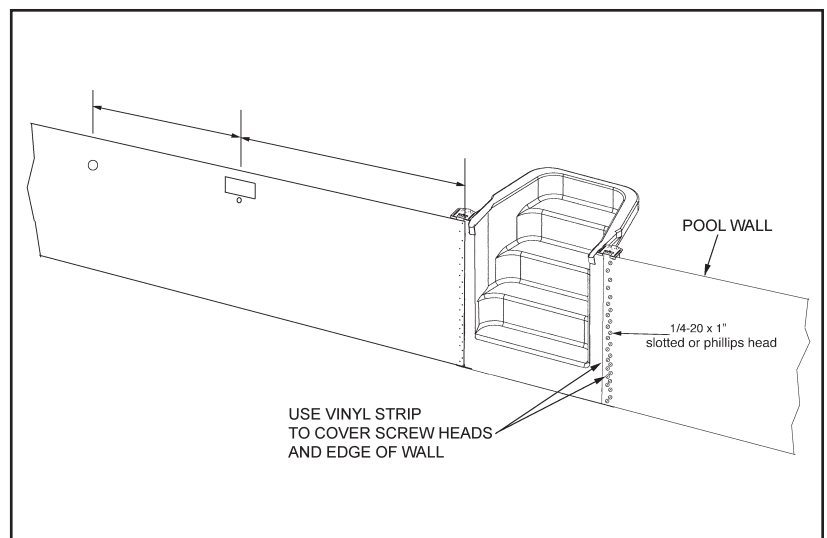
Refer to your pools assembly guide about installing the wall before starting this step. Start the pool wall on the right side of the step assembly by uncoiling the pool wall about 6 to 10 feet and insert bottom edge into groove in the bottom rail track. Slide the end of the wall joint towards the step until the holes in the wall joint line up with the holes in the step vertical. Be sure the top edge of the wall slides under the vertical end cap before fastening wall to vertical. See FIG 5, Insert **1/4-20 x 1/2"** long pan head screws with the screw head to the inside of the pool wall and 1/4-20 locknut on the inside of the vertical. Loosely attach all the screws and nuts first, then tighten them securely. Recheck the tightness of the screws and nuts at least twice to insure a proper seat. File off any sharp burrs on the screw heads, then place the protective wall strip over the screws and the **edge of the pool wall** and secure with duct tape. Be careful and do not get any tape over the gasket sealing area. Finish installing the wall around the perimeter of the pool until you reach the other side of the step and repeat the steps above to attach wall to step vertical. Refer to your pools assembly guide for directions installing the wall to help insure the wall is installed correctly.



WHEN INSTALLING THE BEAD RECEIVER FOR A BEADED LINER START/ STOP THE RECEIVER ON THE OUTSIDE EDGE OF THE STEP AND OVER THE GASKET. YOU WILL NEED TO CUT APPROX 1-1/2" OFF THE TOP OF THE STEP FACEPLATE SO IT WILL FIT AT THE BOTTOM EDGE OF THE BEAD RECEIVER. SEE ILLUSTRATION BELOW.



SKIMMER CUTOUT WILL BE LOCATED AT THE END OF THE POOL WALL AS SHOWN BELOW.



Return to your pools assembly guide to install verticals, top rails and other hardware and pool cove. Once you've completed the section in your pools assembly guide about pool cove and have installed pool cove around the inside perimeter of the pool, you will need to place a piece of pre-formed cove or build a dirt/earth cove at the base of the pool step approximately 4" high.

NOW IS THE TIME TO FILL THE TRENCH WITH QUICK SET CONCRETE MIX. FILL THE TRENCH WITH THE MIXTURE FROM THE INSIDE AND OUTSIDE OF THE STEP AND LET IT CURE BEFORE INSTALLING THE LINER. IF THE MIXTURE DOES NOT COMPLETELY FILL THE TRENCH, FILL THE REMAINING AREA WITH DIRT AND PACK DOWN FIRMLY SO IT IS LEVEL WITH THE SURROUNDING AREA. THE TRENCH AREA INSIDE THE POOL NEEDS TO PACKED FIRMLY ALSO AND A POOL COVE BUILT AT THE BASE OF THE STEP OR USE PRE-FORMED COVE.

Before you install the liner, you will need to remove the face plate strips from the step. Make sure the gasket remains attached to the step.

WHEN INSTALLING THE BEAD RECEIVER FOR A BEADED LINER START/STOP THE RECEIVER ON THE OUTSIDE EDGE OF THE STEP AND OVER THE GASKET. YOU WILL NEED TO CUT OFF A PORTION FROM THE TOP OF THE STEP FACEPLATE SO IT WILL FIT AT THE BOTTOM EDGE OF THE BEAD RECEIVER.

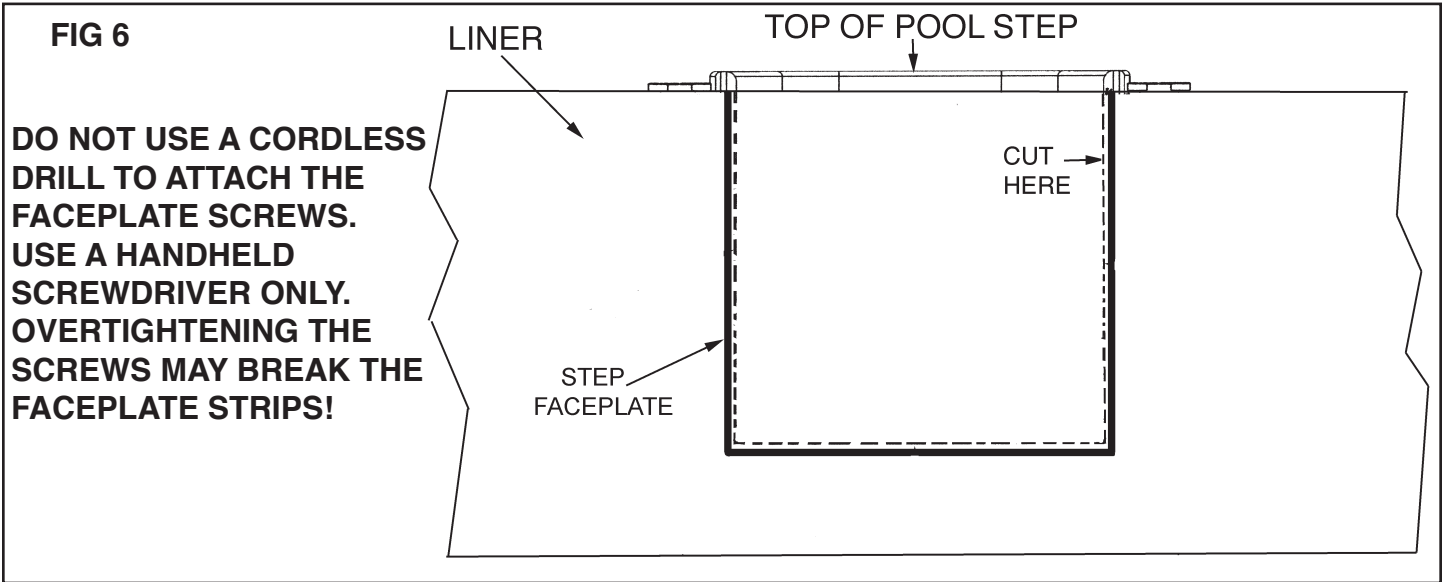
Install the liner per the instructions included with the liner or your pools assembly guide. If you are installing a beaded liner, you will need start the liner on each side of the step approximately six feet and making sure not to stretch the liner between the step opening, then continue around the pool installing the liner into the bead receiver. Before installing an oval liner, make sure the liner is aligned correctly with the pool layout.

When you start filling the pool with water, you will need to pay close attention to the liner at the step area for any wrinkles and adjust them as needed immediately, you will not be able to do this once the water level reaches a certain depth because there will be too much weight on the liner to press out any wrinkles.

WHEN THE WATER DEPTH IS APPROXIMATELY 10" FOR 52" TALL POOLS OR 12" FOR 54" TALL POOLS AND THE LINER IS AGAINST THE POOL WALL AT THE BOTTOM, YOU WILL FASTEN THE BOTTOM FACE PLATE STRIP TO THE POOL STEP FIRST USING THE SUPPLIED SCREWS . DO NOT USE A CORDLESS DRILL TO ATTACH THE FACEPLATE SCREWS, ONLY USE A HANDHELD SCREWDRIVER. IF YOU OVERTIGHTEN THE SCREWS YOU MAY BREAK THE FACEPLATE! Find a screw hole that will line up with the corresponding bottom faceplate screw hole and attach screw, follow the holes in the faceplate to attach the remaining screws to the bottom faceplate. Do not allow the liner to wrinkle behind the faceplate, this can cause a leak to occur. **DO NOT ALLOW THE LINER TO WRINKLE BEHIND THE FACEPLATE.**

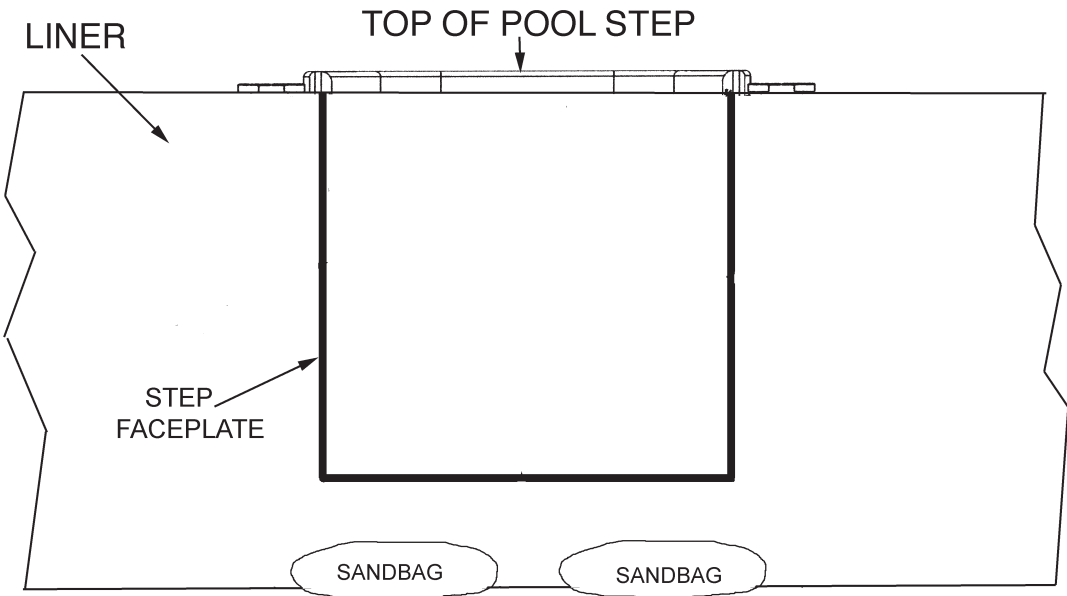
Finish installing the remaining left and right face plate strips. You will need to cut off a portion from the top of the left and right faceplate to allow it to fit at the bottom edge of the bead receiver. You will have to trim the cover strip the same amount and finish off the top of the strip with the strip cap. Make sure all screws are tight and secure before adding the cover strips over the face plate. At this point you are ready to trim the liner area at the step opening. Make sure you trim the liner on the correct side of the face plate SEE FIG. 6. Trim along the inside edge of the face plate along the opening until the liner is completely trimmed. **Continue filling pool and watch for any wrinkles and adjust as needed.** If a leak occurs around the liner face plate, re-tighten all screws and check again.

See page 8 for **Alternative sandbag method** to install step faceplate strips before filling pool with water.



Alternative sandbag method

Another method that can be used to install the step faceplate strips before filling with water, is to use 50 lb sandbags to weigh down the liner. Place the sandbags below the step as shown below to stretch the liner and pull the liner down. Make sure the sandbags are positioned correctly so they will stretch the liner similar to filling with water. Once the liner is stretched, follow the directions listed on page 7 in these instructions to attach the step faceplate strips. Remember to only use a handheld screwdriver so you will not overtighten the screws.



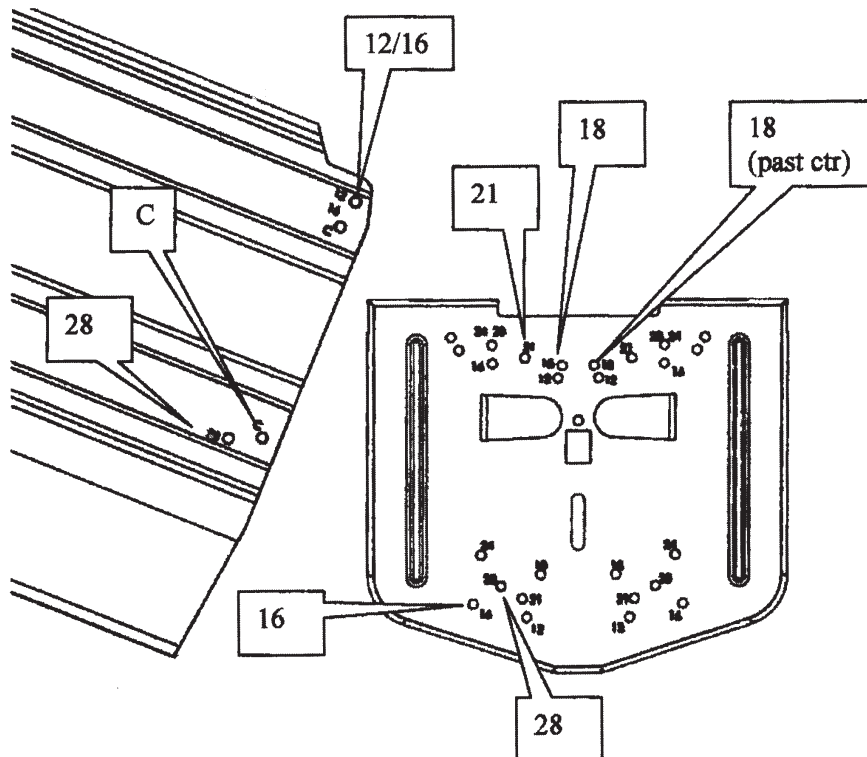
Attach the top rails on both sides of the step assembly before attaching any other top rails. Use the illustration below to attach each top rail to the vertical end cap on the step. The hole pattern below is only for the vertical end caps on the step assembly.

Once these top rails are attached, refer to your pools assembly guide to finish attaching all other top rails using the correct hole pattern for your pool.

Make sure to follow your pools assembly guide instructions to complete the pool assembly.

Hole Pattern

End Radius – Top Rail – Top Connector			Top Rail – Top Connector	
16 ft.	- 12/16	- 18	C	- 16
18 ft.	- 12/16	- 18(past ctr.)	28	- 16
21 ft.	- 12/16	- 18	C	- 16
24 ft.	- 12/16	- 18	C	- 16
28 ft.	- 12/16	- 21	C	- 16
32 ft.	- 12/16	- 21	C	- 16



ATTENTION

IMPORTANT INFORMATION

PLEASE READ

BE SURE TO FOLLOW THESE INSTRUCTIONS AND DVD VIDEO VERY CAREFULLY. POOL FAILURE MAY OCCUR IF THE STEP ASSEMBLY IS NOT DONE CORRECTLY.

BE SURE TO USE ALL BOLTS, WASHERS, NUTS AND HARDWARE INCLUDED AND THAT ALL ARE INSTALLED CORRECTLY. IF YOU ARE NOT SURE OF THE PROPER ASSEMBLY, PLEASE REVIEW THESE INSTRUCTIONS AND VIDEO. IF YOU HAVE ANY QUESTIONS CONCERNING THE CORRECT INSTALLATION, PLEASE CONTACT CUSTOMER SERVICE AT 1-877-228-4586.



Important! Above-ground pools are designed for swimming and wading only. Do not Dive or Jump! Misuse of your pool may result in crippling injury and/or other dangers to life and health. Do not use slides, diving boards, or any other platform or object which can be used for improper pool entry. Use only an above-ground swimming pool ladder or entry system to enter or exit your pool. Never attempt to swim or reach behind ladders or any other pool entry system. It is the pool owner's responsibility to secure the pool against unauthorized, unsupervised or unintentional entry. It is also the pool owner's responsibility to warn all pool users of the hazards of diving into shallow water: paralyzing injury may result. Always obey all safety rules. Remember, pool safety is everybody's responsibility.

Safety decals and caution information provided with your pool have been endorsed by the U.S. Consumer Product Safety Commission. It is mandatory that the pool owner and installer follow the installation and use directions for all provided safety signs and decals. Juveniles must be supervised at all times by a responsible adult as directed by the USCPSC.

Change of Design: The manufacturer expressly reserves the right to change or modify the design and construction of any product in due course of their manufacturing procedures, without incurring any obligation to furnish or install such changes or modifications on products previously or subsequently sold.