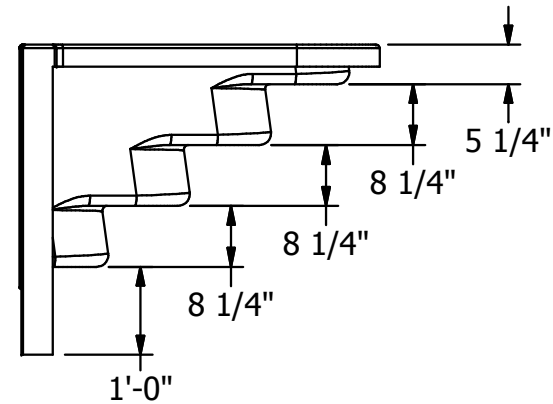
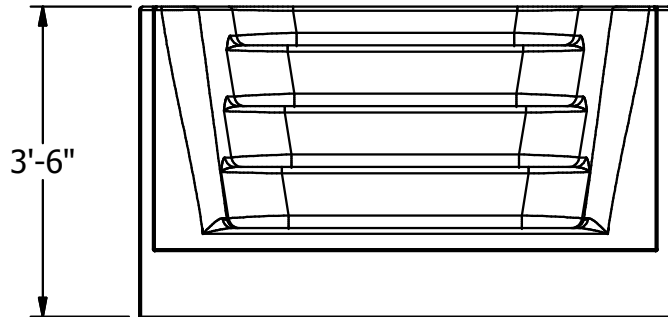
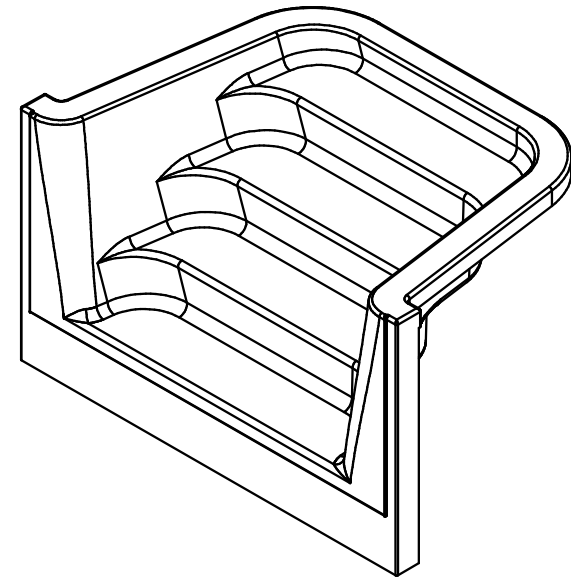
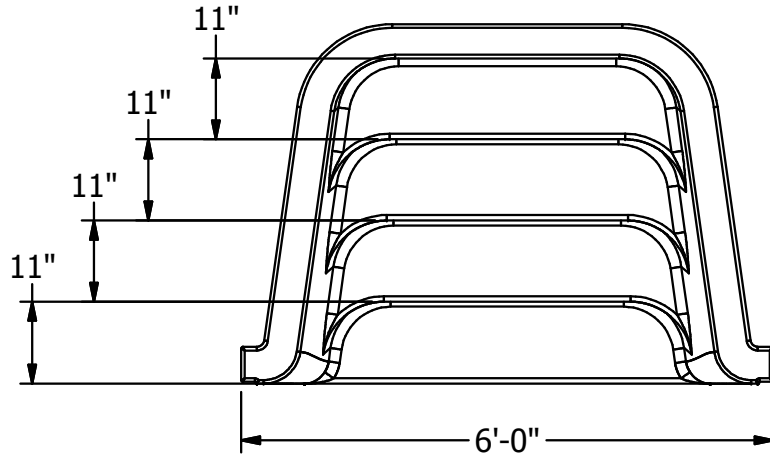


PART NUMBER	DESCRIPTION
FS-7204CW	Fbg Stp 6' Straight 4 Tread - Cantilever - White
FSB-7204CB	Fbg Stp 6' Straight 4 Tread - Cantilever - Blue
FSG-7204CG	Fbg Stp 6' Straight 4 Tread - Cantilever - Grey



<p align="center"><b>CONFIDENTIAL PROPERTY OF</b> <i>Trivector Mfg Inc.</i></p> <p>Notice to persons receiving this drawing: Trivector Mfg. Inc., claims proprietary rights in the material shown on this drawing. This drawing may not be reproduced, copied, or disclosed, for any reason without written permission from Trivector Mfg Inc. Neither this drawing or any reproduction of this drawing may be used to manufacture anything shown or similar to disclosure shown hereon without permission in writing from Trivector Mfg Inc. All rights of design or invention are reserved.</p>	<p>CUSTOMER <b>SWIMMING POOLS</b></p>	<p>DRAWN BY J.Voltz</p>	<p>11/4/2013</p>	<p>QA</p>	
	<p>PRODUCT CATEGORY <b>THERMO FORM</b></p>	<p>CHECKED BY</p>	<p>MFG</p>		
	<p>MATERIAL <b>VARIES - SEE PARTS LIST</b></p>	<p>DESCRIPTION <b>6' STRAIGHT 4 TREAD - CANTILEVER</b></p>			
<p>APPROVED SUPPLIER <b>N/A</b></p>	<p>UNLESS OTHERWISE SPECIFIED: .XXX ± 0.030 .XXXX ± 0.010 Angle ± 1°</p>	<p>SIZE <b>A</b></p>	<p>PART NO. <b>MULTIPLE - SEE PARTS LIST</b></p>	<p>REV <b>B</b></p>	
<p>ALL DIMENSIONS ARE INCHES AND ALL ANGLES ARE 90° UNLESS OTHERWISE SPECIFIED.</p>	<p>THIRD ANGLE PROJECTION</p>	<p>SCALE <b>1/26</b></p>	<p>DRAWING NO. <b>1117.idw</b></p>	<p>SHEET 1 OF 1</p>	