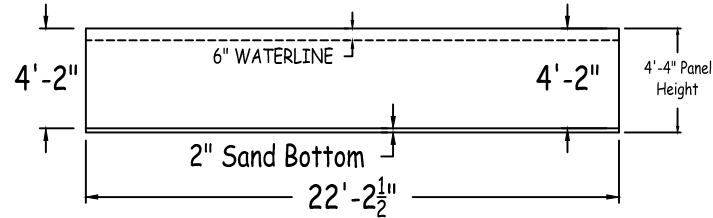
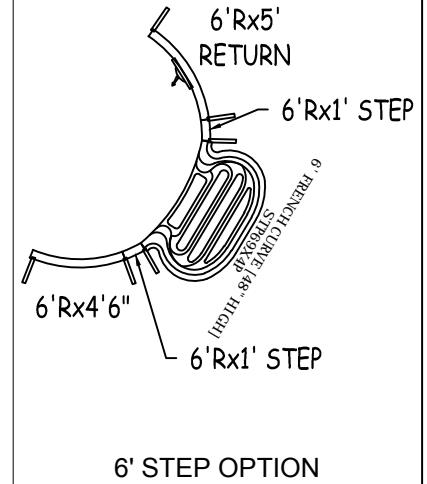
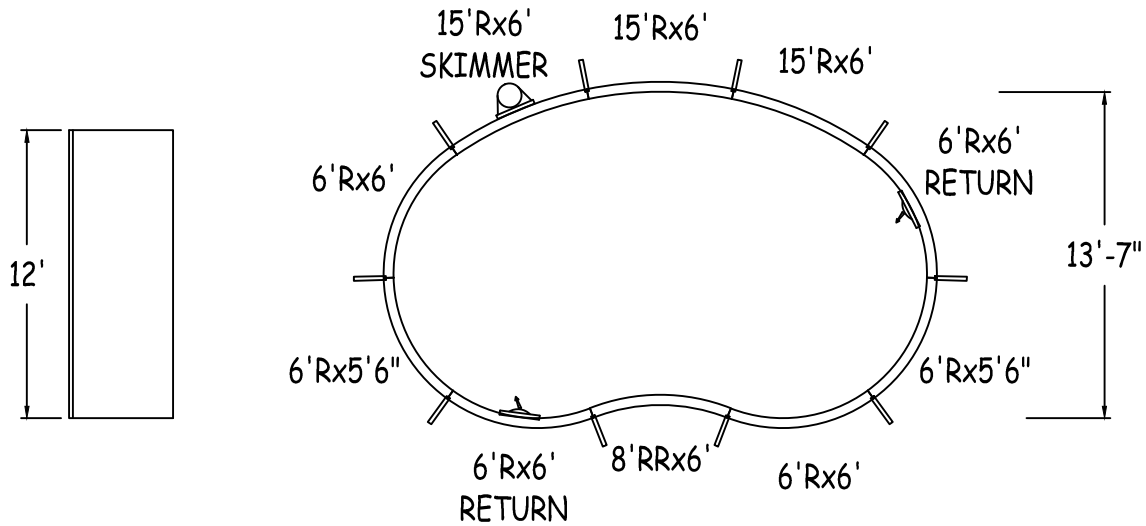


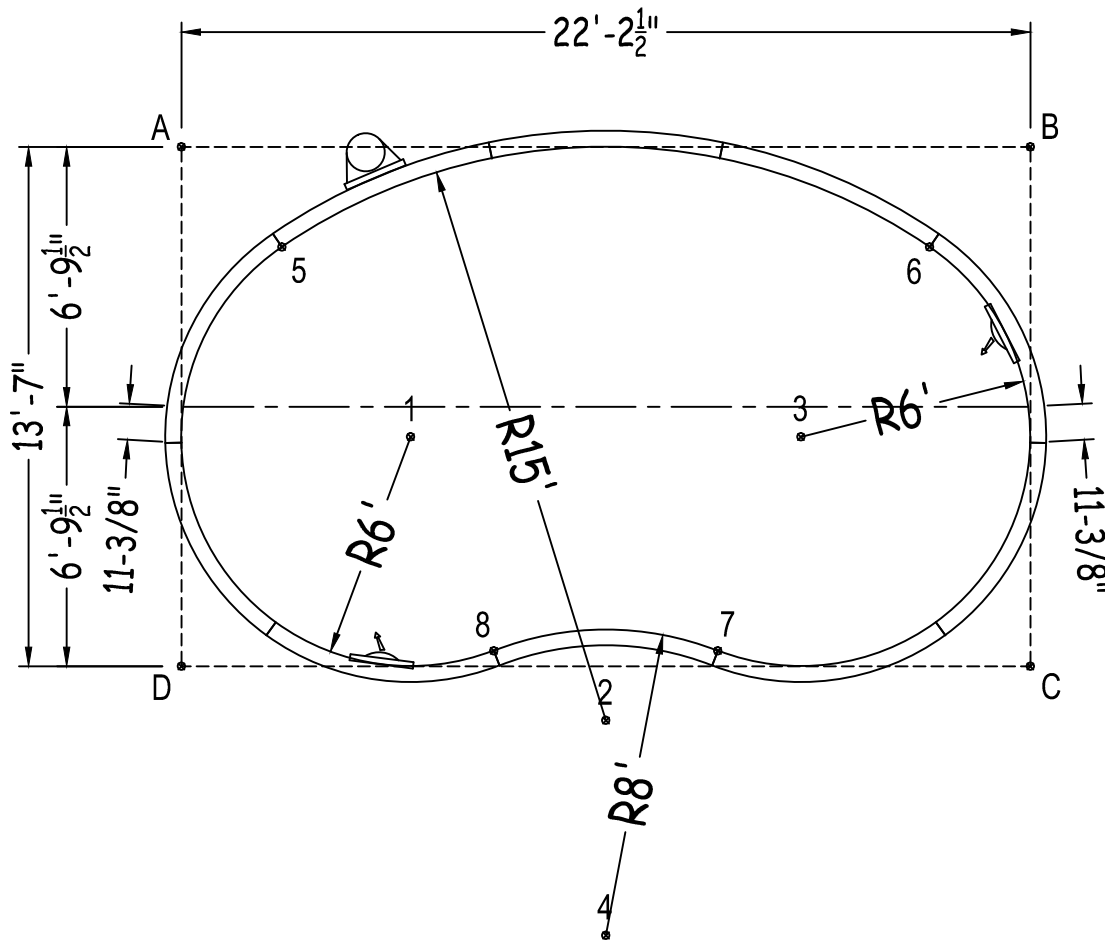
IN ACCORDANCE WITH ANSI/APSP/ICC-5 2011, THE INSTALLER IS RESPONSIBLE FOR PLACING ONE SKIMMER FOR EVERY 800 SQUARE FEET OF SURFACE AREA AND ONE RETURN FOR EVERY 300 SQUARE FEET OF SURFACE AREA.



Bartop OG Pool System	KIDNEY-FLAT BOTTOM 12-0 X 13-7 X 22-3				ALWAYS ENTER POOL Feet First MEETS DEPTH AND SHAPE MINIMUM STANDARD ANSI/APSP/ICC-5 2011	NON-DIVING POOL	
	52" STEEL PANELS	PERIMETER: 59'-0"	VOLUME (US Gal): 6700				USE OF DIVING EQUIPMENT IS PROHIBITED
DWG#: B5CRFBS1222-15	SURFACE (ft²): 245	VOLUME (Liters): 25400	DATE: 1/1/2015	DSR:			
KIT#: CRFBS1222	COVER (ft²): 418	SCALE: 1/8" = 1'-0"					

KIDNEY-FLAT BOTTOM

Center To Center	
1 To 2	9'-0"
1 To 3	10'-2 1/2"
1 To 4	14'-0"
2 To 3	9'-0"
2 To 4	5'-7 1/2"
3 To 4	14'-0"
Diagonals	
5 To 6	16'-11 1/4"
5 To 7	15'-6 1/2"
5 To 8	11'-11"
6 To 7	11'-11"
6 To 8	15'-6 1/2"
7 To 8	5'-10 1/4"



Part number	Description	Base		Option 1	
		QTY	QTY	QTY	QTY
RA0721800X	15'Rx6'	2	2		
RA0721800*	15'Rx6' SKIMMER	1	1		
RA0720720X	6'Rx6'	2	1		
RA0720720*	6'Rx6' RETURN	2	1		
RA0660720X	6'Rx5'6"	2	1		
RA0600720*	6'Rx5' RETURN	-	1		
RA0540720X	6'Rx4'6"	-	1		
RA0120720S	6'Rx1' STEP	-	2		
RA072102SC	6'0"X4" STEP CONNECTOR	-	1		
RR0720960X	8'RRx6'	1	1		
Brace	Brace	10	12		
IPC-DRVSTK12G	BRACE COMP D-STK 3"X24" 90D 12G	10	12		
IPC-BT52WCS-2	COMPRESSION STRAP 2PC	20	24		
IPC-STKPK25	REBAR STAKE 18" 25PC	1	1		
IPC-HDWSTRT150	BOLT STR 3/8-16X1" C/W NUT 150PC	1	1		
STP69X4P	ACRYLIC STEP FRENCH CURVE 6' (48")	-	1		

	A	B	C	D
1	9'-8"	17'-10 3/4"	17'-3 1/2"	8'-5 3/4"
2	18'-8"	18'-8"	11'-2 1/4"	11'-2 1/4"
3	17'-10 3/4"	9'-8"	8'-5 3/4"	17'-3 1/2"
4	23'-5"	23'-5"	13'-1 3/4"	13'-1 3/4"
5	3'-8 1/2"	19'-9"	22'-5 1/4"	11'-3 1/4"
6	19'-9"	3'-8 1/2"	11'-3 1/4"	22'-5 1/4"
7	19'-3"	15'-6"	8'-2 1/4"	14'- 1/2"
8	15'-6"	19'-3"	14'- 1/2"	8'-2 1/4"
A	-	22'-2 1/2"	26'- 1/2"	13'-7"

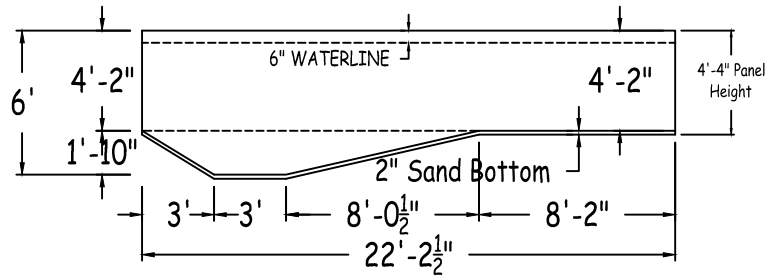
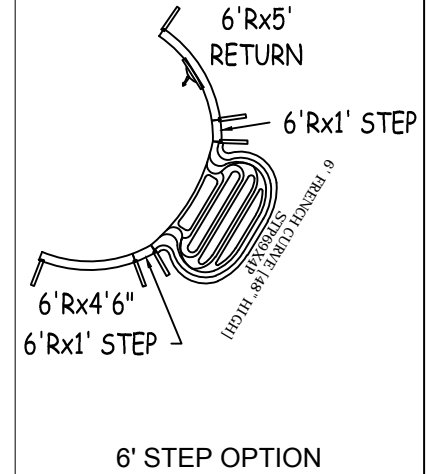
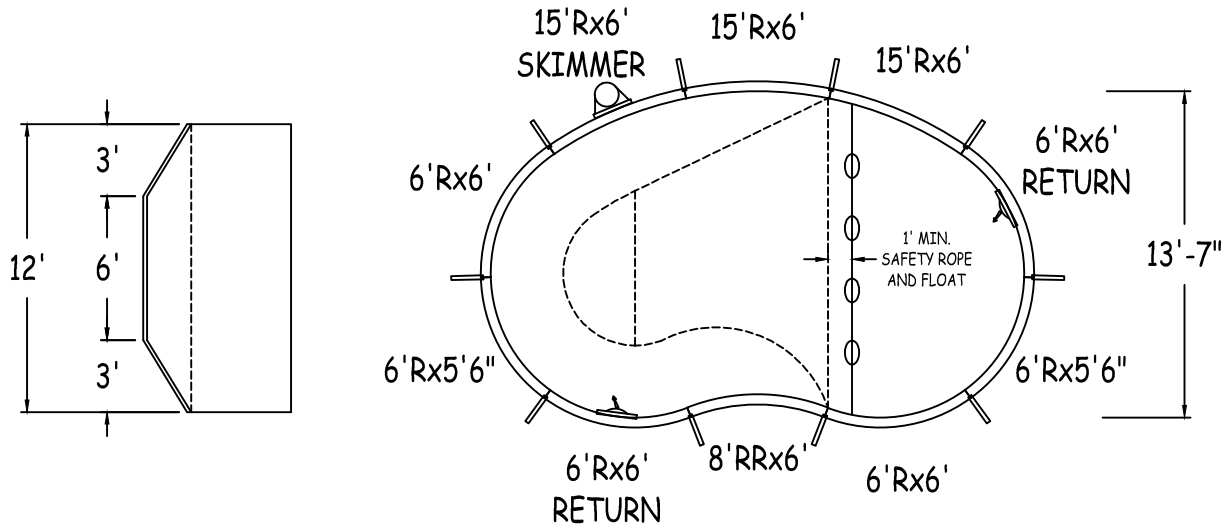
KIDNEY-FLAT BOTTOM 12-0 X 13-7 X 22-3

DWG #: B5CRFBS1222-15

DATE: 1/1/2015

SHEET: 2 OF 2

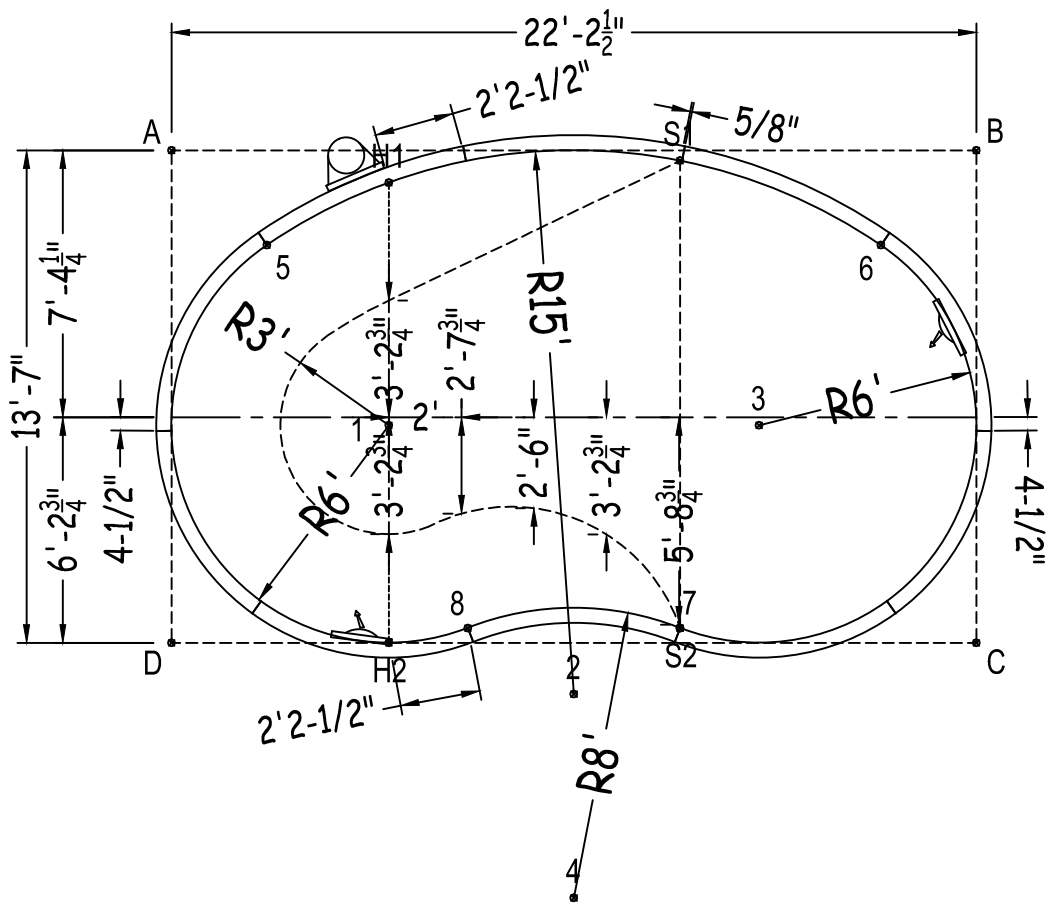
IN ACCORDANCE WITH ANSI/APSP/ICC-5 2011, THE INSTALLER IS RESPONSIBLE FOR PLACING ONE SKIMMER FOR EVERY 800 SQUARE FEET OF SURFACE AREA AND ONE RETURN FOR EVERY 300 SQUARE FEET OF SURFACE AREA.



Bartop OG Pool System	KIDNEY-6' HOPPER 12-0 X 13-7 X 22-3 LEFT				ALWAYS ENTER POOL Feet First MEETS DEPTH AND SHAPE MINIMUM STANDARD ANSI/APSP/ICC-5 2011	NON-DIVING POOL USE OF DIVING EQUIPMENT IS PROHIBITED
	52" STEEL PANELS	PERIMETER: 59'-0"	VOLUME (US Gal): 7800			
DWG#: B5CRHPS1222L15	SURFACE (ft²): 245	VOLUME (Liters): 29500	DATE: 1/1/2015	DSR:		
KIT#: CRHPS1222	COVER (ft²): 418	SCALE: 1/8" = 1'-0"				

KIDNEY-6' HOPPER

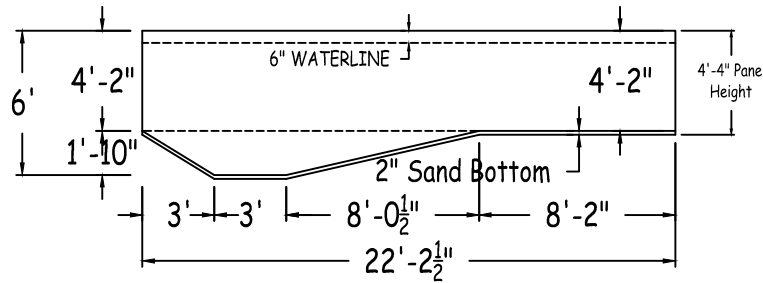
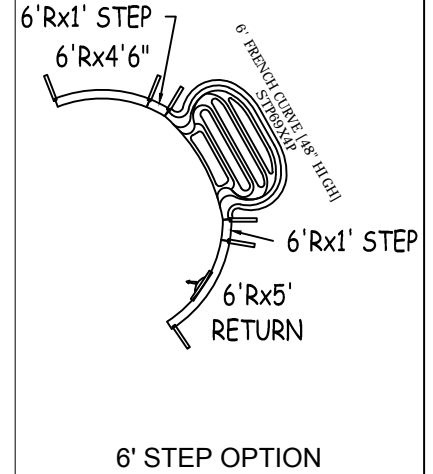
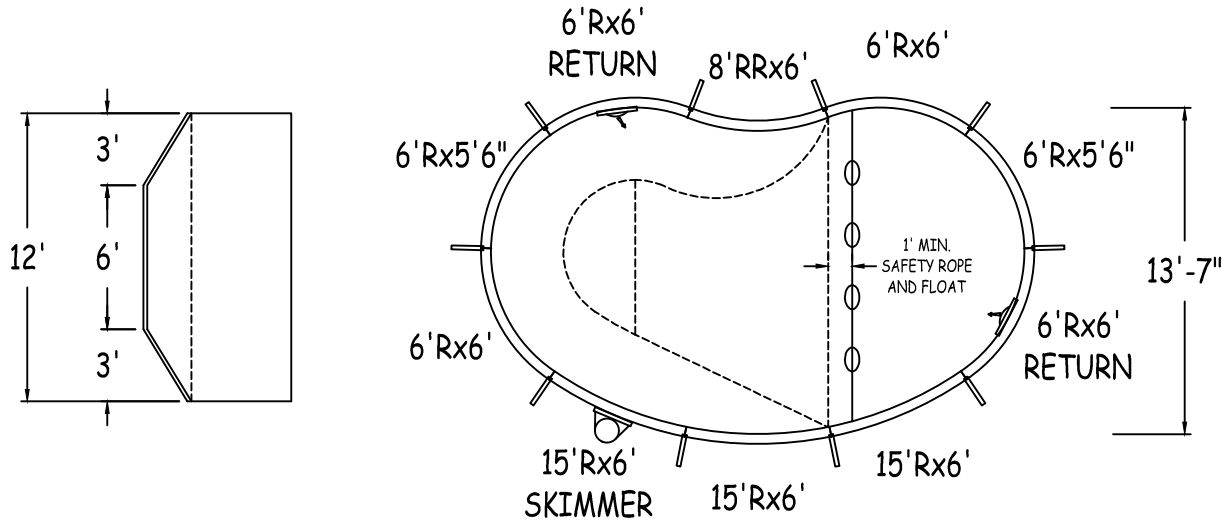
Center To Center	
1 To 2	9'-0"
1 To 3	10'-2 1/2"
1 To 4	14'-0"
2 To 3	9'-0"
2 To 4	5'-7 1/2"
3 To 4	14'-0"
Diagonals	
5 To 6	16'-11 1/4"
5 To 7	15'-6 1/2"
5 To 8	11'-11"
6 To 7	11'-11"
6 To 8	15'-6 1/2"
7 To 8	5'-10 1/4"



Part number	Description	Base		Option 1	
		QTY	QTY	QTY	QTY
RA0721800X	15'Rx6'			2	2
RA0721800*	15'Rx6' SKIMMER			1	1
RA0720720X	6'Rx6'			2	1
RA0720720*	6'Rx6' RETURN			2	1
RA0660720X	6'Rx5'6"			2	1
RA0600720*	6'Rx5' RETURN			-	1
RA0540720X	6'Rx4'6"			-	1
RA0120720S	6'Rx1' STEP			-	2
RA072102SC	6'0"X4" STEP CONNECTOR			-	1
RR0720960X	8'RRx6'			1	1
Brace	Brace			10	12
IPC-DRVSTK12G	BRACE COMP D-STK 3"X24" 90D 12G			10	12
IPC-BT52WCS-2	COMPRESSION STRAP 2PC			20	24
IPC-STKPK25	REBAR STAKE 18" 25PC			1	1
IPC-HDWSTRT150	BOLT STR 3/8-16X1" C/W NUT 150PC			1	1
STP69X4P	ACRYLIC STEP FRENCH CURVE 6' (48")			-	1

	A	B	C	D
1	9'-8"	17'-10 3/4"	17'-3 1/2"	8'-5 3/4"
2	18'-8"	18'-8"	11'-2 1/4"	11'-2 1/4"
3	17'-10 3/4"	9'-8"	8'-5 3/4"	17'-3 1/2"
4	23'-5"	23'-5"	13'-1 3/4"	13'-1 3/4"
5	3'-8 1/2"	19'-9"	22'-5 1/4"	11'-3 1/4"
6	19'-9"	3'-8 1/2"	11'-3 1/4"	22'-5 1/4"
7	19'-3"	15'-6"	8'-2 1/4"	14'- 1/2"
8	15'-6"	19'-3"	14'- 1/2"	8'-2 1/4"
S2	19'-3"	15'-6"	8'-2 1/4"	14'- 1/2"
S1	14'- 1/2"	8'-2 1/4"	15'-7 1/4"	19'-4"
H2	14'-10 1/4"	21'-1 3/4"	16'-2 1/2"	6'-0"
H1	6'- 3/4"	16'-2 3/4"	20'-7"	14'- 1/2"
A	-	22'-2 1/2"	26'- 1/2"	13'-7"

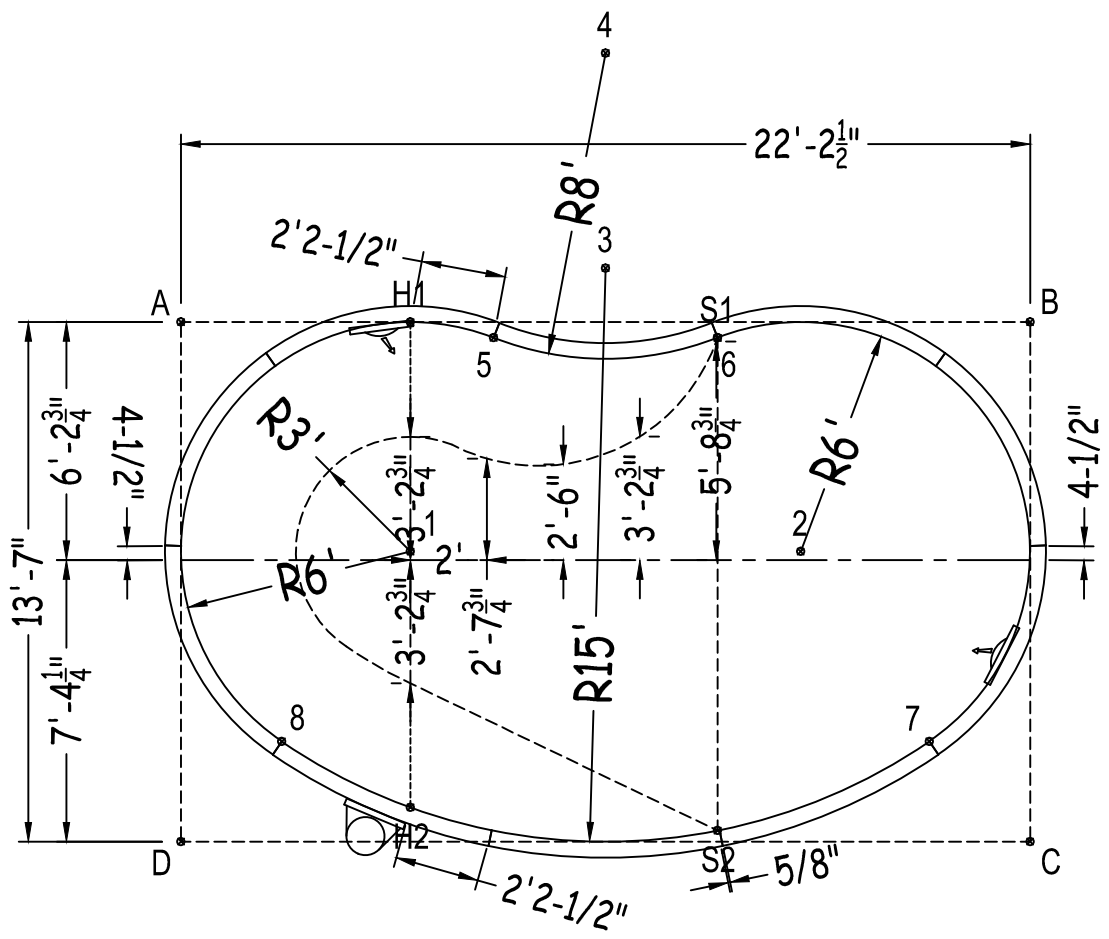
IN ACCORDANCE WITH ANSI/APSP/ICC-5 2011, THE INSTALLER IS RESPONSIBLE FOR PLACING ONE SKIMMER FOR EVERY 800 SQUARE FEET OF SURFACE AREA AND ONE RETURN FOR EVERY 300 SQUARE FEET OF SURFACE AREA.



Bartop OG Pool System	KIDNEY-6' HOPPER 12-0 X 13-7 X 22-3 RIGHT			ALWAYS ENTER POOL Foot First <small>MEETS DEPTH AND SHAPE MINIMUM STANDARD ANSI/APSP/ICC-5 2011</small>	NON-DIVING POOL USE OF DIVING EQUIPMENT IS PROHIBITED
	52" STEEL PANELS	PERIMETER: 59'-0"	VOLUME (US Gal): 7800		
DWG#: B5CRHPS1222R15	SURFACE (ft²): 245	VOLUME (Liters): 29500	DATE: 1/1/2015	DSR:	
KIT#: CRHPS1222	COVER (ft²): 418	SCALE: 1/8" = 1'-0"			

KIDNEY-6' HOPPER

Center To Center	
1 To 2	10'-2 1/2"
1 To 3	9'-0"
1 To 4	14'-0"
2 To 3	9'-0"
2 To 4	14'-0"
3 To 4	5'-7 1/2"
Diagonals	
5 To 6	5'-10 1/4"
5 To 7	15'-6 1/2"
5 To 8	11'-11"
6 To 7	11'-11"
6 To 8	15'-6 1/2"
7 To 8	16'-11 1/4"



Part number	Description	Base / Option 1	
		QTY	QTY
RA0721800X	15'Rx6'	2	2
RA0721800*	15'Rx6' SKIMMER	1	1
RA0720720X	6'Rx6'	2	1
RA0720720*	6'Rx6' RETURN	2	1
RA0660720X	6'Rx5'6"	2	1
RA0600720*	6'Rx5' RETURN	-	1
RA0540720X	6'Rx4'6"	-	1
RA0120720S	6'Rx1' STEP	-	2
RA072102SC	6'0"X4" STEP CONNECTOR	-	1
RR0720960X	8'RRx6'	1	1
Brace	Brace	10	12
IPC-DRVSTK12G	BRACE COMP D-STK 3"X24" 90D 12G	10	12
IPC-BT52WCS-2	COMPRESSION STRAP 2PC	20	24
IPC-STKPK25	REBAR STAKE 18" 25PC	1	1
IPC-HDWSTRT150	BOLT STR 3/8-16X1" C/W NUT 150PC	1	1
STP69X4P	ACRYLIC STEP FRENCH CURVE 6' (48")	-	1

	A	B	C	D
1	8'-5 3/4"	17'-3 1/2"	17'-10 3/4"	9'-8"
2	17'-3 1/2"	8'-5 3/4"	9'-8"	17'-10 3/4"
3	11'-2 1/4"	11'-2 1/4"	18'-8"	18'-8"
4	13'-1 3/4"	13'-1 3/4"	23'-5"	23'-5"
5	8'-2 1/4"	14'- 1/2"	19'-3"	15'-6"
6	14'- 1/2"	8'-2 1/4"	15'-6"	19'-3"
7	22'-5 1/4"	11'-3 1/4"	3'-8 1/2"	19'-9"
8	11'-3 1/4"	22'-5 1/4"	19'-9"	3'-8 1/2"
S2	19'-4"	15'-7 1/4"	8'-2 1/4"	14'- 1/2"
S1	14'- 1/2"	8'-2 1/4"	15'-6"	19'-3"
H2	14'- 1/2"	20'-7"	16'-2 3/4"	6'- 3/4"
H1	6'-0"	16'-2 1/2"	21'-1 3/4"	14'-10 1/4"
A	-	22'-2 1/2"	26'- 1/2"	13'-7"

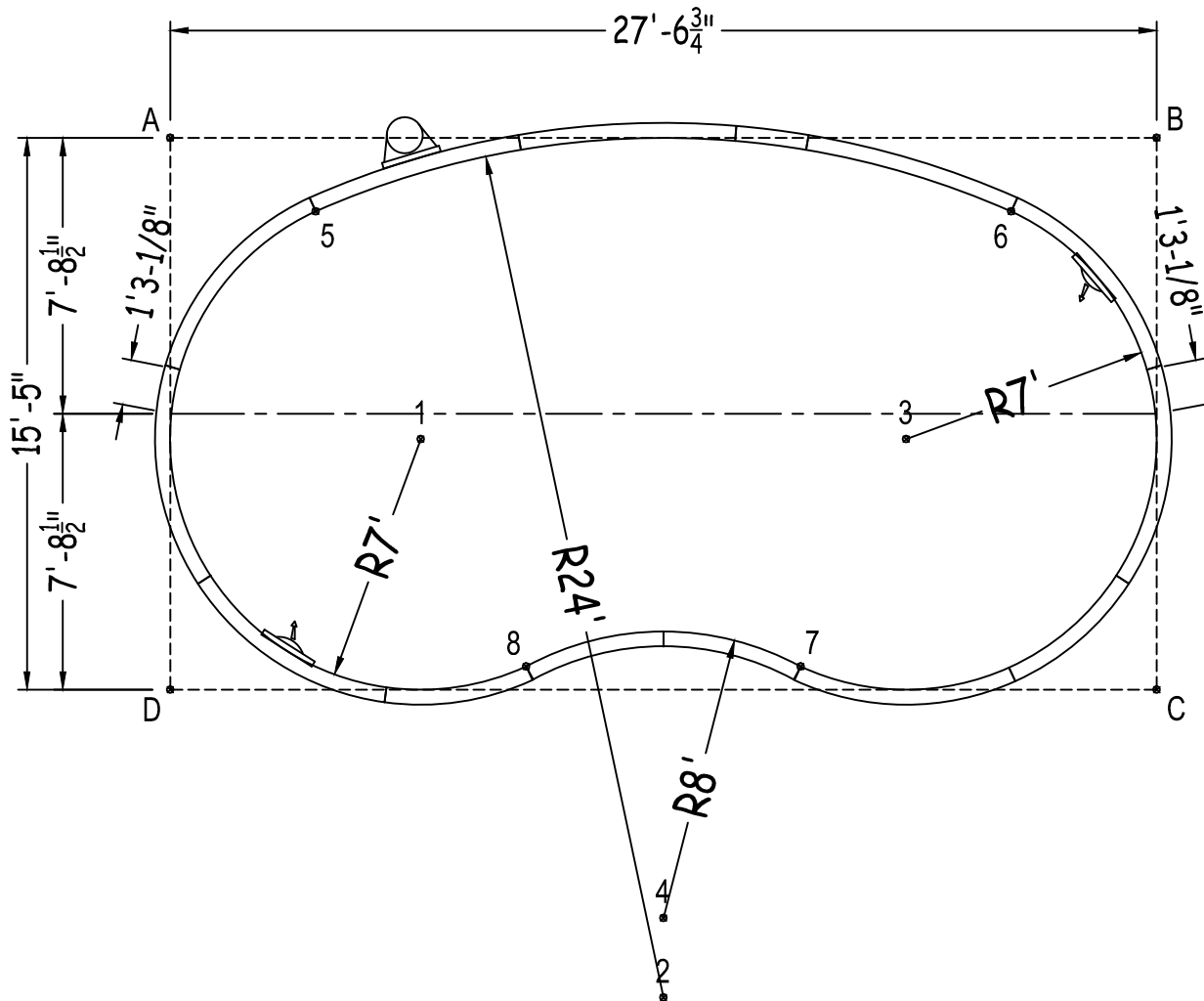
KIDNEY-6' HOPPER 12-0 X 13-7 X 22-3 RIGHT

DWG #: B5CRHPS1222R15

DATE: 1/1/2015

SHEET: 2 OF 2

Center To Center	
1 To 2	17'-0"
1 To 3	13'-6 3/4"
1 To 4	15'-0"
2 To 3	17'-0"
2 To 4	2'-2 3/4"
3 To 4	15'-0"
Diagonals	
5 To 6	19'-5"
5 To 7	18'-7"
5 To 8	14'-0"
6 To 7	14'-0"
6 To 8	18'-7"
7 To 8	7'-8"



Part number	Description	Base	Option 1
		QTY	QTY
RA0722880X	24'Rx6'	2	2
RA0722880*	24'Rx6' SKIMMER	1	1
RA0242880X	24'Rx2'	1	1
RA0720840X	7'Rx6'	4	3
RA0720840*	7'Rx6' RETURN	2	2
RA0480840X	7'Rx4'	2	1
RA0240840X	7'Rx2'	-	1
RA0120840S	7'Rx1' STEP	-	2
RA072102SC	6'0\"X4\" STEP CONNECTOR	-	1
RR0480960X	8'RRx4'	2	2
Brace	Brace	14	16
IPC-DRVSTK12G	BRACE COMP D-STK 3\"X24\" 90D 12G	14	16
IPC-BT52WCS-2	COMPRESSION STRAP 2PC	28	32
IPC-STKPK25	REBAR STAKE 18\" 25PC	2	2
IPC-HDWSTRT150	BOLT STR 3/8-16X1\" C/W NUT 150PC	2	2
STP69X4P	ACRYLIC STEP FRENCH CURVE 6\" (48\")	-	1

	A	B	C	D
1	10'-11 1/4"	22'-2 1/2"	21'-8 1/2"	9'-10 3/4"
2	27'-8"	27'-8"	16'-2 3/4"	16'-2 3/4"
3	22'-2 1/2"	10'-11 1/4"	9'-10 3/4"	21'-8 1/2"
4	25'-9 1/4"	25'-9 1/4"	15'-2 1/4"	15'-2 1/4"
5	4'-6 3/4"	23'-7"	27'- 1/4"	13'-11 1/2"
6	23'-7"	4'-6 3/4"	13'-11 1/2"	27'- 1/4"
7	22'-11 3/4"	17'-9 1/2"	9'-11 1/2"	17'-7 1/2"
8	17'-9 1/2"	22'-11 3/4"	17'-7 1/2"	9'-11 1/2"
A	-	27'-6 3/4"	31'-6 3/4"	15'-5"

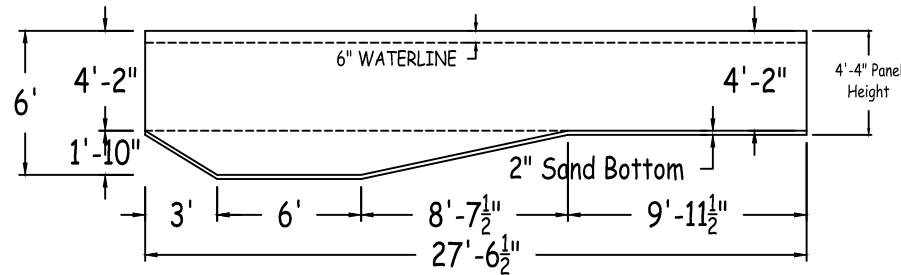
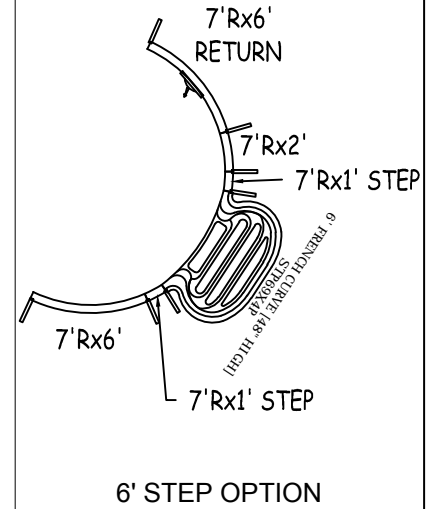
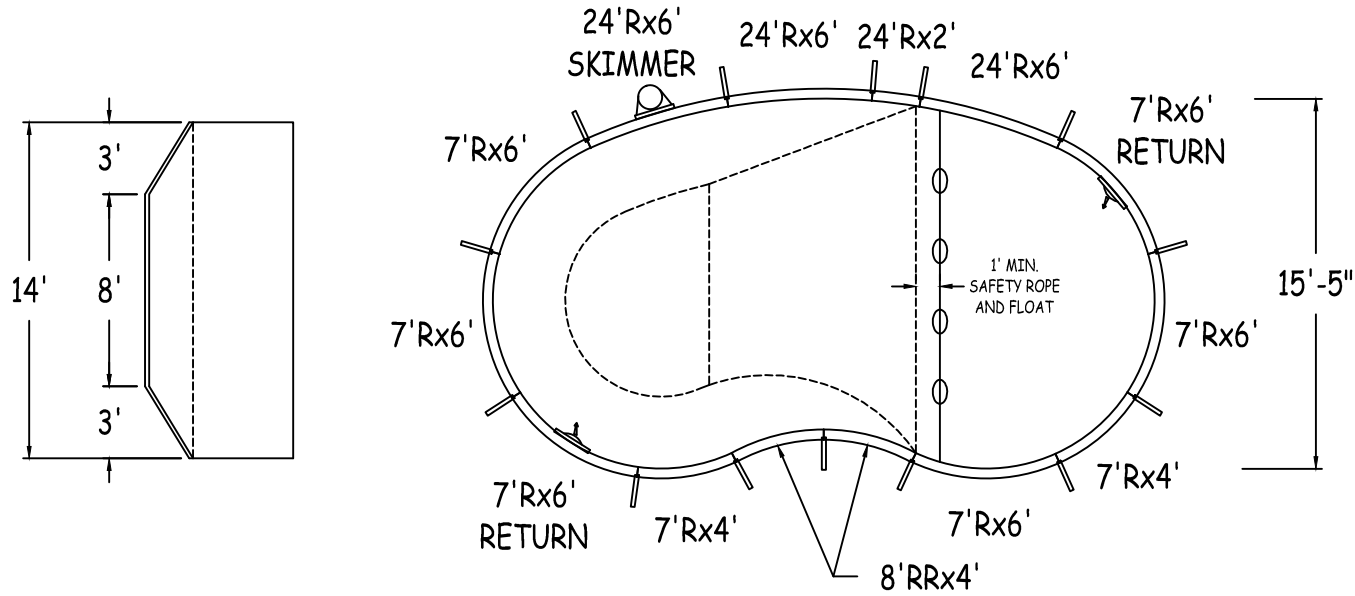
KIDNEY-FLAT BOTTOM 14-0 X 15-5 X 27-7

DWG #: B5CRFBS1428-15

DATE: 1/1/2015

SHEET: 2 OF 2

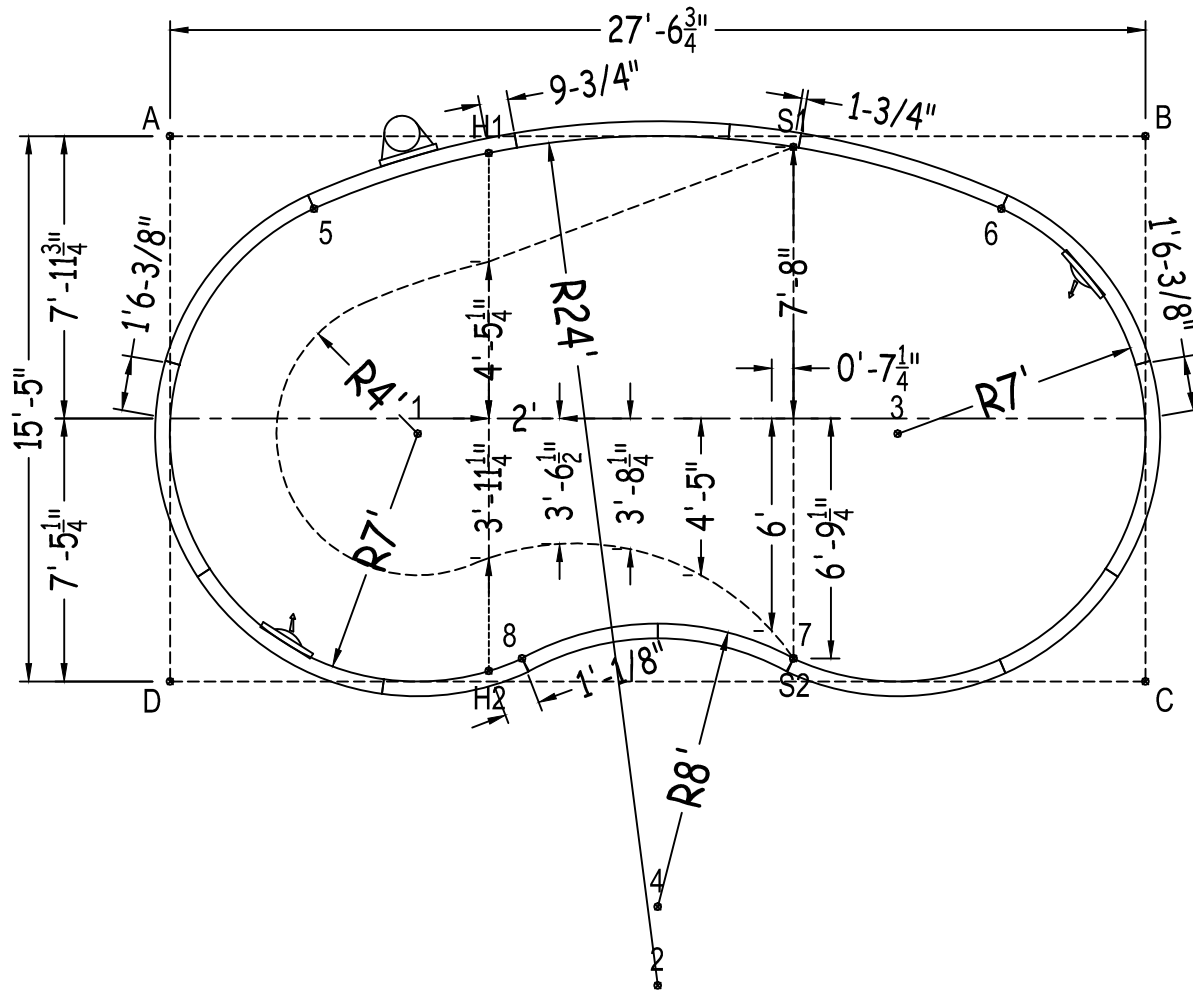
IN ACCORDANCE WITH ANSI/APSP/ICC-5 2011, THE INSTALLER IS RESPONSIBLE FOR PLACING ONE SKIMMER FOR EVERY 800 SQUARE FEET OF SURFACE AREA AND ONE RETURN FOR EVERY 300 SQUARE FEET OF SURFACE AREA.



Bartop OG Pool System	KIDNEY-6' HOPPER 14-0 X 15-5 X 27-7 LEFT				ALWAYS ENTER POOL Foot First <small>MEETS DEPTH AND SHAPE MINIMUM STANDARD ANSI/APSP/ICC-5 2011</small>	NON-DIVING POOL	
	52" STEEL PANELS	PERIMETER: 72'-0"	VOLUME (US Gal): 11100	VOLUME (Liters): 42000		USE OF DIVING EQUIPMENT IS PROHIBITED	
DWG#: B5CRHPS1428L15	SURFACE (ft²): 348	DATE: 1/1/2015	DSR:				
KIT#: CRHPS1428	COVER (ft²): 563	SCALE: 1/8" = 1'-0"					

KIDNEY-6' HOPPER

Center To Center	
1 To 2	17'-0"
1 To 3	13'-6 3/4"
1 To 4	15'-0"
2 To 3	17'-0"
2 To 4	2'-2 3/4"
3 To 4	15'-0"
Diagonals	
5 To 6	19'-5"
5 To 7	18'-7"
5 To 8	14'-0"
6 To 7	14'-0"
6 To 8	18'-7"
7 To 8	7'-8"



Part number	Description	Base	Option 1
		QTY	QTY
RA0722880X	24'Rx6'	2	2
RA0722880*	24'Rx6' SKIMMER	1	1
RA0242880X	24'Rx2'	1	1
RA0720840X	7'Rx6'	4	3
RA0720840*	7'Rx6' RETURN	2	2
RA0480840X	7'Rx4'	2	1
RA0240840X	7'Rx2'	-	1
RA0120840S	7'Rx1' STEP	-	2
RA072102SC	6'0"X4" STEP CONNECTOR	-	1
RR0480960X	8'RRx4'	2	2
Brace	Brace	14	16
IPC-DRVSTK12G	BRACE COMP D-STK 3"X24" 90D 12G	14	16
IPC-BT52WCS-2	COMPRESSION STRAP 2PC	28	32
IPC-STKPK25	REBAR STAKE 18" 25PC	2	2
IPC-HDWSTRT150	BOLT STR 3/8-16X1" C/W NUT 150PC	2	2
STP69X4P	ACRYLIC STEP FRENCH CURVE 6' (48")	-	1

	A	B	C	D
1	10'-11 1/4"	22'-2 1/2"	21'-8 1/2"	9'-10 3/4"
2	27'-8"	27'-8"	16'-2 3/4"	16'-2 3/4"
3	22'-2 1/2"	10'-11 1/4"	9'-10 3/4"	21'-8 1/2"
4	25'-9 1/4"	25'-9 1/4"	15'-2 1/4"	15'-2 1/4"
5	4'-6 3/4"	23'-7"	27'- 1/4"	13'-11 1/2"
6	23'-7"	4'-6 3/4"	13'-11 1/2"	27'- 1/4"
7	22'-11 3/4"	17'-9 1/2"	9'-11 1/2"	17'-7 1/2"
8	17'-9 1/2"	22'-11 3/4"	17'-7 1/2"	9'-11 1/2"
S2	22'-11 3/4"	17'-9 1/2"	9'-11 1/2"	17'-7 1/2"
S1	17'-7 1/2"	9'-11 1/4"	18'-1"	23'-2 1/2"
H2	17'-7"	23'-11 1/4"	18'-6 3/4"	9'-0"
H1	9'- 1/4"	18'-6 3/4"	23'-9 3/4"	17'-5 1/4"
A	-	27'-6 3/4"	31'-6 3/4"	15'-5"

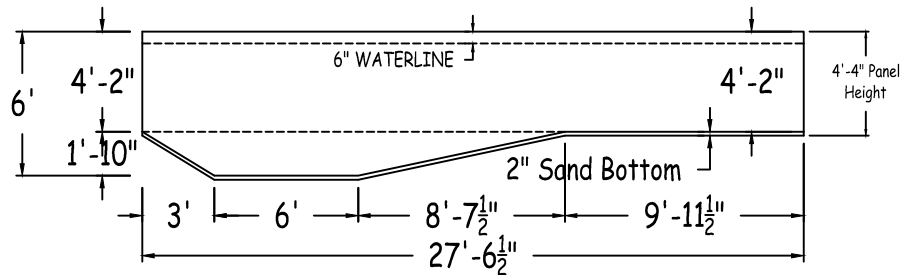
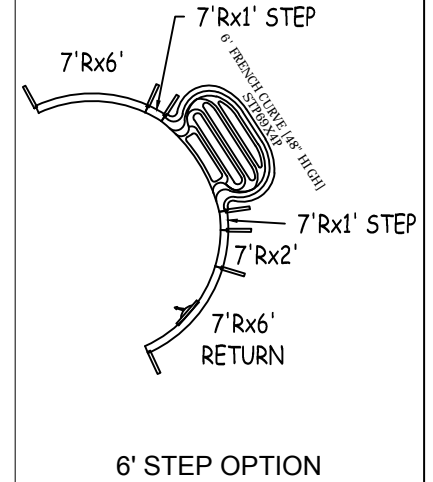
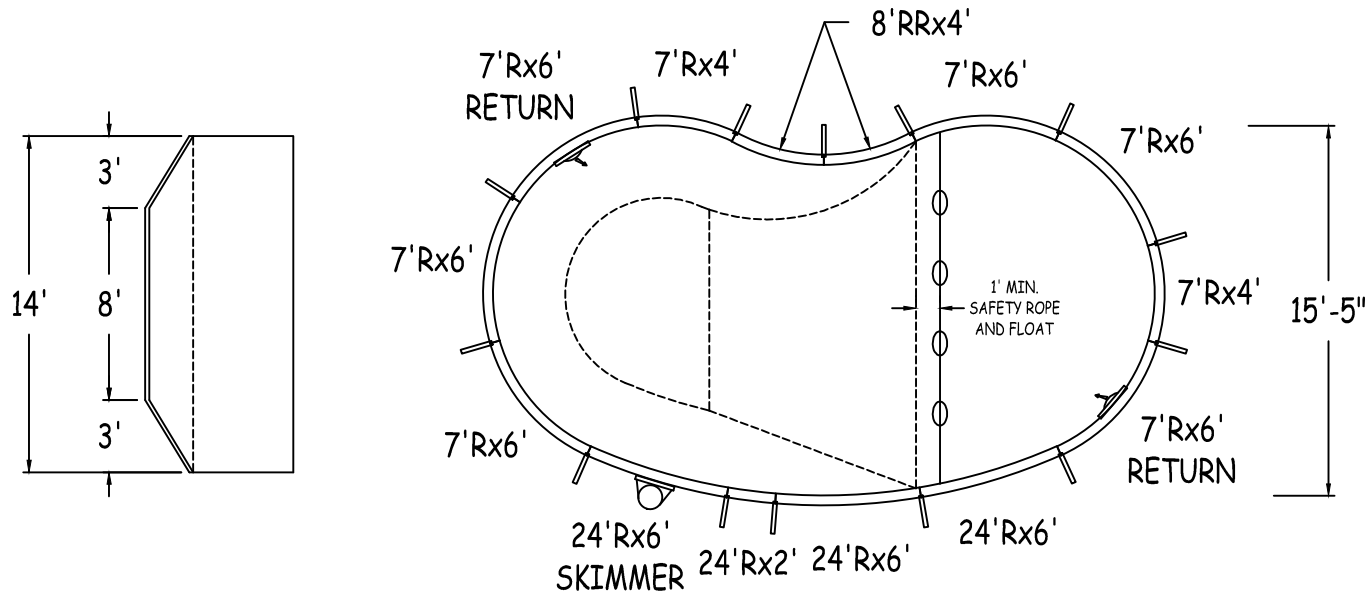
KIDNEY-6' HOPPER 14-0 X 15-5 X 27-7 LEFT

DWG #: B5CRHPS1428L15

DATE: 1/1/2015

SHEET: 2 OF 2

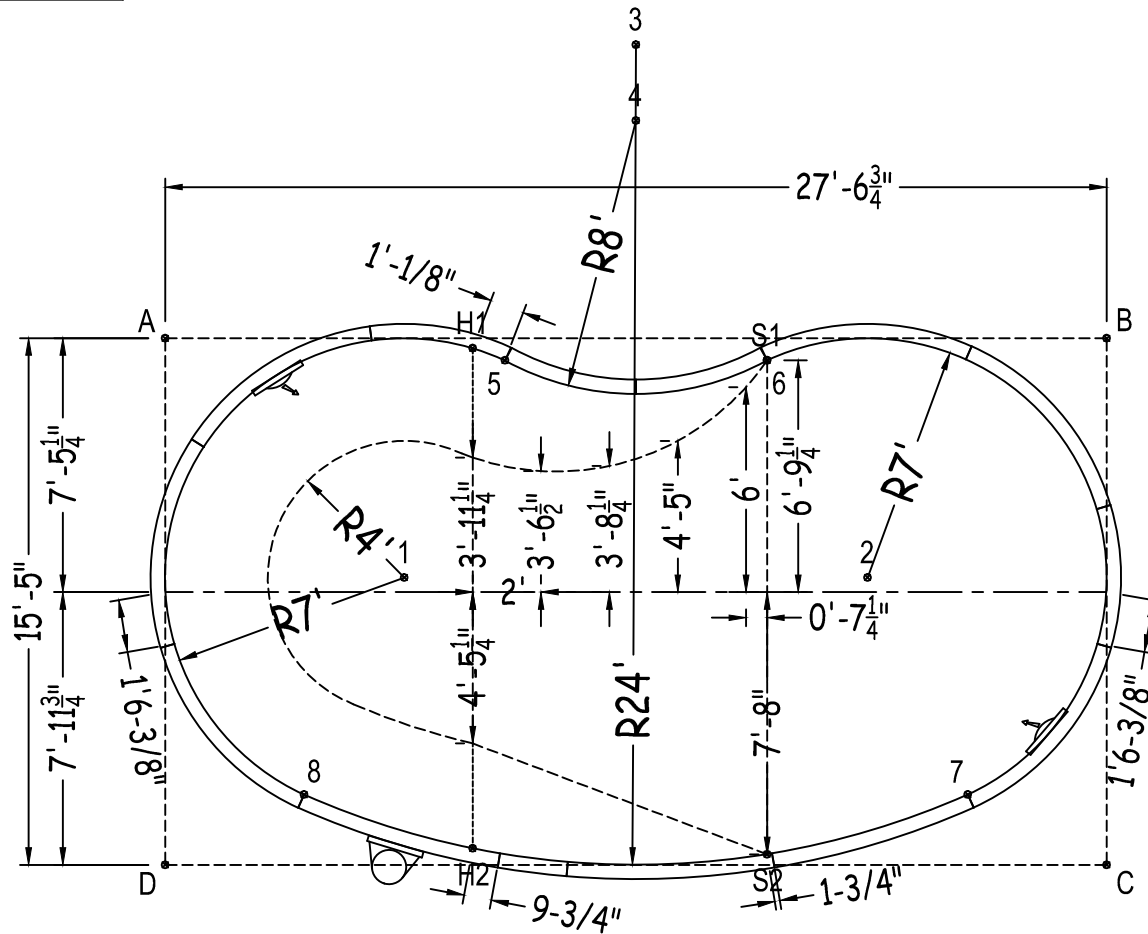
IN ACCORDANCE WITH ANSI/APSP/ICC-5 2011, THE INSTALLER IS RESPONSIBLE FOR PLACING ONE SKIMMER FOR EVERY 800 SQUARE FEET OF SURFACE AREA AND ONE RETURN FOR EVERY 300 SQUARE FEET OF SURFACE AREA.



Bartop OG Pool System	KIDNEY-6' HOPPER 14-0 X 15-5 X 27-7 RIGHT			ALWAYS ENTER POOL Foot First <small>MEETS DEPTH AND SHAPE MINIMUM STANDARD ANSI/APSP/ICC-5 2011</small>	NON-DIVING POOL	
	52" STEEL PANELS	PERIMETER: 72'-0"	VOLUME (US Gal): 11100		USE OF DIVING EQUIPMENT IS PROHIBITED	
DWG#:	SURFACE (ft²): 348	VOLUME (Liters): 42000				
B5CRHPS1428R15	LINER (ft²): 386	DATE: 1/1/2015	DSR:			
KIT#:	CRHPS1428	COVER (ft²): 563	SCALE: 1/8" = 1'-0"			

KIDNEY-6' HOPPER

Center To Center	
1 To 2	13'-6 3/4"
1 To 3	17'-0"
1 To 4	15'-0"
2 To 3	17'-0"
2 To 4	15'-0"
3 To 4	2'-2 3/4"
Diagonals	
5 To 6	7'-8"
5 To 7	18'-7"
5 To 8	14'-0"
6 To 7	14'-0"
6 To 8	18'-7"
7 To 8	19'-5"



Part number	Description	Base	Option 1
		QTY	QTY
RA0722880X	24'Rx6'	2	2
RA0722880*	24'Rx6' SKIMMER	1	1
RA0242880X	24'Rx2'	1	1
RA0720840X	7'Rx6'	4	3
RA0720840*	7'Rx6' RETURN	2	2
RA0480840X	7'Rx4'	2	1
RA0240840X	7'Rx2'	-	1
RA0120840S	7'Rx1' STEP	-	2
RA072102SC	6'0"X4" STEP CONNECTOR	-	1
RR0480960X	8'RRx4'	2	2
Brace	Brace	14	16
IPC-DRVSTK12G	BRACE COMP D-STK 3"X24" 90D 12G	14	16
IPC-BT52WCS-2	COMPRESSION STRAP 2PC	28	32
IPC-STKPK25	REBAR STAKE 18" 25PC	2	2
IPC-HDWSTRT150	BOLT STR 3/8-16X1" C/W NUT 150PC	2	2
STP69X4P	ACRYLIC STEP FRENCH CURVE 6' (48")	-	1

	A	B	C	D
1	9'-10 3/4"	21'-8 1/2"	22'-2 1/2"	10'-11 1/4"
2	21'-8 1/2"	9'-10 3/4"	10'-11 1/4"	22'-2 1/2"
3	16'-2 3/4"	16'-2 3/4"	27'-8"	27'-8"
4	15'-2 1/4"	15'-2 1/4"	25'-9 1/4"	25'-9 1/4"
5	9'-11 1/2"	17'-7 1/2"	22'-11 3/4"	17'-9 1/2"
6	17'-7 1/2"	9'-11 1/2"	17'-9 1/2"	22'-11 3/4"
7	27'-1/4"	13'-11 1/2"	4'-6 3/4"	23'-7"
8	13'-11 1/2"	27'-1/4"	23'-7"	4'-6 3/4"
S2	23'-2 1/2"	18'-1"	9'-11 1/4"	17'-7 1/2"
S1	17'-7 1/2"	9'-11 1/2"	17'-9 1/2"	22'-11 3/4"
H2	17'-5 1/4"	23'-9 3/4"	18'-6 3/4"	9'-1/4"
H1	9'-0"	18'-6 3/4"	23'-11 1/4"	17'-7"
A	-	27'-6 3/4"	31'-6 3/4"	15'-5"

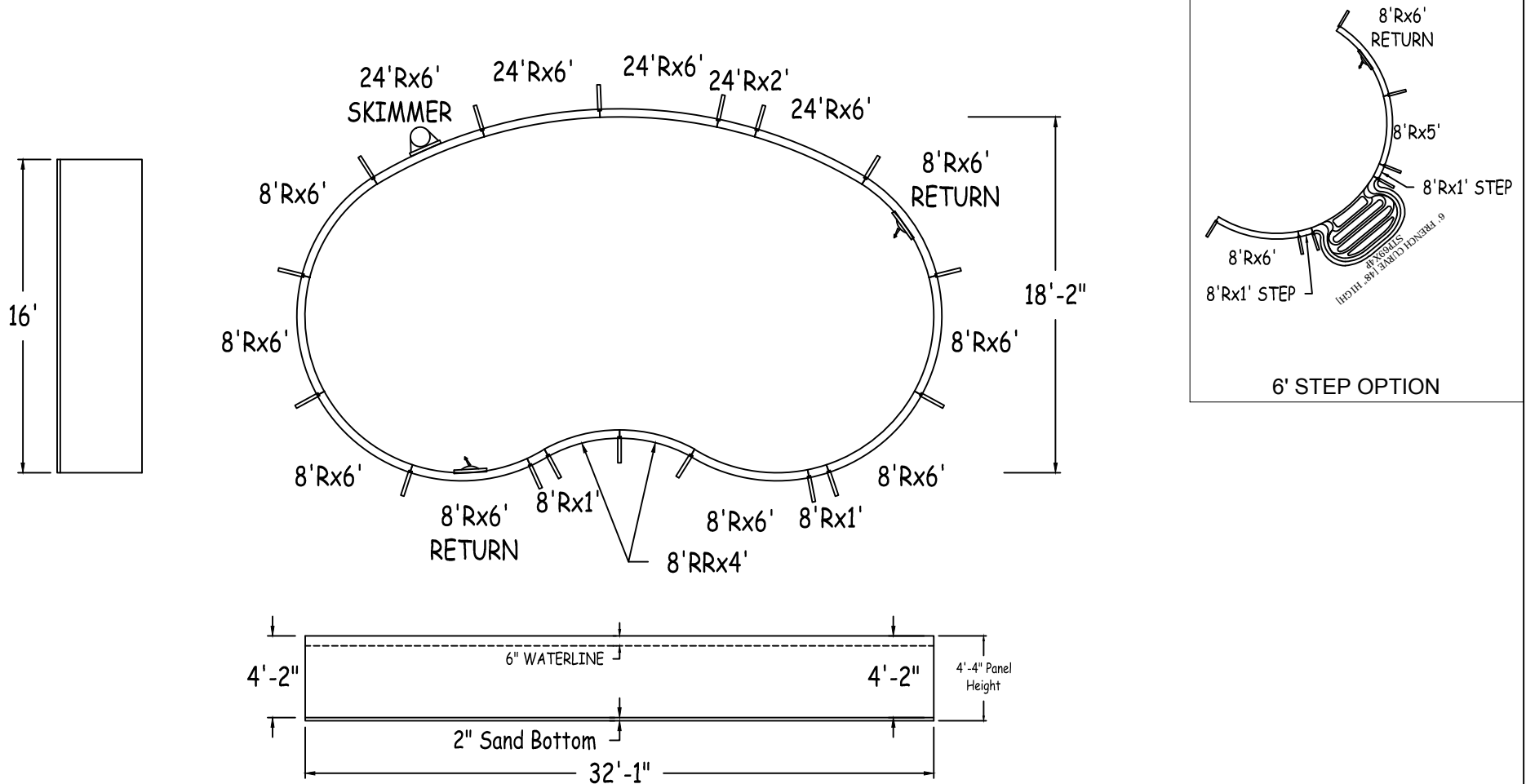
KIDNEY-6' HOPPER 14-0 X 15-5 X 27-7 RIGHT

DWG #: B5CRHPS1428R15

DATE: 1/1/2015

SHEET: 2 OF 2

IN ACCORDANCE WITH ANSI/APSP/ICC-5 2011, THE INSTALLER IS RESPONSIBLE FOR PLACING ONE SKIMMER FOR EVERY 800 SQUARE FEET OF SURFACE AREA AND ONE RETURN FOR EVERY 300 SQUARE FEET OF SURFACE AREA.

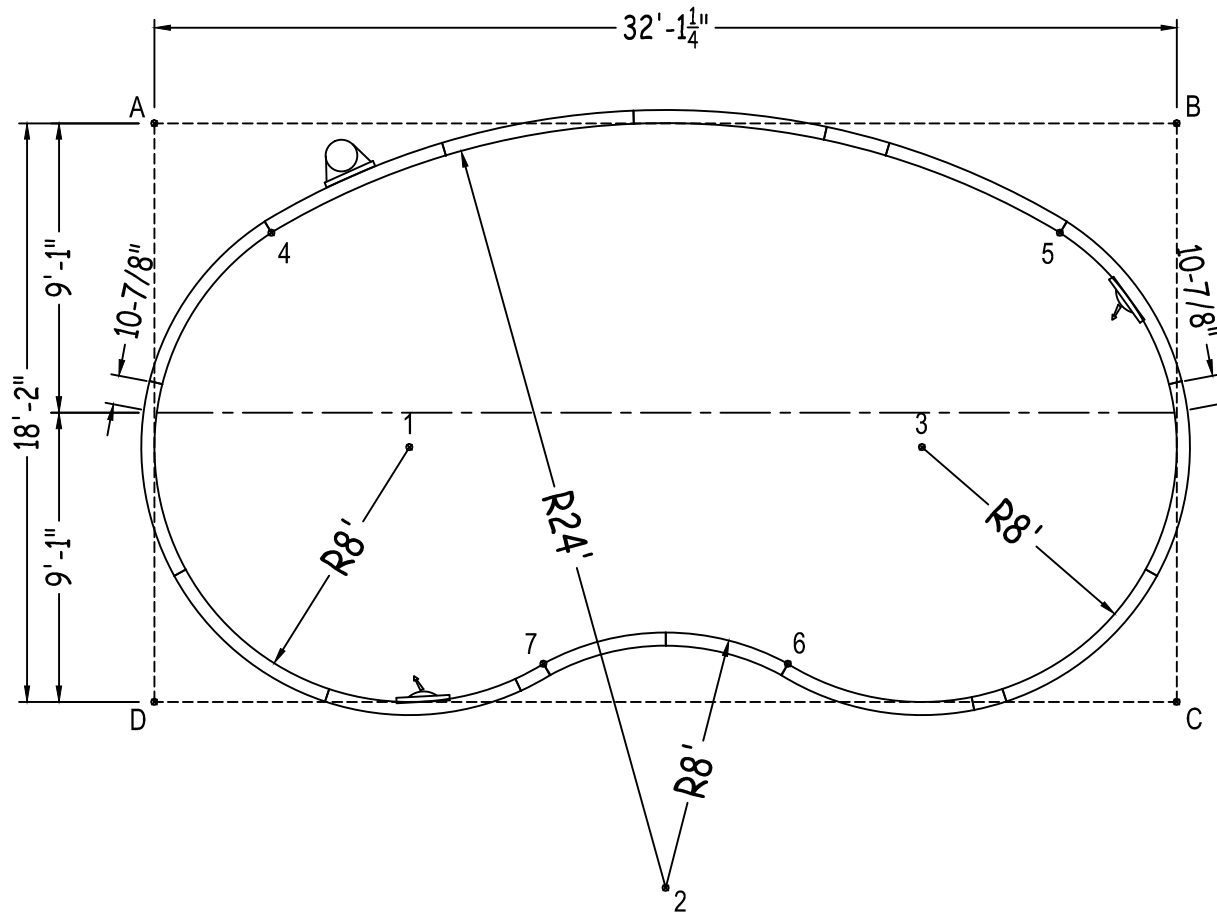


Bartop OG Pool System	KIDNEY-FLAT BOTTOM 16-0 X 18-2 X 32-1				<p>ALWAYS ENTER POOL</p> <p>NON-DIVING POOL</p> <p>USE OF DIVING EQUIPMENT IS PROHIBITED</p>
	52" STEEL PANELS	PERIMETER: 84'-0"	VOLUME (US Gal): 12900		
DWG#:	SURFACE (ft²): 471	VOLUME (Liters): 48800			
B5CRFBS1632-15	LINER (ft²): 514	DATE: 1/1/2015	DSR:		
KIT#:	COVER (ft²): 743	SCALE: 1/8" = 1'-0"			
				MEETS DEPTH AND SHAPE MINIMUM STANDARD ANSI/APSP/ICC-5 2011	

KIDNEY-FLAT BOTTOM

Center To Center	
1 To 2	16'-0"
1 To 3	16'-1 1/4"
1 To 4	8'-0"
2 To 3	16'-0"
2 To 4	24'-0"
3 To 4	21'-6"
Diagonals	
4 To 5	24'-9"
4 To 6	21'-1 1/4"
4 To 7	16'-0"
5 To 6	16'-0"
5 To 7	21'-1 1/4"
6 To 7	7'-8"

Part number	Description	Base / Option 1	
		QTY	QTY
RA0722880X	24'Rx6'	3	3
RA0722880*	24'Rx6' SKIMMER	1	1
RA0242880X	24'Rx2'	1	1
RA0720960X	8'Rx6'	6	4
RA0720960*	8'Rx6' RETURN	2	2
RA0600960X	8'Rx5'	-	1
RA0120960S	8'Rx1' STEP	-	2
RA0120960X	8'Rx1'	2	1
RA072102SC	6'0"X4" STEP CONNECTOR	-	1
RR0480960X	8'RRx4'	2	2
Brace	Brace	17	18
IPC-DRVSTK12G	BRACE COMP D-STK 3"X24" 90D 12G	17	18
IPC-BT52WCS-2	COMPRESSION STRAP 2PC	34	36
IPC-STKPK25	REBAR STAKE 18" 25PC	2	2
IPC-HDWSTRT150	BOLT STR 3/8-16X1" C/W NUT 150PC	2	2
STP69X4P	ACRYLIC STEP FRENCH CURVE 6' (48")	-	1



	A	B	C	D
1	12'-11 1/4"	26'-1 3/4"	25'-4 3/4"	11'-3 3/4"
2	28'-10 1/2"	28'-10 1/2"	17'-1"	17'-1"
3	26'-1 3/4"	12'-11 1/4"	11'-3 3/4"	25'-4 3/4"
4	5'- 1/4"	28'-7 1/2"	32'- 1/4"	15'-2 1/4"
5	28'-7 1/2"	5'- 1/4"	15'-2 1/4"	32'- 1/4"
6	26'-1 3/4"	20'-10 3/4"	12'-3 1/4"	19'-11"
7	20'-10 3/4"	26'-1 3/4"	19'-11"	12'-3 1/4"
A	-	32'-1 1/4"	36'-10 1/2"	18'-2"

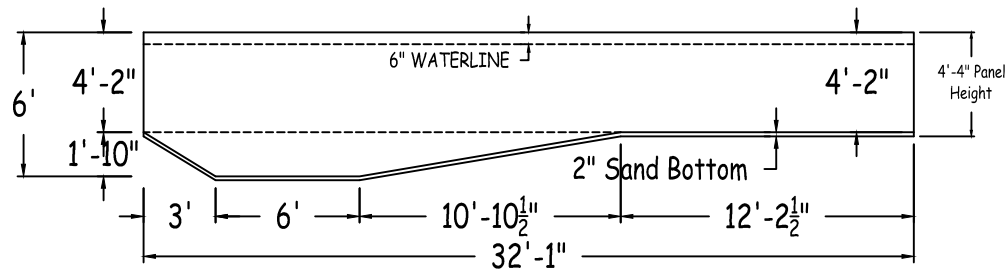
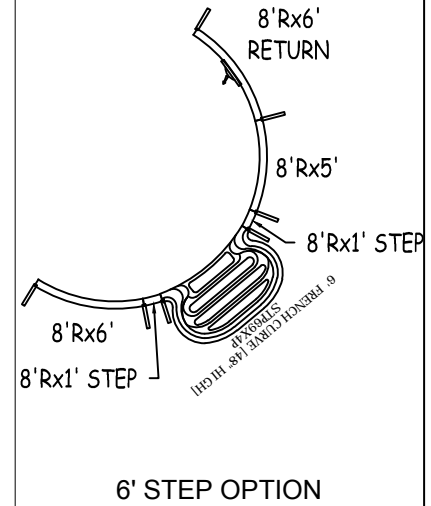
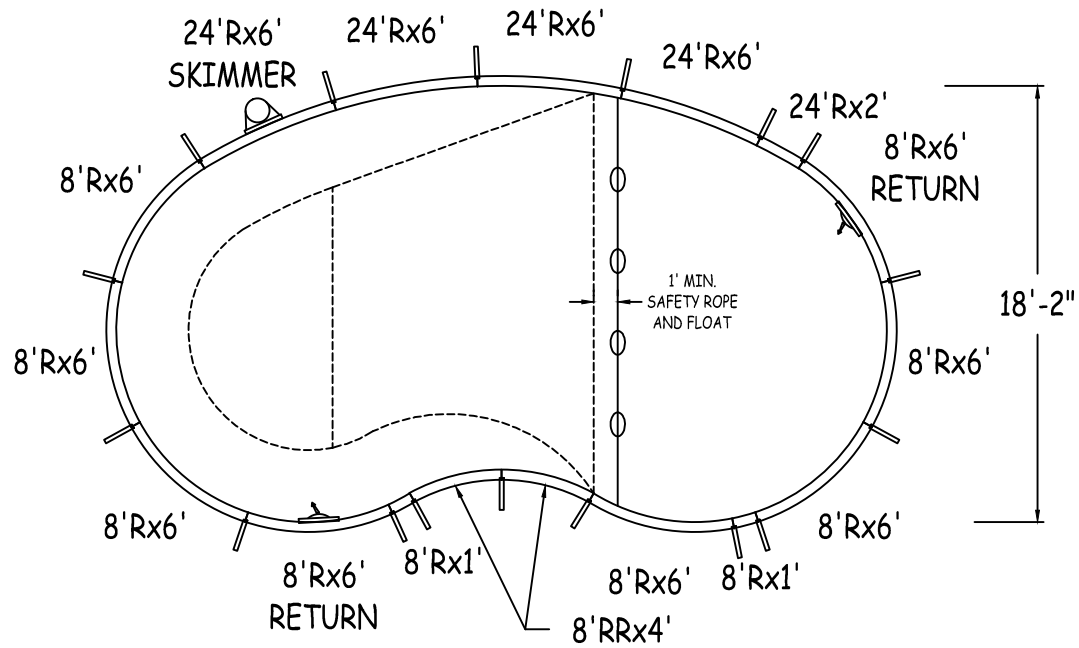
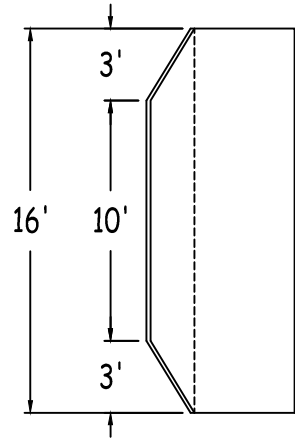
KIDNEY-FLAT BOTTOM 16-0 X 18-2 X 32-1

DWG #: B5CRFBS1632-15

DATE: 1/1/2015

SHEET: 2 OF 2

IN ACCORDANCE WITH ANSI/APSP/ICC-5 2011, THE INSTALLER IS RESPONSIBLE FOR PLACING ONE SKIMMER FOR EVERY 800 SQUARE FEET OF SURFACE AREA AND ONE RETURN FOR EVERY 300 SQUARE FEET OF SURFACE AREA.

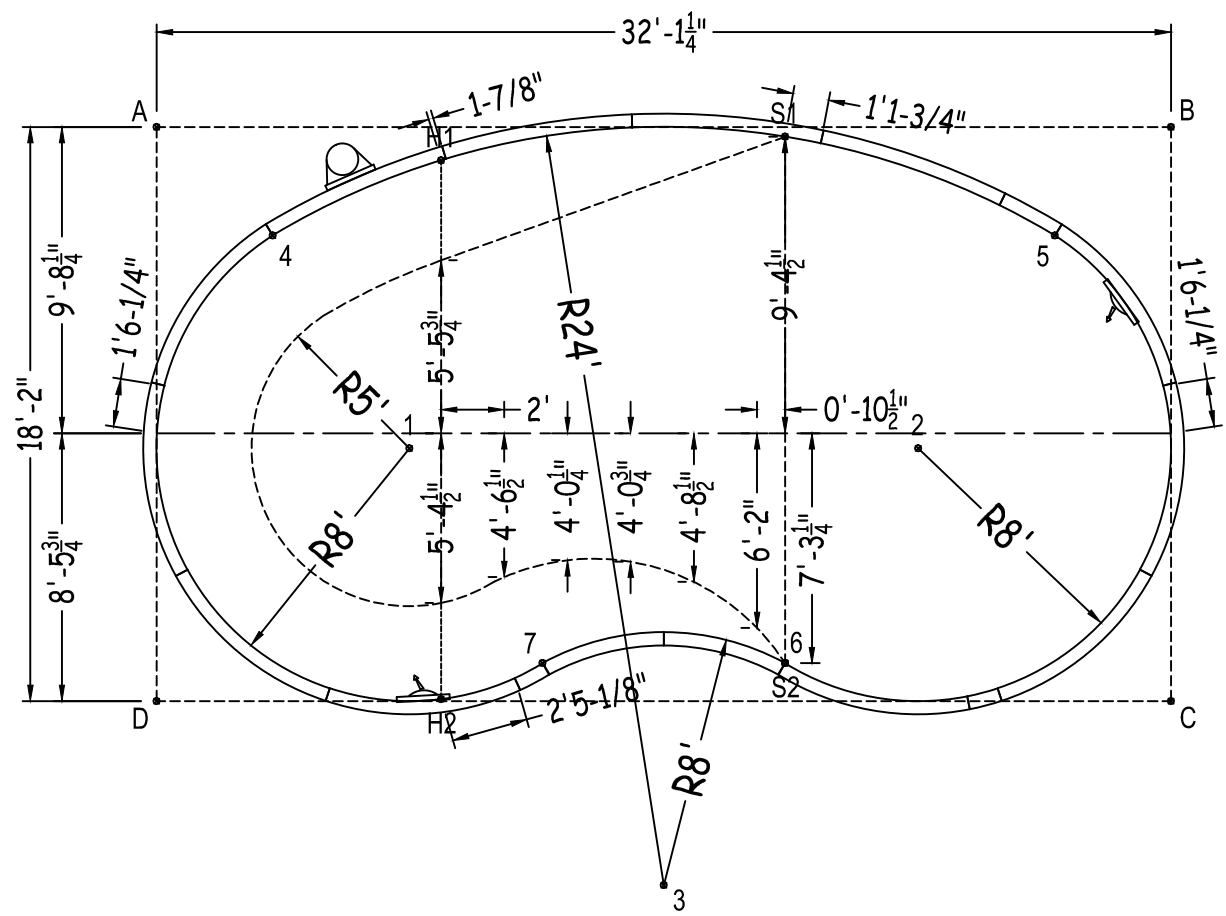


Bartop OG Pool System		KIDNEY-6' HOPPER 16-0 X 18-2 X 32-1 LEFT		<p>ALWAYS ENTER POOL</p> <p>NON-DIVING POOL</p> <p>USE OF DIVING EQUIPMENT IS PROHIBITED</p>	
52" STEEL PANELS	PERIMETER: 84'-0"	VOLUME (US Gal): 15100			
DWG#: B5CRHPS1632L15	SURFACE (ft²): 471	VOLUME (Liters): 57100	DATE: 1/1/2015	DSR:	<p>MEETS DEPTH AND SHAPE MINIMUM STANDARD ANSI/APSP/ICC-5 2011</p>
KIT#: CRHPS1632	COVER (ft²): 743	SCALE: 1/8" = 1'-0"			

KIDNEY-6' HOPPER

Center To Center	
1 To 2	16'-1 1/4"
1 To 3	16'-0"
1 To 4	8'-0"
2 To 3	16'-0"
2 To 4	21'-6"
3 To 4	23'-11 3/4"
Diagonals	
5 To 6	16'-0"
5 To 7	21'-1 1/4"
6 To 7	7'-8"

Part number	Description	Option 1	
		Base	QTY
RA0722880X	24'Rx6'	3	3
RA0722880*	24'Rx6' SKIMMER	1	1
RA0242880X	24'Rx2'	1	1
RA0720960X	8'Rx6'	6	4
RA0720960*	8'Rx6' RETURN	2	2
RA0600960X	8'Rx5'	-	1
RA0120960S	8'Rx1' STEP	-	2
RA0120960X	8'Rx1'	2	1
RA072102SC	6'0"X4" STEP CONNECTOR	-	1
RR0480960X	8'RRx4'	2	2
Brace	Brace	17	18
IPC-DRVSTK12G	BRACE COMP D-STK 3"x24" 90D 12G	17	18
IPC-BT52WCS-2	COMPRESSION STRAP 2PC	34	36
IPC-STKPK25	REBAR STAKE 18" 25PC	2	2
IPC-HDWSTRT150	BOLT STR 3/8-16X1" C/W NUT 150PC	2	2
STP69X4P	ACRYLIC STEP FRENCH CURVE 6' (48")	-	1



	A	B	C	D
1	12'-11 1/4"	26'-1 3/4"	25'-4 3/4"	11'-3 3/4"
2	26'-1 3/4"	12'-11 1/4"	11'-3 3/4"	25'-4 3/4"
3	28'-10 1/4"	28'-10 1/4"	17'-3/4"	17'-3/4"
4	5'-1/4"	28'-7 1/2"	32'-1/4"	15'-2 1/4"
5	28'-7 1/2"	5'-1/4"	15'-2 1/4"	32'-1/4"
6	26'-1 3/4"	20'-10 3/4"	12'-3 1/4"	19'-11"
7	20'-10 3/4"	26'-1 3/4"	19'-11"	12'-3 1/4"
S2	26'-1 3/4"	20'-10 3/4"	12'-3 1/4"	19'-11"
S1	19'-10 3/4"	12'-2 1/2"	21'-7 1/2"	26'-8 3/4"
H2	20'-2 1/2"	29'-4 1/4"	23'-1 1/4"	9'-0"
H1	9'-3/4"	23'-1 1/2"	28'-9"	19'-4"
A	-	32'-1 1/4"	36'-10 1/2"	18'-2"

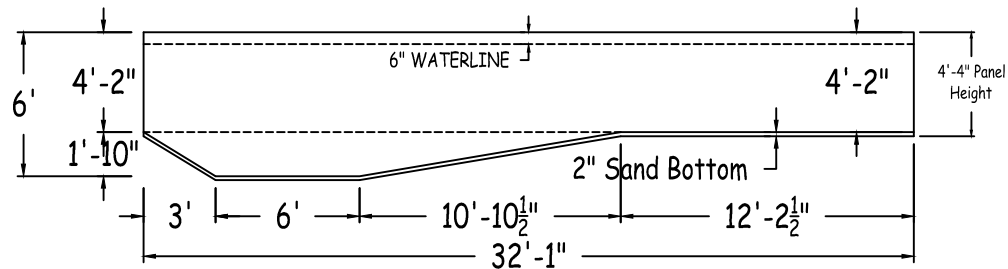
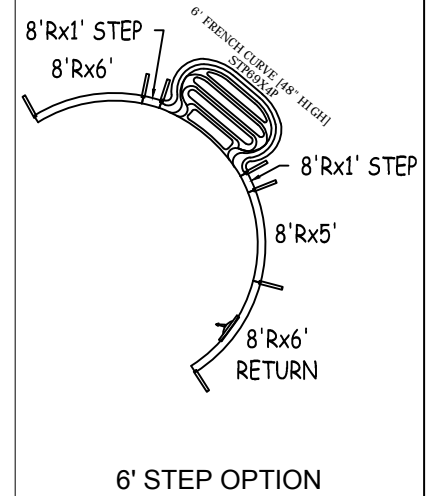
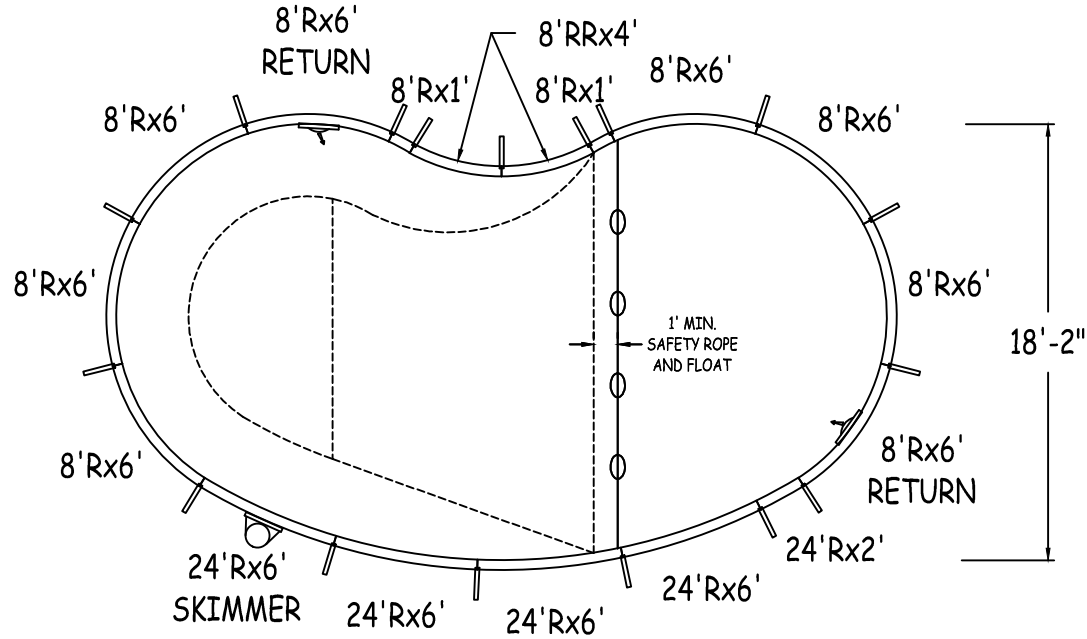
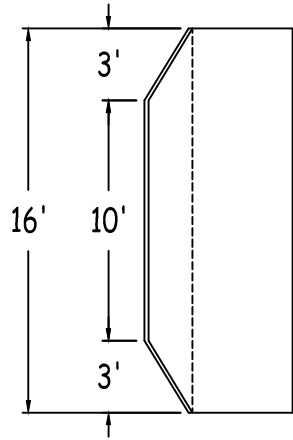
KIDNEY-6' HOPPER 16-0 X 18-2 X 32-1 LEFT

DWG #: B5CRHPS1632L15

DATE: 1/1/2015

SHEET: 2 OF 2

IN ACCORDANCE WITH ANSI/APSP/ICC-5 2011, THE INSTALLER IS RESPONSIBLE FOR PLACING ONE SKIMMER FOR EVERY 800 SQUARE FEET OF SURFACE AREA AND ONE RETURN FOR EVERY 300 SQUARE FEET OF SURFACE AREA.

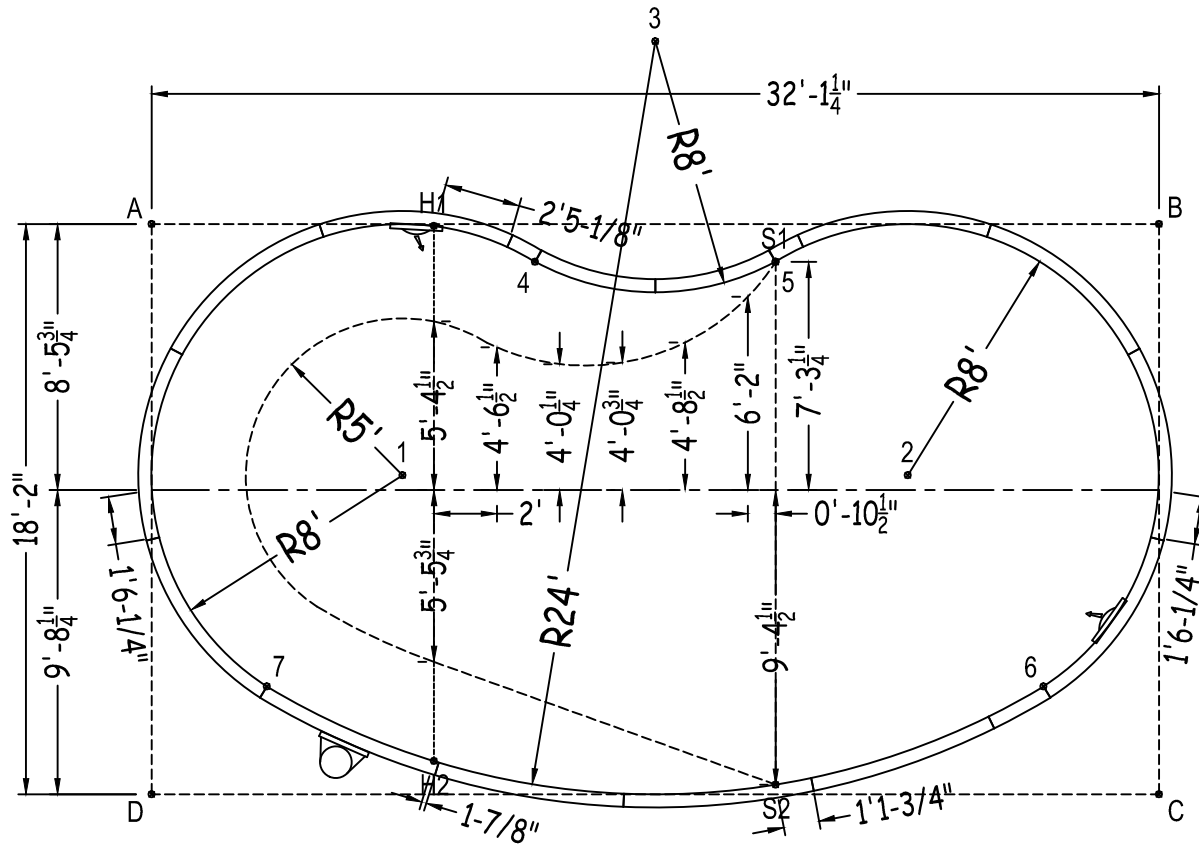


Bartop OG Pool System	KIDNEY-6' HOPPER 16-0 X 18-2 X 32-1 RIGHT			ALWAYS ENTER POOL Foot First MEETS DEPTH AND SHAPE MINIMUM STANDARD ANSI/APSP/ICC-5 2011	NON-DIVING POOL USE OF DIVING EQUIPMENT IS PROHIBITED
	52" STEEL PANELS	PERIMETER: 84'-0"	VOLUME (US Gal): 15100		
DWG#:	SURFACE (ft²): 471	VOLUME (Liters): 57100			
B5CRHPS1632R15	LINER (ft²): 514	DATE: 1/1/2015	DSR:		
KIT#:	CRHPS1632	COVER (ft²): 743	SCALE: 1/8" = 1'-0"		

KIDNEY-6' HOPPER

Center To Center	
1 To 2	16'-1 1/4"
1 To 3	16'-0"
1 To 4	8'-0"
2 To 3	16'-0"
2 To 4	13'-8 1/4"
3 To 4	8'-0"
Diagonals	
4 To 5	7'-8"
4 To 6	21'-1 1/4"
4 To 7	16'-0"
5 To 6	16'-0"
5 To 7	21'-1 1/4"
6 To 7	24'-9"

Part number	Description	Base	Option 1
		QTY	QTY
RA0722880X	24'Rx6'	3	3
RA0722880*	24'Rx6' SKIMMER	1	1
RA0242880X	24'Rx2'	1	1
RA0720960X	8'Rx6'	6	4
RA0720960*	8'Rx6' RETURN	2	2
RA0600960X	8'Rx5'	-	1
RA0120960S	8'Rx1' STEP	-	2
RA0120960X	8'Rx1'	2	1
RA072102SC	6'0"X4" STEP CONNECTOR	-	1
RR0480960X	8'RRx4'	2	2
Brace	Brace	17	18
IPC-DRVSTK12G	BRACE COMP D-STK 3"X24" 90D 12G	17	18
IPC-BT52WCS-2	COMPRESSION STRAP 2PC	34	36
IPC-STKPK25	REBAR STAKE 18" 25PC	2	2
IPC-HDWSTRT150	BOLT STR 3/8-16X1" C/W NUT 150PC	2	2
STP69X4P	ACRYLIC STEP FRENCH CURVE 6' (48")	-	1



	A	B	C	D
1	11'-3 3/4"	25'-4 3/4"	26'-1 3/4"	12'-11 1/4"
2	25'-4 3/4"	11'-3 3/4"	12'-11 1/4"	26'-1 3/4"
3	17'- 3/4"	17'- 3/4"	28'-10 1/4"	28'-10 1/4"
4	12'-3 1/4"	19'-11"	26'-1 3/4"	20'-10 3/4"
5	19'-11"	12'-3 1/4"	20'-10 3/4"	26'-1 3/4"
6	32'- 1/4"	15'-2 1/4"	5'- 1/4"	28'-7 1/2"
7	15'-2 1/4"	32'- 1/4"	28'-7 1/2"	5'- 1/4"
S2	26'-8 3/4"	21'-7 1/2"	12'-2 1/2"	19'-10 3/4"
S1	19'-11"	12'-3 1/4"	20'-10 3/4"	26'-1 3/4"
H2	19'-4"	28'-9"	23'-1 1/2"	9'- 3/4"
H1	9'-0"	23'-1 1/4"	29'-4 1/4"	20'-2 1/2"
A	-	32'-1 1/4"	36'-10 1/2"	18'-2"

KIDNEY-6' HOPPER 16-0 X 18-2 X 32-1 RIGHT

DWG #: B5CRHPS1632R15

DATE: 1/1/2015

SHEET: 2 OF 2