



POOL BREAKDOWN

PRISTINE BAY 24' ROUND 52" STEEL TOP RAIL - STEEL VERTICAL

√	QTY	CARTON NUMBER	CARTON DESCRIPTION
	1	5-9924-103	ASSEMBLY PACK CARTON
	1	5-9816-610	TOP RAIL PACK CARTON
	1	5-2000-904-560	VERTICAL PACK CARTON
	1	5-XXXX-024	SIDEWALL CARTON
	1	5-9999-2216	TOP CONNECTOR PACK
	1	5-9116-101	SKIRT PACK CARTON



CARTON BREAKDOWN

✓	ITEM	QTY	PART NUMBER	DESCRIPTION
ASSEMBLY PACK # 5-9924-103				
	1	40	545-1001	Plastic coping
	2	16	580-2379	Vertical end cap
	3	11	583-1005	Stabilizer Rail (Large)
	4	11	583-1004	Stabilizer Rail (Small)
	5	16	589-1222	Bottom rail
	6	16	580-1344	Bottom connector
	8	144	330-1127	Sheet metal screw, #10 x 1/2"
	14	16	510-1036	#10 x 1/2" Phillips Pan HD screw
	—	1	573-5660	Pool Parts List
	—	1	573-3697	Installation Instructions
	—	1	— — —	Warranty Card
	—	1	573-3169	"Safety First" Booklet

TOP RAIL PACK # 5-9816-610				
	18	16	587-1351	Top Rail

VERTICAL PACK # 5-2000-904-560				
	19	16	580-2222	Vertical

TOP CONNECTOR PACK # 5-9999-2216				
	7	16	340-2748	Top connector

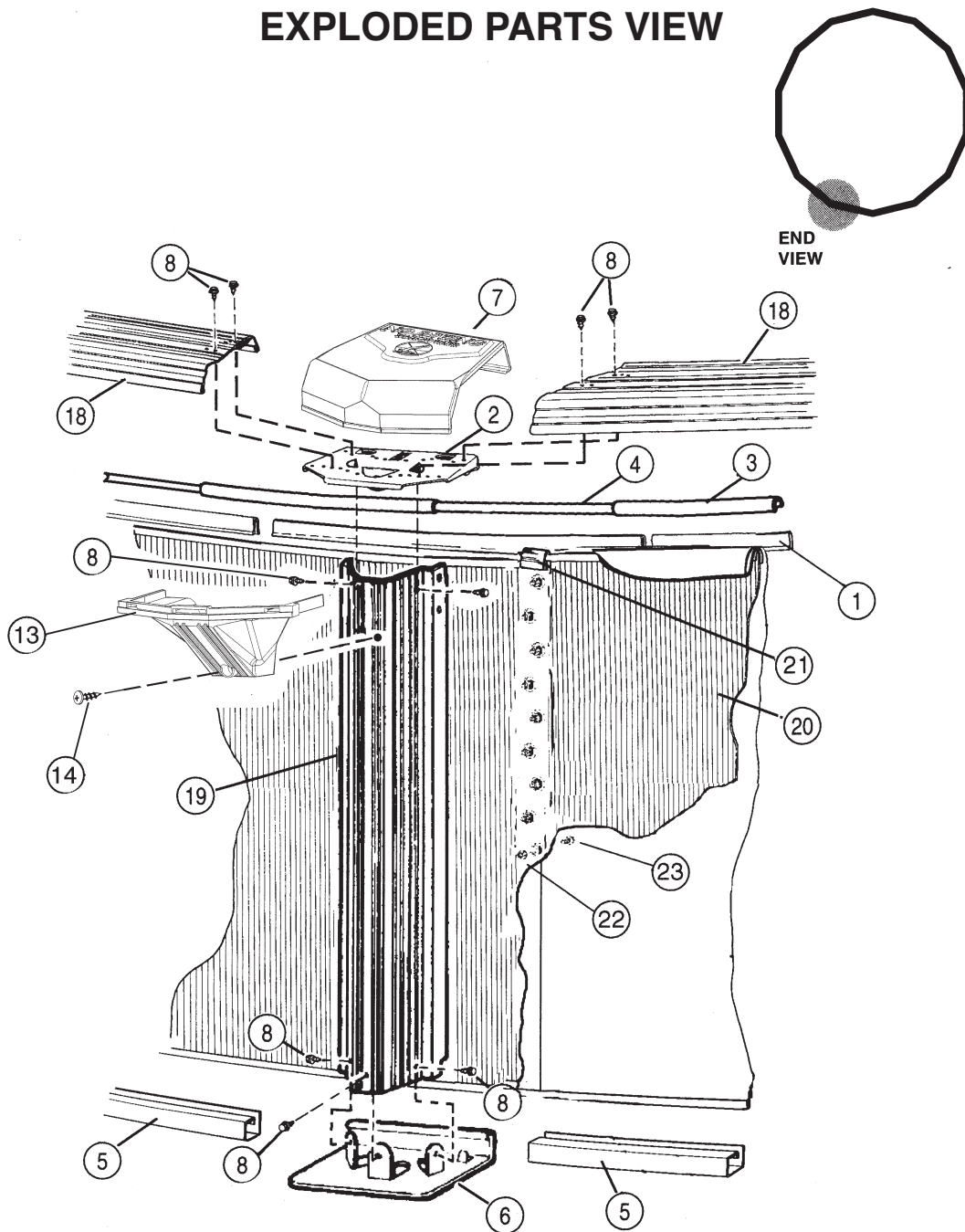
SKIRT PACK # 5-9116-101				
	13	16	340-2749	Vertical skirt

SIDEWALL CARTON				
	20	1	5-XXXX-024	Sidewall
	21	1	535-1442	Protective Strip
	22	26	321-1029	1/4-20 Hex Flange Locknut
	23	26	330-1280	1/4-20 x 1/2" Grade 5 Bolt
	—	1	560-1055	Warning Sign
	—	1	573-3169	"Safety First" Booklet
	—	1	573-3498	Safety DVD

WRITE SIDEWALL NUMBER HERE _____

WRITE SIDEWALL BOX SERIAL NUMBER HERE _____

EXPLODED PARTS VIEW



Important! Above-ground pools are designed for swimming and wading only. Do not Dive or Jump! Misuse of your pool may result in crippling injury and/or other dangers to life and health. Do not use slides, diving boards, or any other platform or object which can be used for improper pool entry. Use only an above-ground swimming pool ladder or entry system to enter or exit your pool. Never attempt to swim or reach behind ladders or any other pool entry system. It is the pool owner's responsibility to secure the pool against unauthorized, unsupervised or unintentional entry. It is also the pool owner's responsibility to warn all pool users of the hazards of diving into shallow water: paralyzing injury may result. Always obey all safety rules. Remember, pool safety is everybody's responsibility.

Safety decals and caution information provided with your pool have been endorsed by the U.S. Consumer Product Safety Commission. It is mandatory that the pool owner and installer follow the installation and use directions for all provided safety signs and decals. Juveniles must be supervised at all times by a responsible adult as directed by the USCPSC.

Change of Design: The manufacturer (Hill) expressly reserves the right to change or modify the design and construction of any product in due course of their manufacturing procedures, without incurring any obligation to furnish or install such changes or modifications on products previously or subsequently sold.