



POOL BREAKDOWN

CORONADO 8' x 12' OVAL 54" RESIN TOP RAIL - STEEL VERTICAL

√	QTY	CARTON NUMBER	CARTON DESCRIPTION
	1	5-9981-745	ASSEMBLY PACK CARTON
	1	5-9860-113	TOP RAIL PACK CARTON
	1	5-9804-112	TOP RAIL PACK CARTON
	1	5-9708-909	VERTICAL PACK CARTON
	2	5-9405-908	TOP CONN / SKIRT CARTON
	1	5-XXXX-081	SIDEWALL CARTON
	1	5-8888-802	SUPPORT BASE CARTON
	1	5-8801-209	SIDE VERTICAL EXT. CARTON



CARTON BREAKDOWN

√	ITEM	QTY	PART NUMBER	DESCRIPTION
TOP RAIL PACK # 5-9860-113				
	22	6	587-1928	Top Rail
TOP RAIL PACK # 5-9804-112				
	25	4	587-1817	Top Rail - transition

CARTON BREAKDOWN

✓	ITEM	QTY	PART NUMBER	DESCRIPTION
ASSEMBLY PACK # 5-9981-745				
	1	8	583-1059	Stabilizer Rail (Large)
	2	8	583-1060	Stabilizer Rail (Small)
	3	8	580-2375	Vertical End Cap
	4	8	580-1343	Bottom Connector
	5	2	580-2279	Side Vertical Cap
	7	17	545-1001	Plastic coping
	8	6	589-1306	Bottom Rail - stamped 8 OV
	10	4	589-1157	Bottom Rail - transition - stamped L 12 S
	12	120	330-1127	Sheet metal screw, #10 x 1/2"
	15	8	330-1075	Pan head screw, #14 x 1/2"
	17	8	580-2397	Vertical tab
	17a	2	580-1460	Vertical tab -Long- use for side supports only
	18	2	340-2767	Skirt block - Right
	19	2	340-2768	Skirt block - Left
	20	20	330-1057	Hex washer head screw #10-16 x 5/8"
	—	1	573-5746	Pool Parts List
	—	1	573-4058	Installation Instructions
	—	1	— — —	Warranty Card
	—	1	573-3169	"Safety First" Booklet

TOP CONNECTOR / SKIRT PACK # 5-9405-908 (2 Required)

	29	10	340-2765	Top Connector
	30	10	340-2766	Skirt

VERTICAL PACK # 5-9708-909

	33	8	580-2400	Vertical
--	----	---	----------	----------

SIDEWALL CARTON

	44	1	5-XXXX-081	Sidewall
	45	1	535-1442	Protective Strip
	46	26	321-1029	1/4-20 Hex Flange Locknut
	47	26	330-1280	1/4-20 x 1/2" Grade 5 Bolt
	—	1	560-1055	Warning Sign
	—	1	573-3169	"Safety First" Booklet
	—	1	573-3498	Safety DVD

WRITE SIDEWALL NUMBER HERE _____

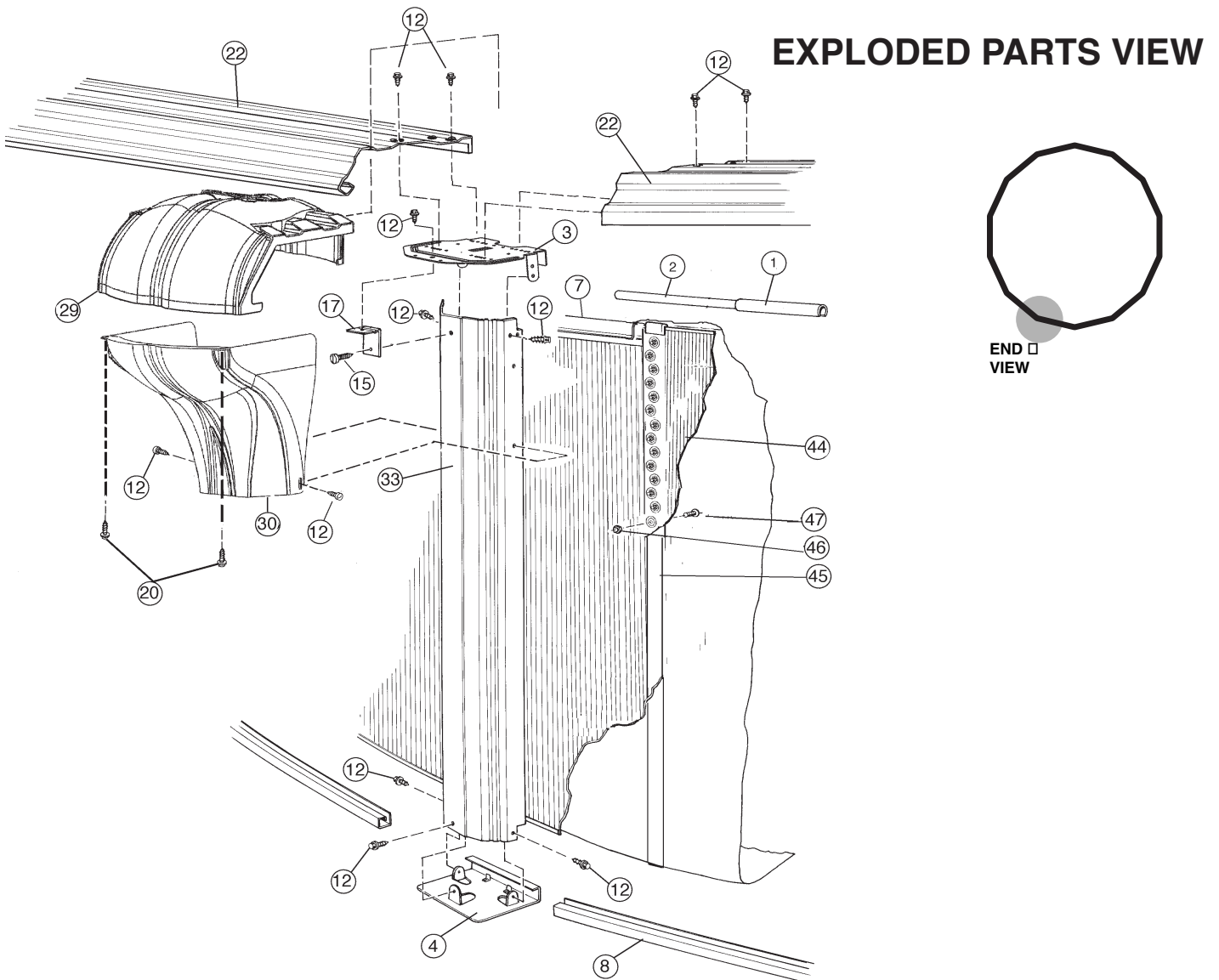
WRITE SIDEWALL BOX SERIAL NUMBER HERE _____

SUPPORT BASE PACK # 5-8888-802

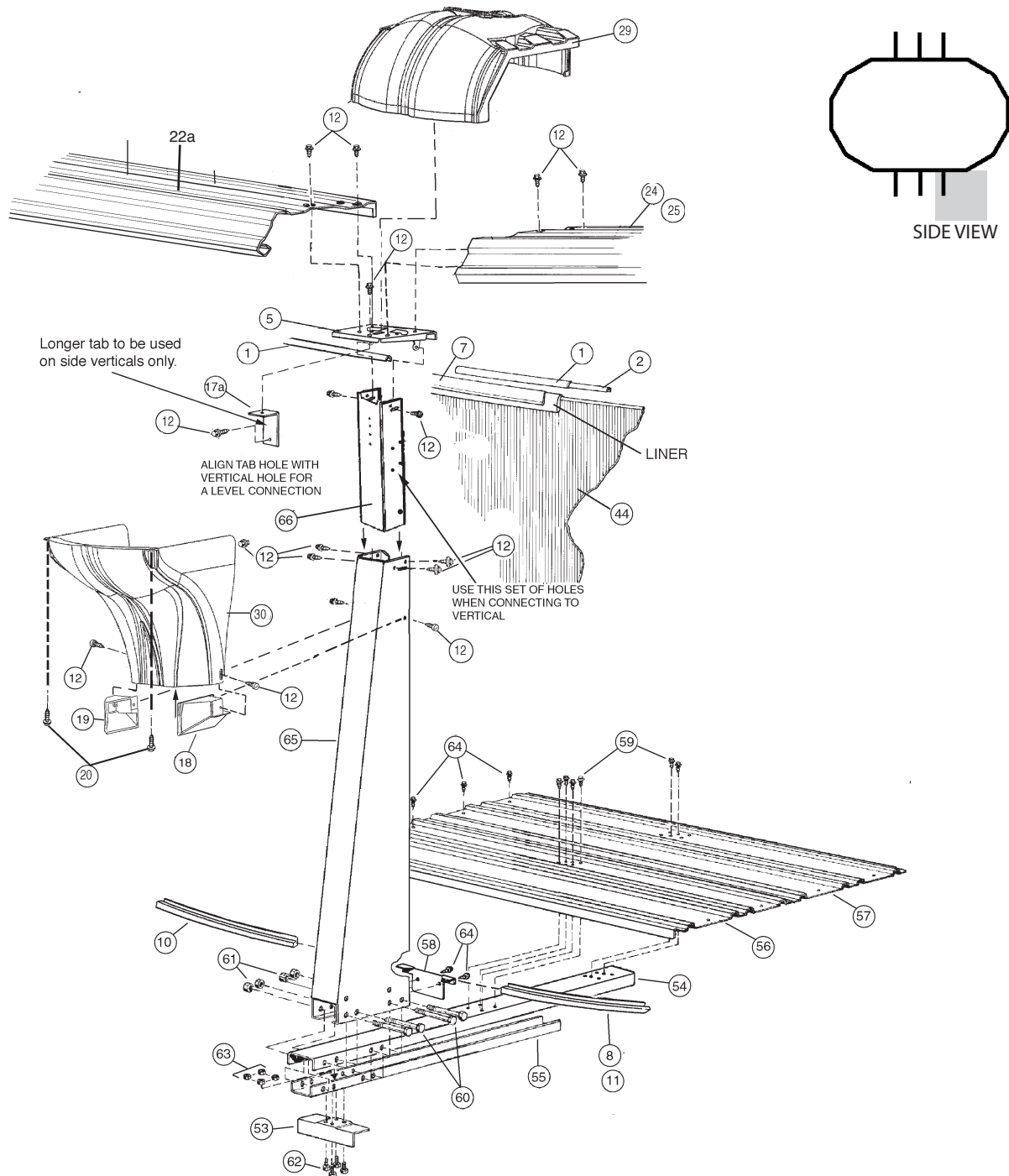
53	2	580-1779	Skid support
54	2	580-2071	Ground support - top
55	2	580-2072	Ground support - bottom
56	2	580-1869	Pressure pad
57	2	580-1870	Pressure pad
58	2	580-1792	Btm rail locator & cover
59	12	510-1035	#12x3/4" hex washer head screw
60	8	330-1220	3/8"-16 x 3-1/2" hex head bolt
61	8	321-1069	3/8-16 hex nut
62	8	510-1018	1/4-20 x 1/2" hex head bolt - grade 5
63	8	511-1000	1/4-20 hex nut
64	12	330-1127	Sheet metal screw, #10 x 1/2"
65	2	580-2402	Side support

SIDE VERTICAL EXT. PACK # 5-8801-209

66	2	580-2401	Side vertical extension
----	---	----------	-------------------------



EXPLODED PARTS VIEW



Important! Above-ground pools are designed for swimming and wading only. Do not Dive or Jump! Misuse of your pool may result in crippling injury and/or other dangers to life and health. Do not use slides, diving boards, or any other platform or object which can be used for improper pool entry. Use only an above-ground swimming pool ladder or entry system to enter or exit your pool. Never attempt to swim or reach behind ladders or any other pool entry system. It is the pool owner's responsibility to secure the pool against unauthorized, unsupervised or unintentional entry. It is also the pool owner's responsibility to warn all pool users of the hazards of diving into shallow water: paralyzing injury may result. Always obey all safety rules. Remember, pool safety is everybody's responsibility.

Safety decals and caution information provided with your pool have been endorsed by the U.S. Consumer Product Safety Commission. It is mandatory that the pool owner and installer follow the installation and use directions for all provided safety signs and decals. Juveniles must be supervised at all times by a responsible adult as directed by the USCPSC.

Change of Design: The manufacturer (HII) expressly reserves the right to change or modify the design and construction of any product in due course of their manufacturing procedures, without incurring any obligation to furnish or install such changes or modifications on products previously or subsequently sold.