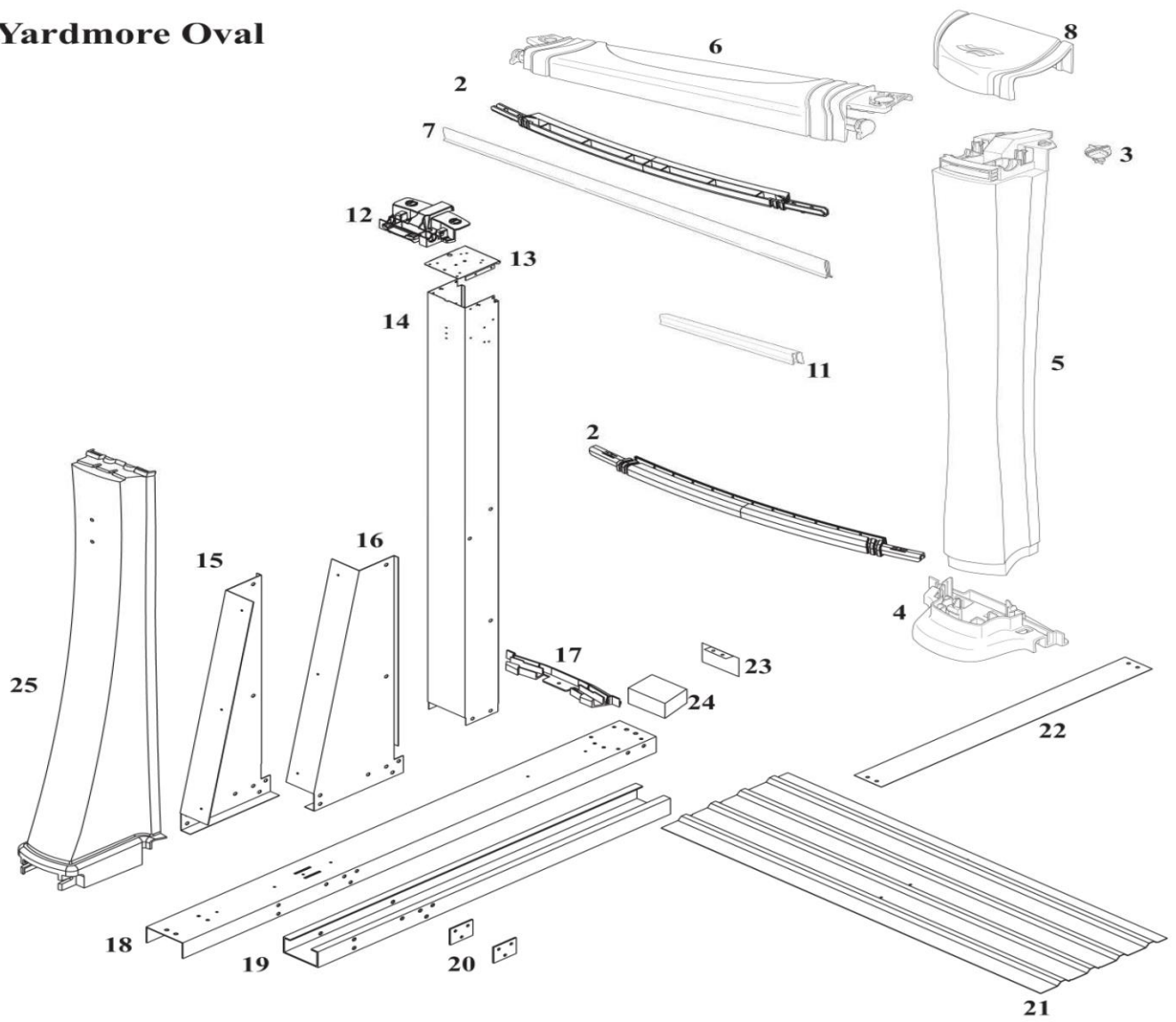


# Matrix

## Yardmore Oval



| <b>Product Description:</b> |                                       | <b>Matrix Yardmore Oval</b>                    |               |             |             |             |             |
|-----------------------------|---------------------------------------|--|---------------|-------------|-------------|-------------|-------------|
| <b>Product Code</b>         |                                       | <b>PMAT-YM54RRRRRS1</b>                        |               |             |             |             |             |
|                             |                                       | <b>Qty Required for Installation (by Size)</b> |               |             |             |             |             |
| <b>Index #</b>              | <b>Description</b>                    | <b>Part #</b>                                  | <b>Length</b> | <b>1526</b> | <b>1530</b> | <b>1833</b> | <b>1840</b> |
| 6                           | Top Rail Curved                       | 22791  | 49-59-64"     | 10          | 10          |             |             |
| 6                           | Top Rail Curved                       | 22792  | 50-11/16"     |             |             | 12          | 12          |
| 6                           | Top Rail Straight Side                | 22797  | 38-1/16"      | 8           | 10          | 10          | 14          |
| 5                           | Upright                               | 22798  | 54"           | 12          | 12          | 14          | 14          |
| 14                          | Upright Oval Straight Side            | 22151  | 52-1/2"       | 6           | 8           | 8           | 12          |
| 25                          | Upright                               | 22903  | 54"           | 6           | 8           | 8           | 12          |
| 8                           | Top Cap                               | 22799  | 8"            | 18          | 20          | 22          | 26          |
| 4                           | Bottom Cuff                           | 22801  |               | 12          | 12          | 14          | 14          |
| 13                          | Top Plate                             | 10136R   | 4"            | 6           | 8           | 8           | 12          |
| 12                          | Top Plate Oval                        | 22928  |               | 6           | 8           | 8           | 12          |
| 7                           | Plastic Coping                        | 10296  | 48"           | 19          | 19          | 21          | 24          |
| 11                          | Wall Rim Spacer Curved                | 17514  | 11"           | 12          | 12          | 14          | 14          |
| 11                          | Wall Rim Spacer Straight              | 18571  | 13"           | 6           | 8           | 8           | 12          |
| 17                          | Wall Rim Connector Straight Side      | 22802  |               | 6           | 8           | 8           | 16          |
| 2                           | Bottom Rail                           | 22803  | 49"           | 20          | 20          |             |             |
| 2                           | Bottom Rail                           | 22804  | 50"           |             |             | 24          | 24          |
| 2                           | Bottom Rail Straight Side             | 22809  | 37-1/2"       | 16          | 20          | 20          | 28          |
| 17                          | Connector Bottom Rail Straight Side   | 16542  |               | 6           | 8           | 8           | 8           |
| 21                          | Pressure Plate                        | 16549  | 44"           | 6           | 8           | 8           | 12          |
| 18                          | Strap Over Channel                    | 16539  | 52 3/8        | 6           | 8           | 8           | 12          |
| 23                          | Oval Channel End Cap                  | 22726  |               | 6           | 8           | 8           | 12          |
| 24                          | Oval Channel Foam Block               | 29917  |               | 12          | 16          | 16          | 24          |
| 19                          | Under Channel Yardmore                | 15933  | 45 9/16"      | 6           | 8           | 8           | 12          |
| 15                          | Yardmore Gusset Left                  | 16374  |               | 6           | 8           | 8           | 12          |
| 16                          | Yardmore Gusset Right                 | 16375  |               | 6           | 8           | 8           | 12          |
| 22                          | Strap Section                         | 16725  | 40 11/16"     | 9           | 12          |             |             |
| 22                          | Strap Section                         | 16726  | 52-11/16"     |             |             | 12          | 18          |
| 20                          | Hardware Stainless Steel Base Pack YM | 16722  | [2 upr]       | 1           |             |             |             |
| 20                          | Hardware Stainless Steel Base Pack YM | 16720  | [4 upr]       | 1           | 2           | 2           | 3           |
| *                           | Hardware Stainless Steel              | 15177  |               | 1           |             |             |             |
| *                           | Hardware Stainless Steel              | 15178  |               |             | 1           |             |             |
| *                           | Hardware Stainless Steel              | 15179  |               |             |             | 1           |             |
| *                           | Hardware Stainless Steel              | 15180  |               |             |             |             | 1           |
|                             | Envelope Safety Stickers              | 95-0007  |               | 1           | 1           | 1           | 1           |
|                             | Instructional DVD                     | 36879  |               | 1           | 1           | 1           | 1           |
| 3                           | Lock Down                             | 17781  |               |             |             |             |             |
|                             | *May not be pictured                  |  |               |             |             |             |             |