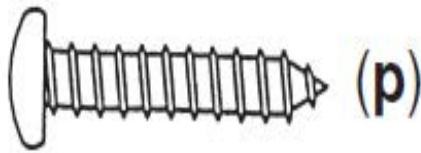
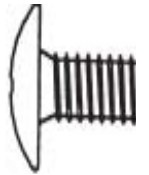


D30



(ACTUAL SIZE)
(GRANDEUR RÉELLE)
(TAMAÑO REAL)



1. INSTALLING YOUR ABOVEGROUND POOL

The pool must be installed only on level, firm (undug, non-filled) earth. We do not recommend backfilling or grading earth up against the pool wall or frame covering any part of them.

- Check local building codes for setback from house and property lines.
- Check regulations concerning fence height and position.
- Check above and below ground for existing gas, electric, telephone and water lines.

ERECTING A POOL ON BLACKTOP, TAR PAPER, ASPHALT, CONCRETE, GRAVEL, OR ANY SOIL CONTAINING SHARP OBJECTS WILL INVALIDATE LINER WARRANTY.

- Sod should be removed to prevent irregular bottom and any unpleasant odor from decaying grass.
- Do not use any oil based weed killer on cleared ground as it could stain the liner. Use weed killer made specifically for swimming pool base applications.
- Material for bottom of pool should be fine and free of sharp objects.

RECOMMENDED MATERIALS:

- Fine (shell free) sand or vermiculite.

FOR HARD BOTTOM:

- 6 parts of either material can be mixed with 1 part cement; applied dampened 2" (5 cm) thick, smoothed and packed with a trowel - Cove 6" (15cm) up wall around pool.

If NUTGRASS is prevalent in your area (ie. Southern USA) use special chemicals which kill nutgrass in pool areas. Consult your local hardware or lawn care company.

NOTE: pH and chlorine balance must be maintained at normal levels. Excessive pH change or chlorine load will result in liner fading, turning brittle and either fading or puckering - This is not covered under the manufacturer's warranty.

WINTERIZE your pool according to the instructions provided. Failing to do so will void the pool and/or liner warranty.

NOTE: never empty your pool. Without water in your pool, the liner is subject to shrinkage and the pool is subjected to strong wind damage.

2. STEPS TO INSTALL YOUR OVAL POOL (following numbers on installation sheet)

- 6 Tools required.
- 7 - 12 Layout, ground preparation and ground levelling (in areas prone to nutgrass (Southern U.S.) sterilize soil with approved chemical).
- 13 Check and layout parts.
- 14 - 15 After pool area has been leveled, remove additional 3 1/4" material in trenches. Butress and foot beam assemblies will be placed in these trenches. Make sure trenches are smooth and level. Top of framework must be level with pool area. Dig and level patio blocks into trenches.
- 16 - 18 Assemble splice bracket, foot beam spool sleeves (see close-up #16) and insert styrofoam plugs at both ends of each foot beam. Attach butress post to splice bracket using 1/2" x 3" bolts, nuts and washers. Snap on bolt cap covers. Place butress post assemblies on top of each patio block in trenches.
- 19 - 21 Slide curved bottom track (G10131) into notch and track guide at bottom of butress post (7005).
- 22 - 28 Screw pressure plate into position between foot beams using #14 x 1" self-tapping hardware. Once each side is completed, make sure assembly is level in pre-dug trenches and join together with tension straps (note - the number of straps for each pool size). Join straps where necessary with 1/4" x 5/8" screws and flange nuts (25b & 25c). Make sure assemblies are square (top of assemblies must be level with ground).
- 29 - 36 Layout bottom collar / connector and track on radius ends. Position bottom collar / connector on the ground. Check the radius and adjust track if necessary. Place and level patio stones under the connectors already in position at radius ends. Check radius according to pool size.
- 37 Remove piece of track temporarily to access interior of pool.
- 38 - 45 Add floor sand and uncoil wall into track starting midway at a connector (#40 - #41) - securing with pegs and string (or have 5-6 people hold wall up). Once unwound, adjust tracks at connectors to make wall bolt holes line up. Secure wall with hardware using every hole and **secure very tightly with wrench** (screw head on water side of wall). Tape over screw heads using duct tape.
- 46 - 47 Position and attach posts and tape in place.
- 48 - 50 Pack soil around butress assemblies and compact with tamper. Spread, smooth and compact sand floor at radius ends with a cove at the wall.
- 51 - 55 Unroll liner, spread out, gather up and put inside pool, overlapping the wall until floor is free of wrinkles. Snap inner combing (12020) over liner and wall to secure liner. Adjust fit and start to add water. Overlap on liner may be folded up under the ledge - do not cut.
- 56 - 60 Install top tracks and connectors in place.
- 61 - 63 Install top ledges and caps.
- 64 - 67 Assemble skimmer/inlet, hoses and filter according to separate manufacturer's instructions.

- NOTES:**
- POOL MUST BE BUILT ON SOLID, LEVEL AND NON-FILLED AREA.
 - ENSURE WALL JOINT IS BEHIND A POST WITH THE SKIMMER AND INLET POSITIONED WHERE YOU WANT THE FILTER (#54).
 - ENSURE ALL WALL BOLTS ARE TIGHTENED SECURELY TO A MINIMUM TORQUE SPECIFICATION OF 5 FOOT POUNDS.
 - DO NOT ASSEMBLE WALL ON A WINDY DAY.

*** THIS INSTALLATION IS FOR AN OVERLAP LINER. FOR OTHER LINER TYPES, CHECK LINER BOX FOR INSTRUCTIONS.**

3. ABOVEGROUND POOL PARTS LIST*

**COUNT YOUR PARTS
BEFORE STARTING POOL.**

	(")	8'x14'	8'x19'	10'x16'	10'x21'	12'x18'	12'x24'	14'x20'	14'x25'	16'x26'	16'x32'	18'x33'	18'x38'	18'x44'	
	(m)	4,15x2,40	5,90x2,40	4,75x3,00	6,40x3,00	5,60x3,70	7,30x3,70	6,00x4,30	7,70x4,30	8,00x4,90	9,80x4,90	10,00x5,50	11,70x5,50	13,40x5,50	
(a) 7" (17 cm) Ledge #781016 / 771016 52 5/8" (133,67 cm)													12	12	12
(a) 7" (17 cm) Ledge #781015 / 771015 32 3/4" (83,19 cm)		4	8	4	8	4	8	4	8	8	12	12	16	20	
(a) 7" (17 cm) Ledge #781013 / 771013 48 3/4" (123,83 cm)										12	12				
(a) 7" (17 cm) Ledge #781012 / 771012 47" (119,38 cm)						10	10								
(a) 7" (17 cm) Ledge #781010 / 771010 31 1/4" (79,38 cm)		10	10	12	12										
(a) 7" (17 cm) Ledge #781011 / 771011 43 31/32" (111,68 cm)								12	12						
(b) Upright Post 7" (17 cm) #7720-48/52		8	8	10	10	8	8	10	10	10	10	10	10	10	
(c) Top Connector #7740		8	8	10	10	8	8	10	10	10	10	10	10	10	
(d) Collar / Connector Combo #7FCCOMBO		8	8	10	10	8	8	10	10	10	10	10	10	10	
(e) Cap #7774		14	18	16	20	14	18	16	20	20	24	24	28	32	
(x) Round Extension #7776		8	8	10	10	8	8	10	10	10	10	10	10	10	
(bb) Oval Extension Cap #776BPE		6	10	6	10	6	10	6	10	10	14	14	18	22	
(f) Foot Beam #9013GV		6	10	6	10	6	10	6	10	10	14	14	18	22	
(g) Splice Bracket #9014GV		12	20	12	20	12	20	12	20	20	28	28	36	44	
(h) Top Track #6731-00		10	10	12	12	10	10	12	12	12	12	12	12	12	
(i) Bottom Track #6101-00/R101-00 with Resin Ledges Only		10	10	12	12	10	10	12	12	12	12	12	12	12	
(j)(n) Bottom Oval Track 32" (81,28 cm) #610131/R101 with Resin Ledge Only		4	8	4	8	4	8	4	8	8	12	12	16	20	
(cc) Top Oval Track 32" (81,28 cm) #673118		4	8	4	8	4	8	4	8	8	12	12	16	20	
(k) Buttress Post #7005-48/52		6	10	6	10	6	10	6	10	10	14	14	18	22	
(l) Universal Buttress Top Connector #568UBC		6	10	6	10	6	10	6	10	10	14	14	18	22	
(m) Pressure Plate #9019GVBTM		4	8	4	8	4	8	4	8	8	12	12	16	20	
(o) Inner Combing 56" (142,24 cm) #12020		8	10	9	12	11	14	12	14	16	18	19	21	23	
(p) Self Tapping Screw Silver #14 x 7/8" (2,22 cm)		40	72	40	72	40	72	40	72	72	104	104	136	168	
(dd) Self Tapping Screw Gold #12 x 1" (2,54 cm)		120	152	138	170	120	152	138	170	170	202	202	234	266	
(q) Screw Buttons #9020CC		28	36	32	40	28	36	32	40	40	48	48	56	64	
(r) 1/2" x 3" x #13 (12,70 mm x 7,62 cm) Bolt		24	40	24	40	24	40	24	40	40	56	56	72	88	
(r) 1/2" (12,70 mm) Nut		24	40	24	40	24	40	24	40	40	56	56	72	88	
(r) 1/2" (12,70 mm) Washer		72	120	72	120	72	120	72	120	120	168	168	216	264	
(s) 1/4" #20 x 5/8" (6,35 mm x 15,88 mm) Screws						12	20	12	20	40	56	56	72	88	
(s) 1/4" #20 x 5/8" (6,35 mm x 15,88 mm) Flange Nuts						12	20	12	20	40	56	56	72	88	
(t) Tension Strap 14" w x 24 7/8" L (35,56 cm x 63,11 cm) #9001		3	5												
(t) Tension Strap 8" w x 47 7/8" L (20,32 cm x 121,53 cm) #9002				3	5										
(t) Tension Strap 4" w x 37 15/16" L (10,16 cm x 96,33 cm) #9003						6	10								
(t) Tension Strap 4" w x 50 1/8" L (10,16 cm x 127,33 cm) #9006								6	10						
(t) Tension Strap 3" w x 42 1/32" L (7,62 cm x 104,86 cm) #9004										15	21				
(t) Tension Strap 3" w x 49 15/16" L (7,62 cm x 126,87 cm) #9005												21	27	33	
(u) Liner		1	1	1	1	1	1	1	1	1	1	1	1	1	
(v) Steel Wall includes joiner screws (s)		1	1	1	1	1	1	1	1	1	1	1	1	1	
Installation Sheet		1	1	1	1	1	1	1	1	1	1	1	1	1	
Safety Sticker		2	2	2	2	2	2	2	2	2	2	2	2	2	
(y) Foot Beam Styrofoam Plug #8516		12	20	12	20	12	20	12	20	20	28	28	36	42	
(z) Bolt Cap Cover #9017BC		24	40	24	40	24	40	24	40	40	56	56	72	88	
(aa) Spool Sleeve #8512		24	40	24	40	24	40	24	40	40	56	56	72	88	
(h) Note: Top Track #6731-00															
indicate proper radius by inserting code in place of -00.		-19	-19	-17	-17	-11	-11	-20	-20	-08	-08	-15	-15	-15	
(i) Note: Bottom Track #6101-00															
(n) Note: Bottom Track R101-00 with Resin Ledges Only															
Length		30"	30"	31"	31"	47"	47"	43 3/3"	43 3/4"	48 5/8"	48 5/8"	52 1/4"	52 1/4"	52 1/4"	
indicate proper radius by inserting code in place of -00.		-40	-40	-36	-36	-28	-28	-37	-37	-29	-29	-30	-30	-30	
Length		30"	30"	31"	31"	47"	47"	43 3/4"	43 3/4"	48 5/8"	48 5/8"	52 1/4"	52 1/4"	52 1/4"	
Length		(76,20cm)	(76,20cm)	(78,74cm)	(78,74cm)	(119,38cm)	(119,38cm)	(111,12cm)	(111,12cm)	(123,50cm)	(123,50cm)	(133cm)	(133cm)	(133cm)	

4. ACTUAL SIZE

SIZE		DIAMETER		WALL LENGTH		PATIO BLOCKS 8" X 16" X 2" (20 cm x 40 cm x cm x 5 cm)		MASON SAND	
8' x 14'	(4,15 m x 2,40 m)	8' 1" x 13' 7"	(4,14 m x 2,46 m)	36' 4 1/2"	(11,09 m)	14	3/4	cubic yard	
8' x 19'	(5,90 m x 2,40 m)	8' 1" x 19' 1"	(5,82 m x 2,46 m)	47' 3 1/2"	(14,42 m)	18	1	cubic yard	
10' x 16'	(4,75 m x 3,00 m)	10' 0" x 15' 6"	(4,72 m x 3,05 m)	42' 4 3/4"	(12,92 m)	16	3/4	cubic yards	
10' x 21'	(6,40 m x 3,00 m)	10' 0" x 21' 0"	(6,40 m x 3,05 m)	53' 3 3/4"	(16,25 m)	20	1 1/4	cubic yards	
12' x 18'	(5,60 m x 3,70 m)	11' 11 1/2" x 18' 5 1/2"	(5,63 m x 3,65 m)	50' 7"	(15,42 m)	14	1	cubic yard	
12' x 24'	(7,30 m x 3,70 m)	11' 11 1/2" x 23' 11 1/2"	(7,30 m x 3,65 m)	61' 7"	(18,77 m)	18	1 1/2	cubic yards	
14' x 20'	(6,00 m x 4,30 m)	14' 1" x 19' 7"	(5,97 m x 4,29 m)	55' 3"	(16,84 m)	16	1 3/4	cubic yard	
14' x 25'	(7,70 m x 4,30 m)	14' 1" x 25' 1"	(7,65 m x 4,29 m)	66' 3"	(20,19 m)	20	2	cubic yards	
16' x 26'	(8,00 m x 4,90 m)	15' 11" x 26' 6"	(8,08 m x 4,85 m)	71' 2 3/4"	(21,71 m)	20	2 1/2	cubic yards	
16' x 32'	(9,80 m x 4,90 m)	15' 11" x 32' 0"	(9,75 m x 4,85 m)	82' 2 3/4"	(25,06 m)	24	3	cubic yards	
18' x 33'	(10,00 m x 5,50 m)	17' 10" x 32' 10"	(10,01 m x 5,44 m)	86' 0"	(26,21 m)	24	3 1/4	cubic yards	
18' x 38'	(11,60 m x 5,50 m)	17' 10" x 38' 4"	(11,61 m x 5,44 m)	96' 11"	(29,56 m)	32	3 1/2	cubic yards	
18' x 44'	(13,40 m x 5,50 m)	17' 10" x 43' 10"	(13,40 m x 5,44 m)	107' 10"	(32,91 m)	36	3 3/4	cubic yards	

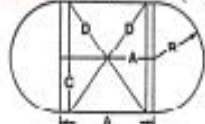
6.



7.

1 1/2" (4cm) 1 1/2" (4cm) 1 1/2"

12'x16'
&
12'x24'



8' x 14'

(8'-1" x 13'-7")

8' x 19'

(8'-1" x 19'-1")

10' x 16'

(10'-0" x 15'-6")

10' x 21'

(10'-0" x 21'-0")

12' x 18'

(11'-11 1/2" x 18'-6")

12' x 24'

(11'-11 1/2" x 23'-11 1/2")

14' x 20'

(14'-1" x 19'-7")

14' x 25'

(14'-1" x 25'-1")

16' x 26'

(15'-11" x 26'-5")

16' x 32'

(15'-11" x 32'-0")

18' x 33'

(17'-10" x 32'-10")

18' x 38'

(17'-10" x 38'-4")

18' x 44'

(17'-10" x 43'-10")

A

B

C

D

R

A

B

C

D

R

4'-1 1/2"

4'-1 1/2"

5'-1"

5'-1"

6'-0 3/4"

6'-0 3/4"

7'-1 1/2"

7'-1 1/2"

8'-0 1/2"

8'-0 1/2"

9'-0"

9'-0"

10'-0"

10'-0"

11'-0"

11'-0"

12'-1 1/2"

12'-1 1/2"

13'-8"

13'-8"

14'-4 1/4"

14'-4 1/4"

15'-6 3/8"

15'-6 3/8"

16'-10 5/8"

16'-10 5/8"

17'-11 1/2"

17'-11 1/2"

18'-2 1/2"

18'-2 1/2"

19'-7"

19'-7"

20'-5 1/2"

20'-5 1/2"

21'-5 1/2"

21'-5 1/2"

22'-8 1/2"

22'-8 1/2"

23'-5 3/4"

23'-5 3/4"

24'-11"

24'-11"

26'-0"

26'-0"

28'-11 3/4"

28'-11 3/4"

33'-5 1/2"

33'-5 1/2"

42'0" x 2,40m

(13,14m x 2,47m)

5,80m x 2,40m

(5,82m x 2,47m)

4,80m x 3,05m

(4,73m x 3,05m)

6,40m x 3,05m

(6,41m x 3,05m)

5,60m x 3,70m

(5,64m x 3,65m)

7,30m x 3,70m

(7,31m x 3,65m)

6,10m x 4,30m

(5,97m x 4,30m)

7,60m x 4,30m

(7,65m x 4,30m)

8,00m x 4,00m

(8,08m x 4,85m)

9,80m x 4,90m

(9,76m x 4,85m)

10,00m x 5,50m

(10,01m x 5,44m)

11,60m x 5,50m

(11,60m x 5,50m)

13,40m x 5,50m

(13,37m x 5,50m)

1,68m

1,92m

2,52m

3,16m

1,26m

3,36m

3,58m

2,52m

4,38m

1,26m

1,68m

1,92m

3,10m

3,65m

1,35m

3,36m

3,58m

3,10m

4,74m

1,35m

1,99m

1,92m

3,70m

4,17m

1,35m

3,66m

3,58m

3,70m

5,15m

1,35m

1,68m

1,92m

4,35m

4,70m

2,17m

3,06m

3,58m

4,35m

5,60m

2,17m

3,04m

3,58m

4,01m

6,07m

2,45m

4,91m

5,25m

4,91m

7,19m

2,45m

4,58m

5,25m

5,49m

7,60m

2,75m

6,25m

6,91m

5,49m

8,84m

2,75m

7,93m

8,60m

5,49m

10,20m

2,75m

12'x16'
&
12'x24'

8'x14'
&
8'x19'
10'x16'
&
10'x21'

16'x26'
&
16'x32'

18'x33'
18'x38'
18'x44'

13 1/4" (34cm)

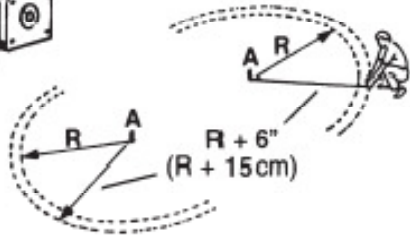
(34cm) 13 1/4"

8.

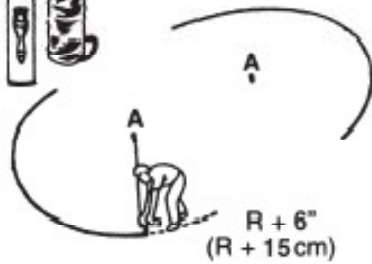


A

9.



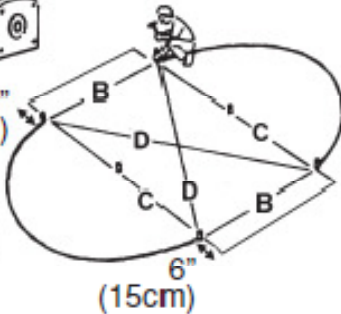
10.



11.



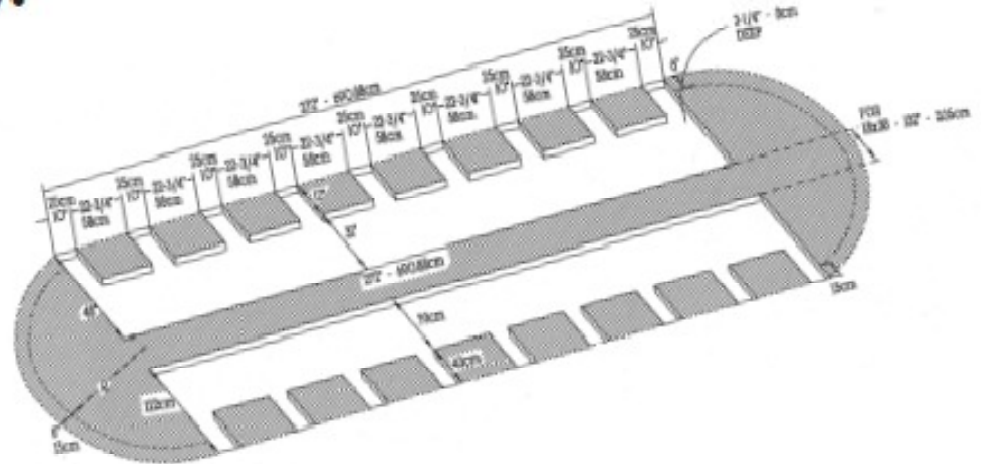
6" (15cm)



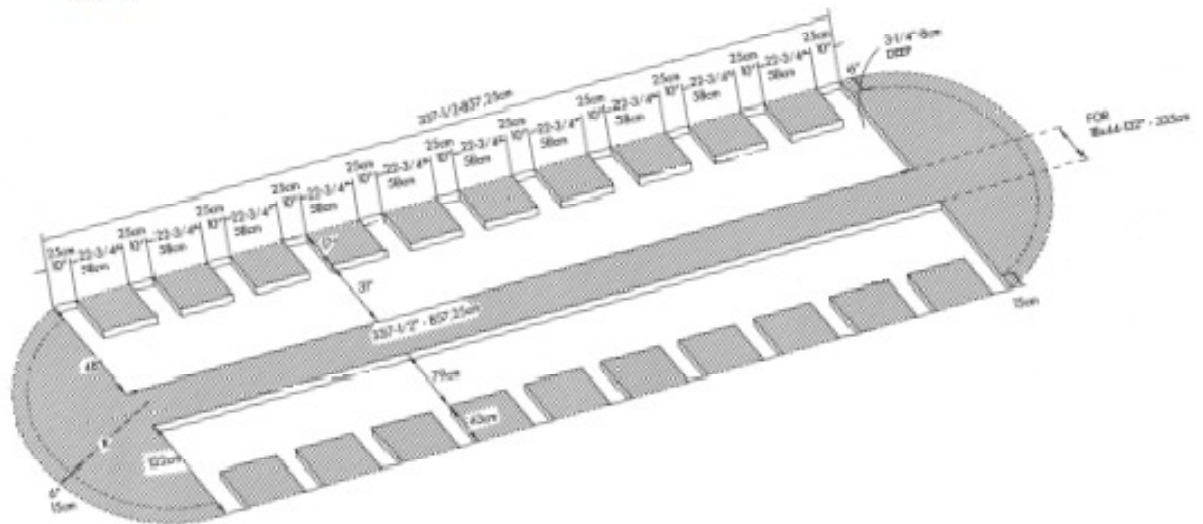
6" (15cm)



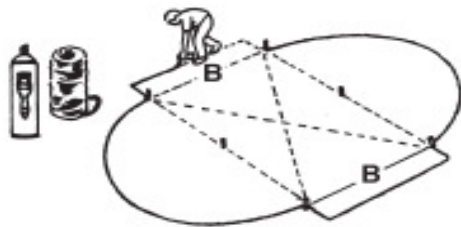
14 (b).



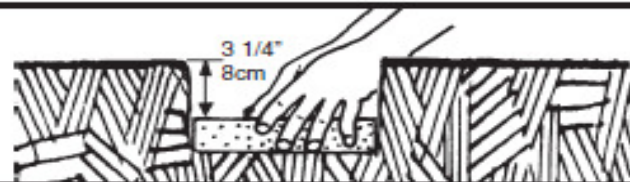
14 (c).



12.



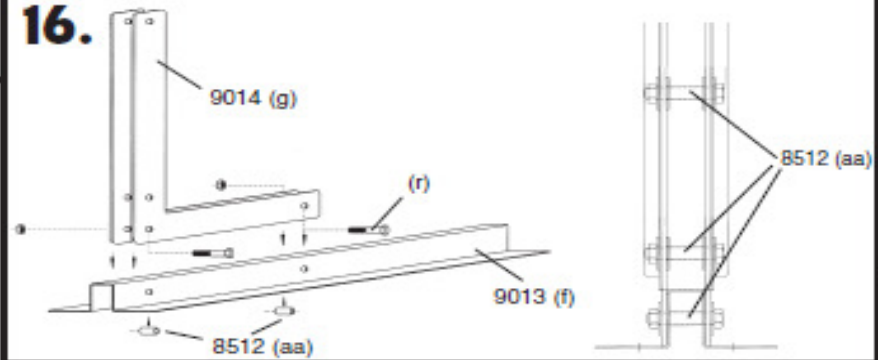
15.



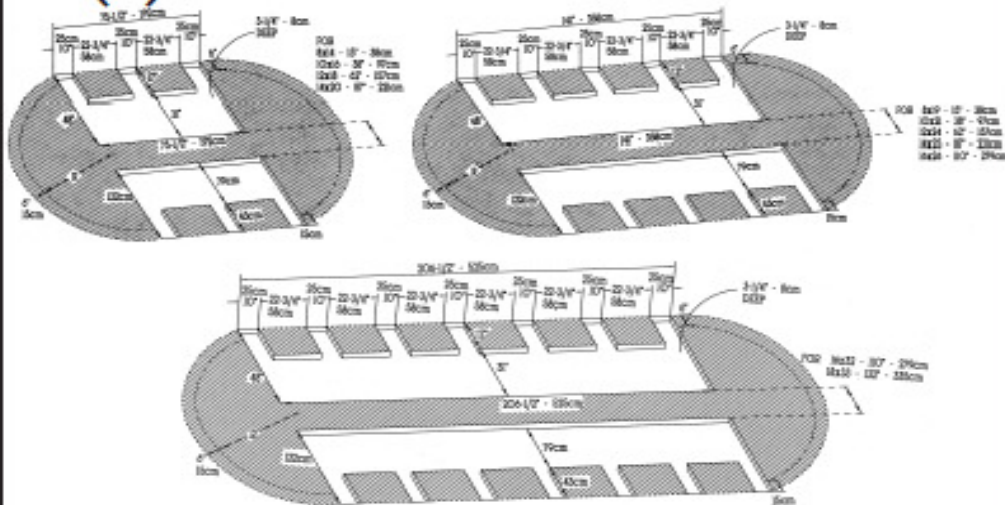
13.



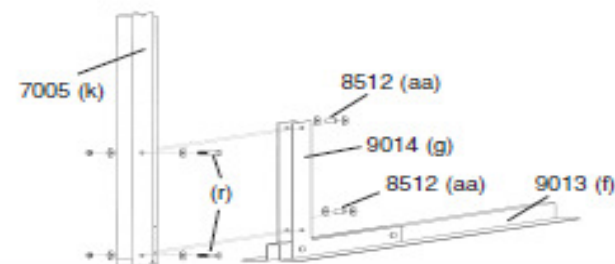
16.



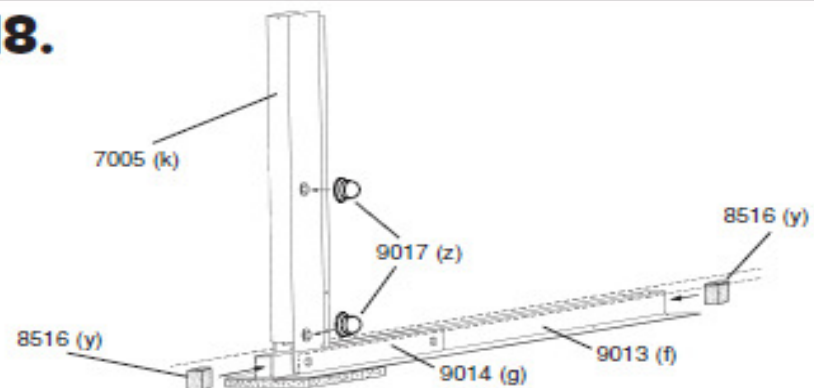
14 (a).



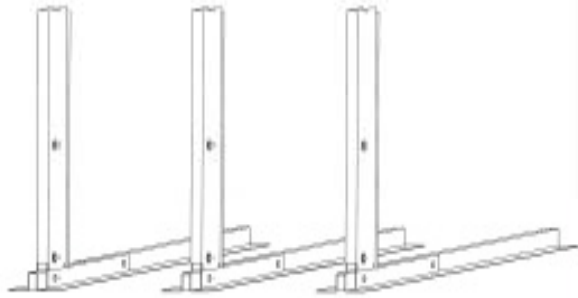
17.



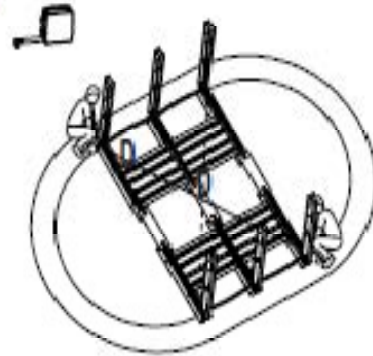
18.



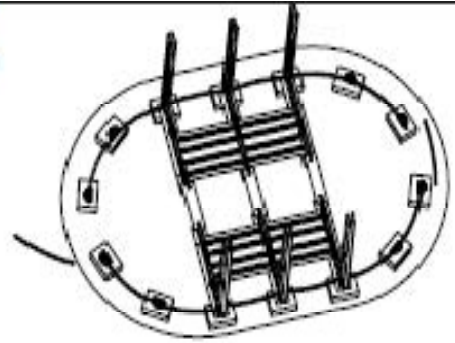
19.



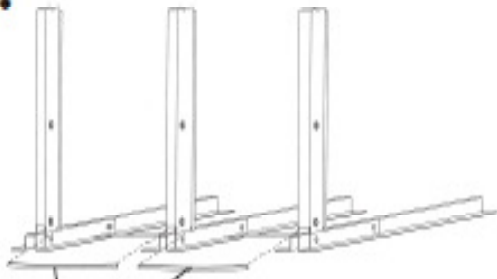
26.



37.

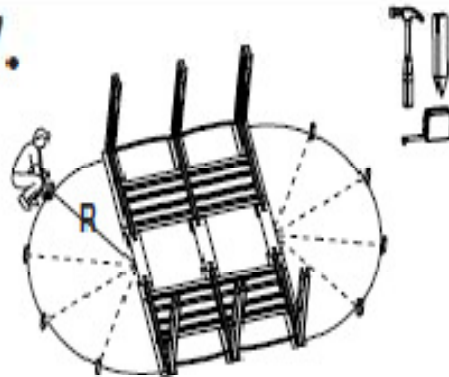


20.

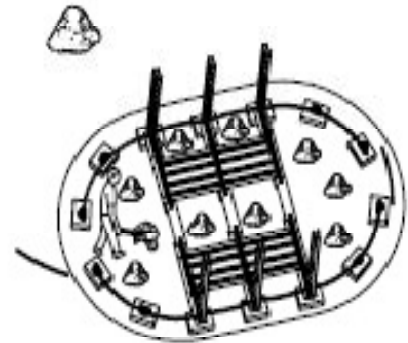


6101-31 (j) R101-31

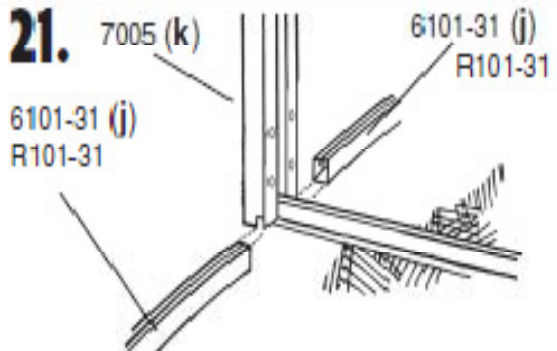
27.



38.



21.



7005 (k)

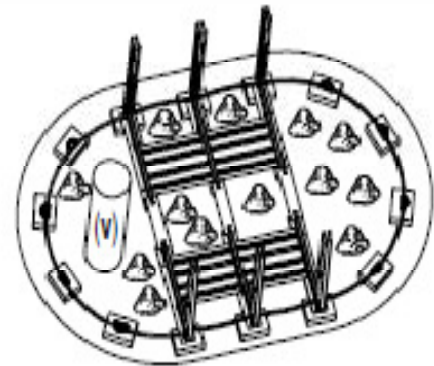
6101-31 (j)
R101-31

6101-31 (j)
R101-31

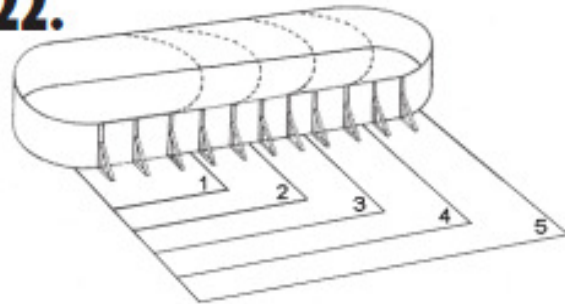
28.



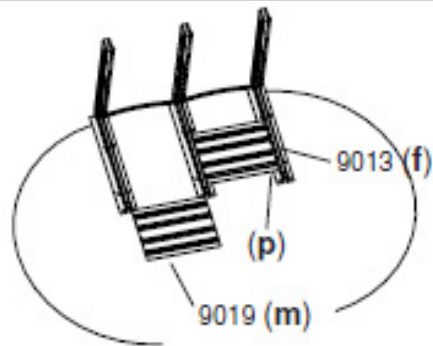
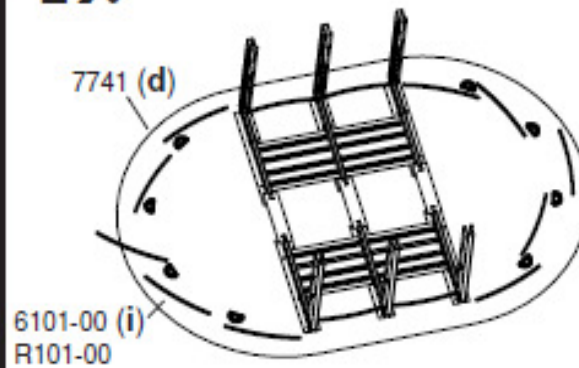
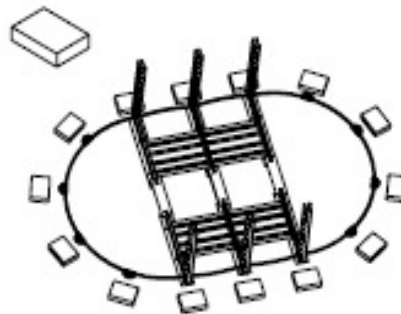
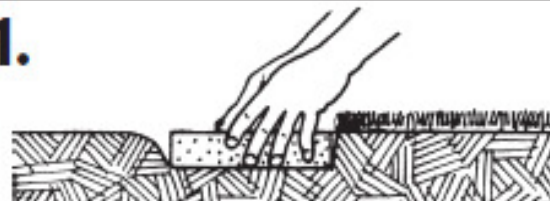
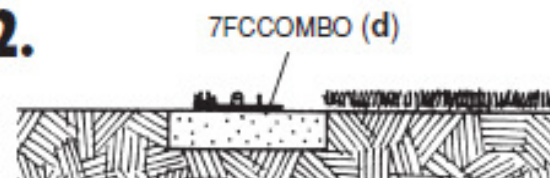
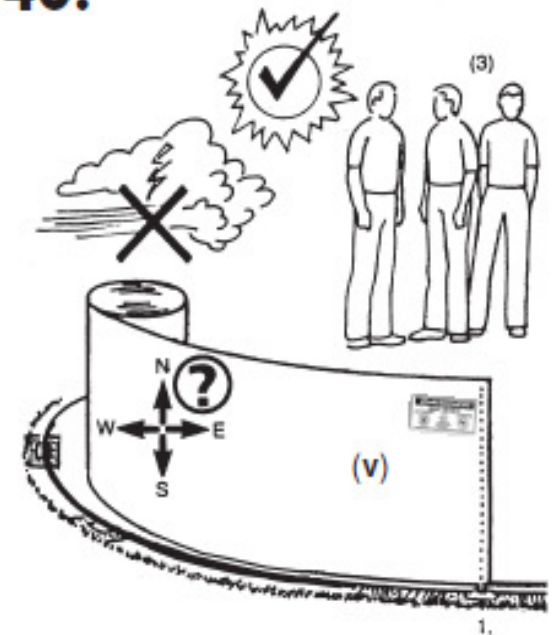
39.



40.

22.

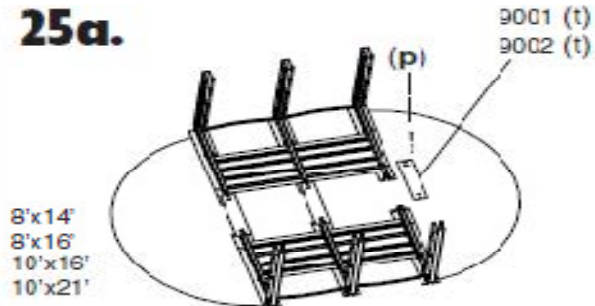
1	- 8' x 14'	(4,20 x 2,40)
	- 10' x 16'	(4,80 x 3,05)
	- 12' x 18'	(5,60 x 3,70)
	- 14' x 20'	(6,10 x 4,30)
2	- 8' x 19'	(5,80 x 2,40)
	- 10' x 21'	(6,40 x 3,05)
	- 12' x 24'	(7,30 x 3,70)
	- 14' x 25'	(7,60 x 4,30)
	- 16' x 26'	(8,00 x 4,90)
3	- 16' x 32'	(9,80 x 4,90)
	- 18' x 33'	(10,00 x 5,50)
4	- 18' x 38'	(11,60 x 5,50)
5	- 18' x 44'	(13,37 x 5,50)

23.**29.****30.****31.****32.****40.****41.**

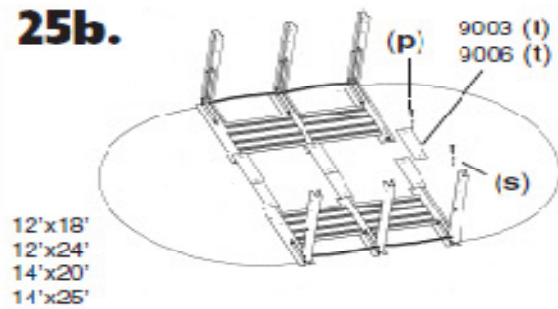
24.



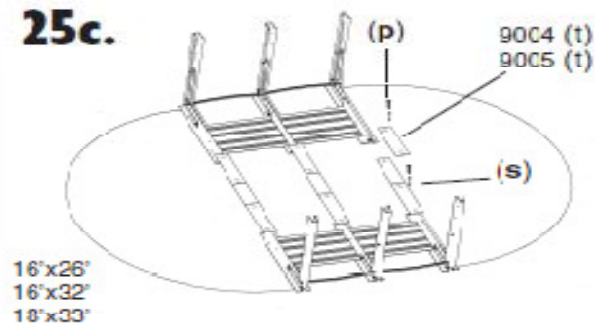
25a.



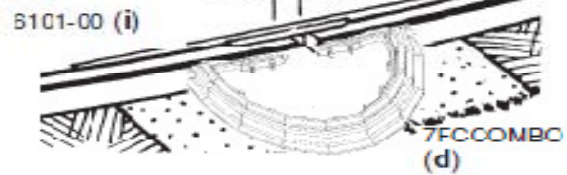
25b.



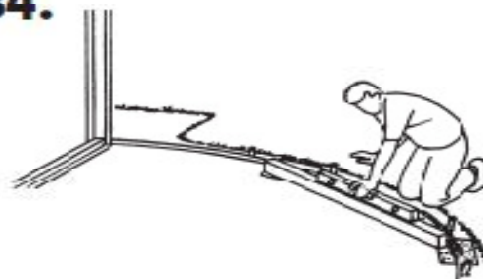
25c.



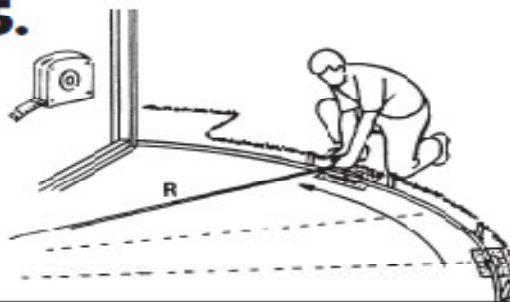
33.



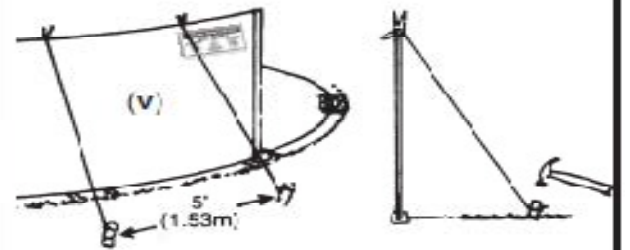
34.



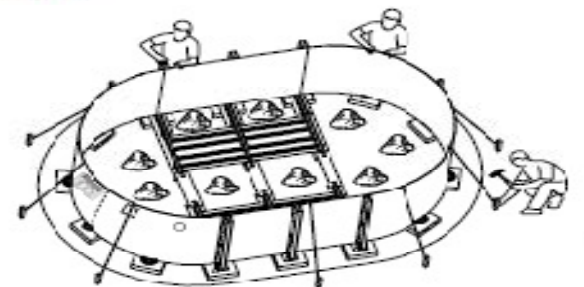
35.



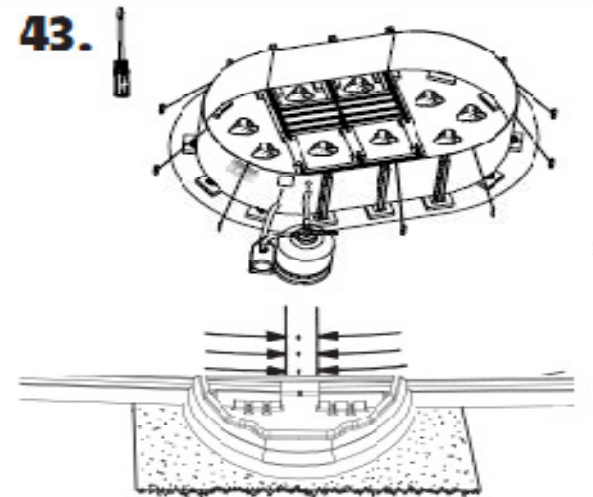
36.



42.

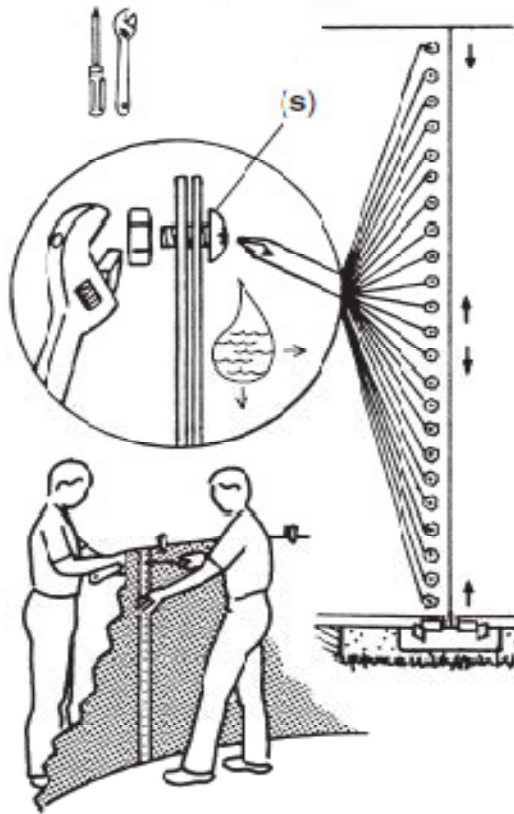


43.

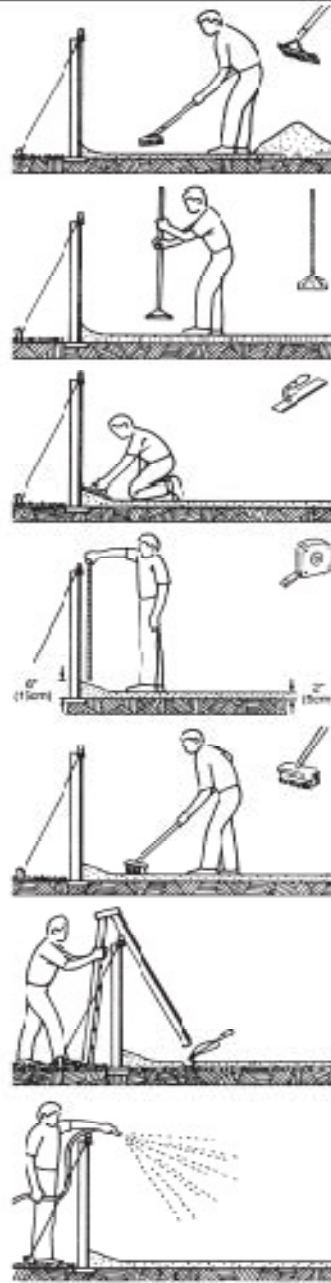


44.

Secure very tight
Bien attaché très tendu
Asegure muy apretado



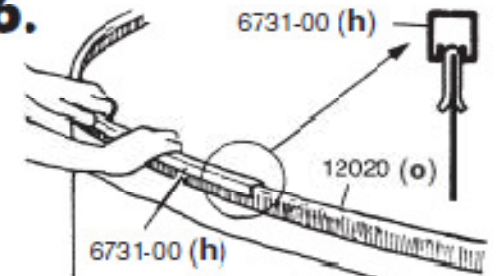
50.



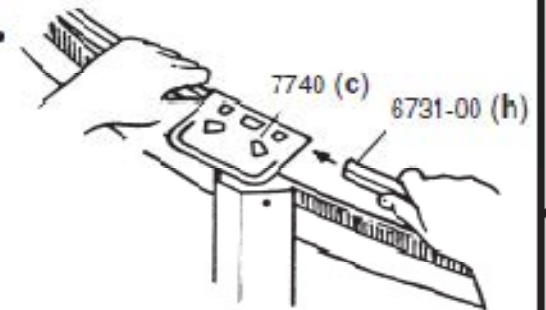
55.



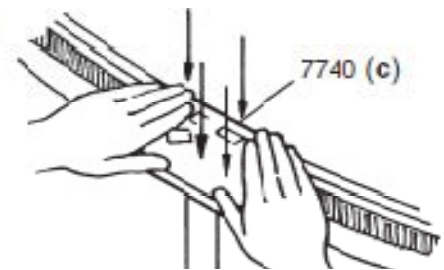
56.



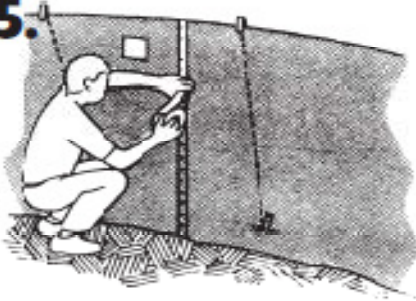
57.



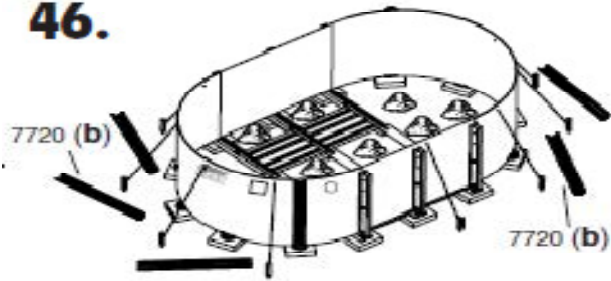
58.



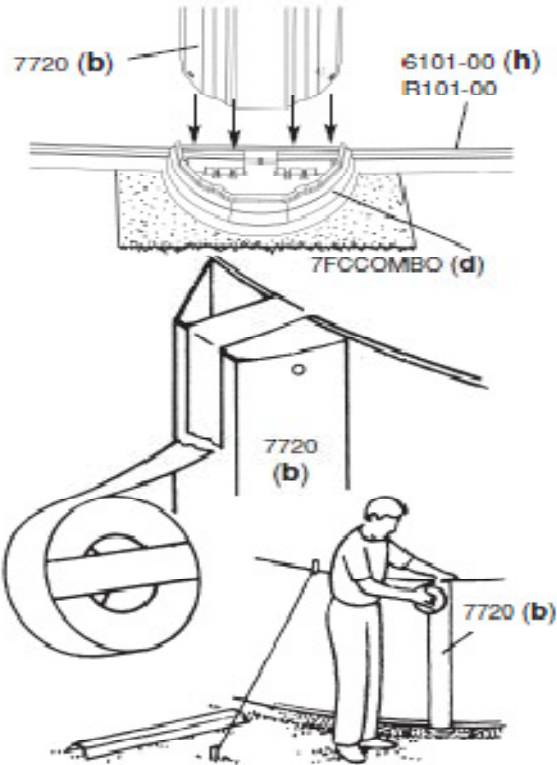
45.



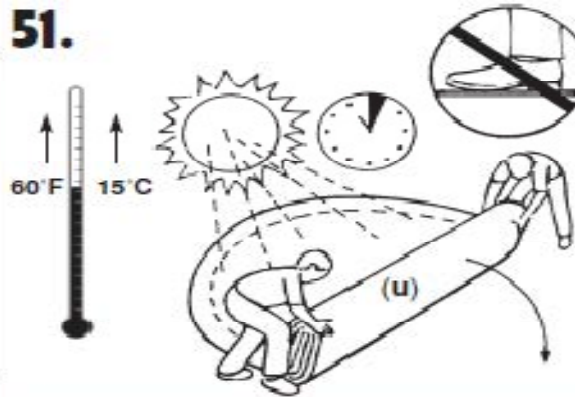
46.



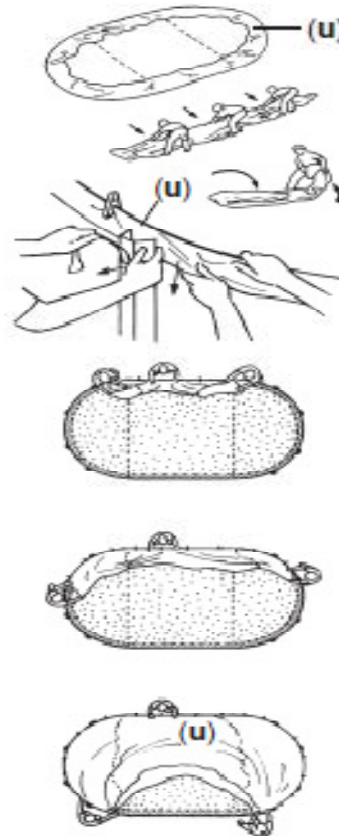
47.



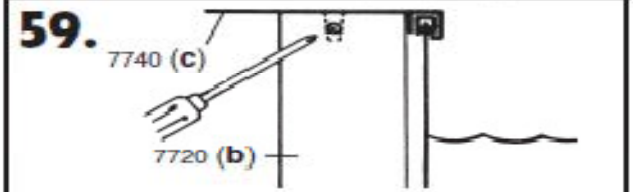
51.



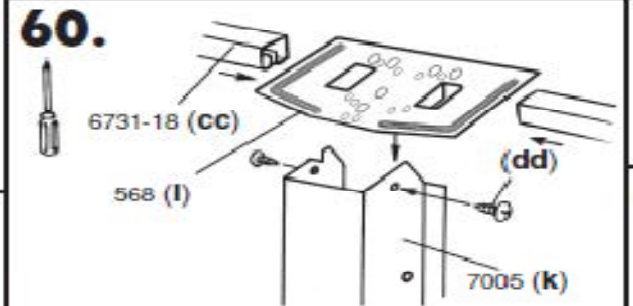
52.



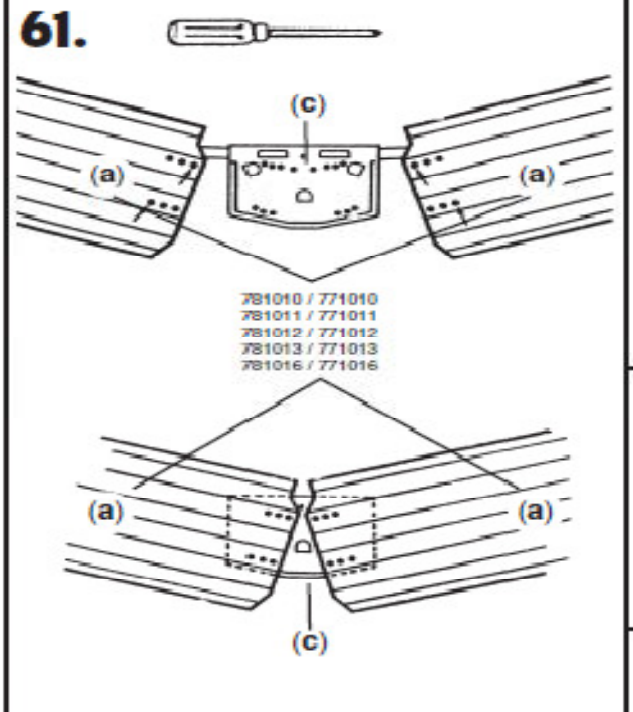
59.



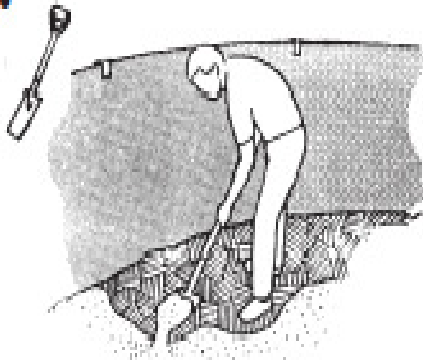
60.



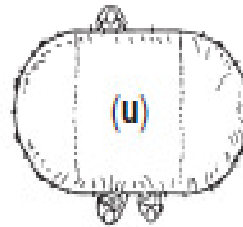
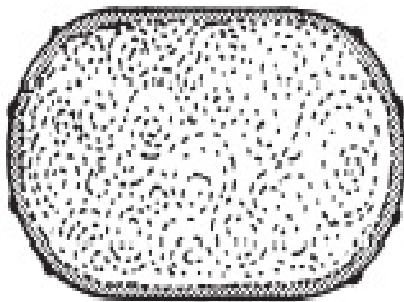
61.



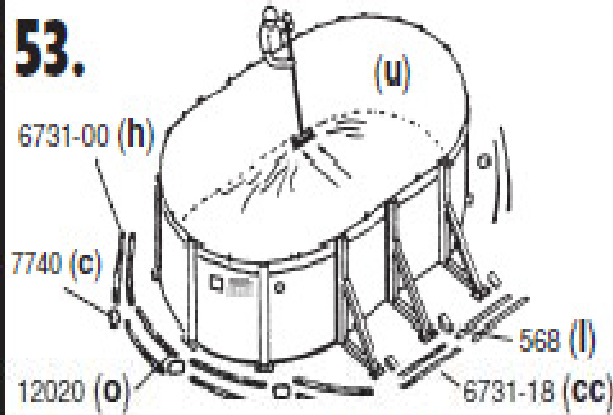
48.



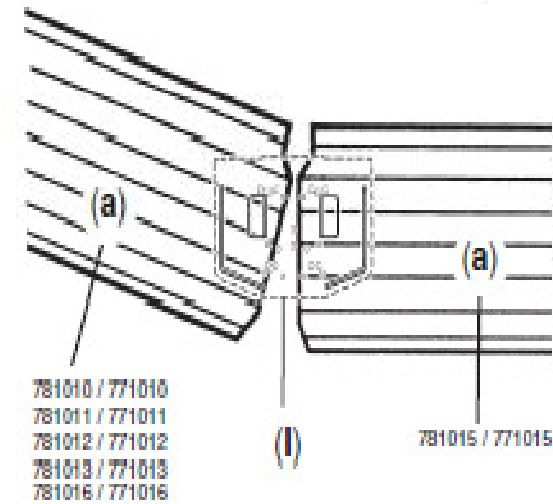
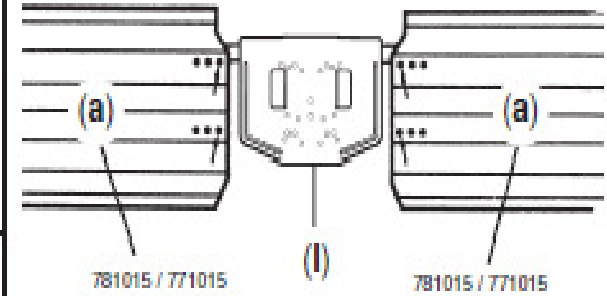
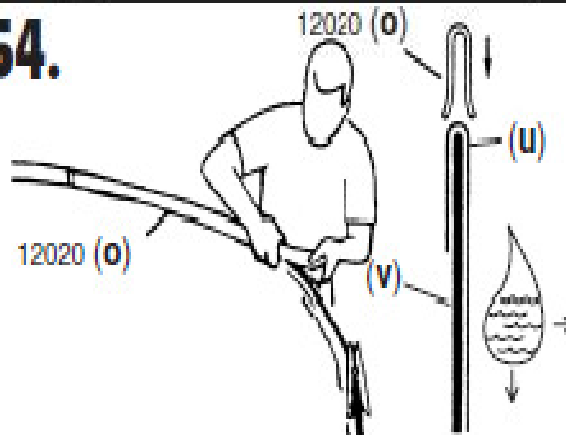
49.



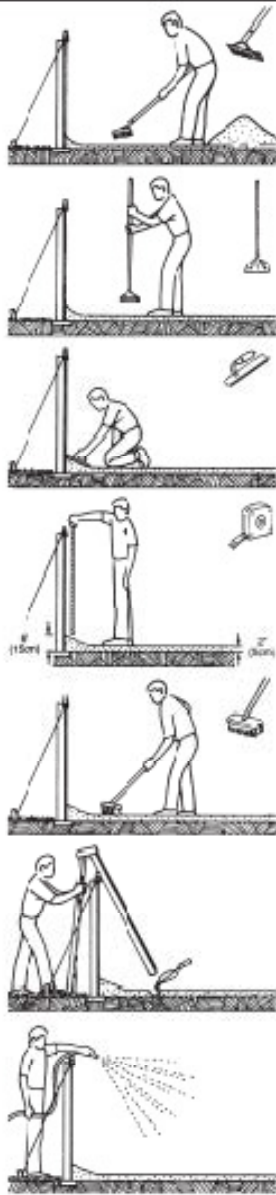
53.



54.



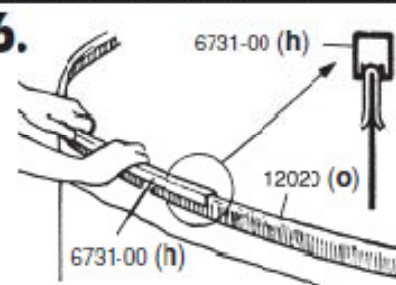
50.



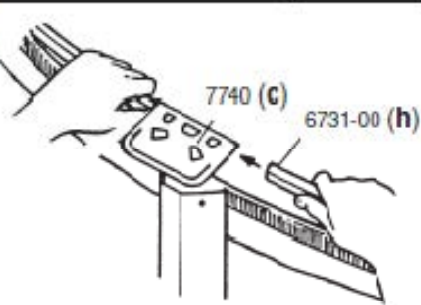
55.



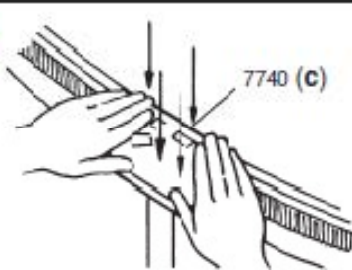
56.



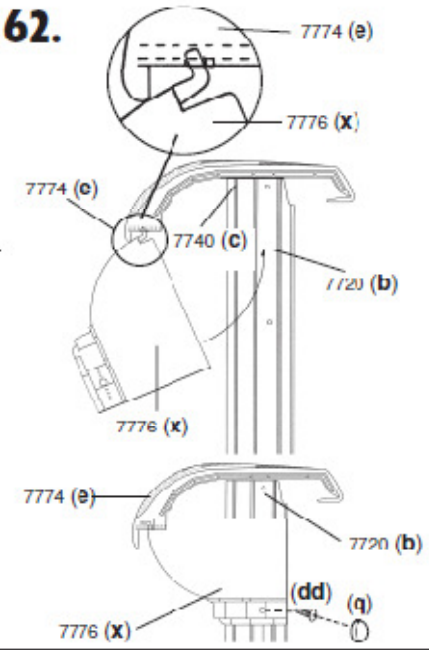
57.



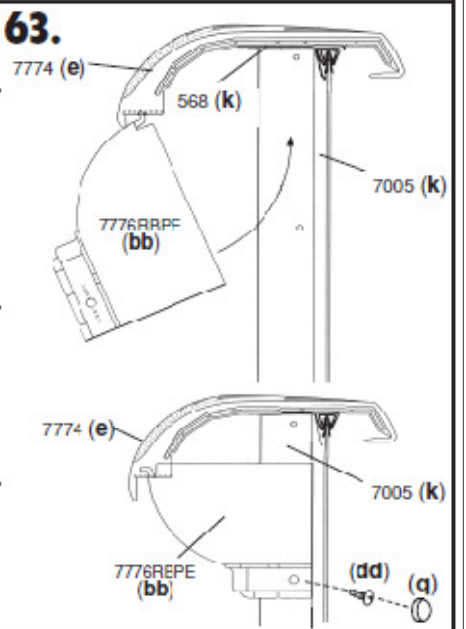
58.



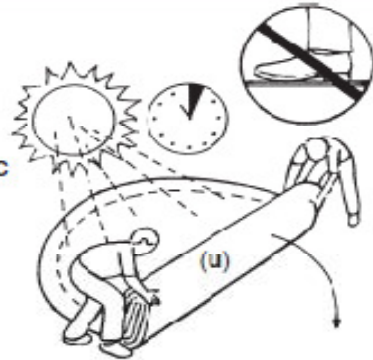
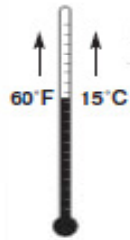
62.



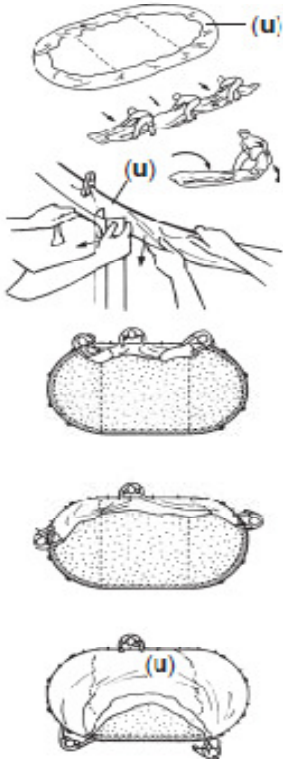
63.



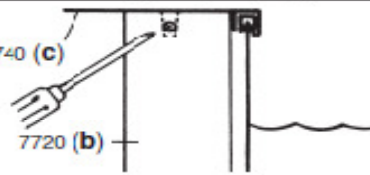
51.



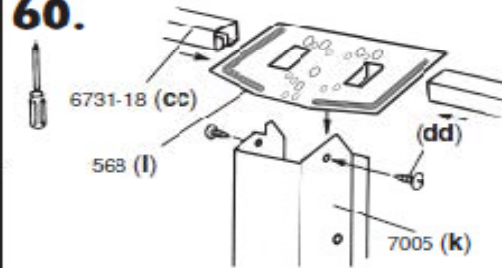
52.



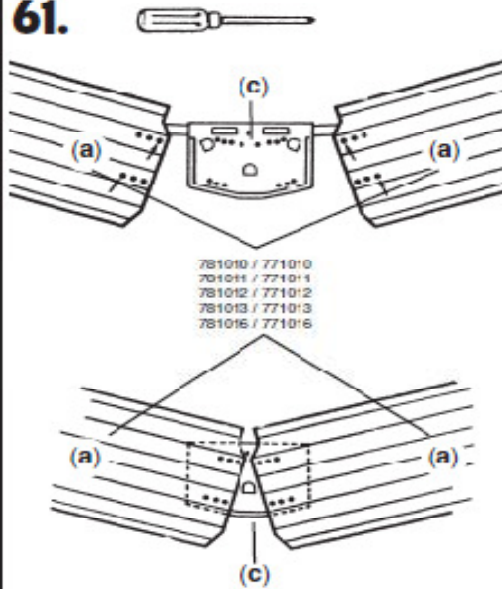
59.



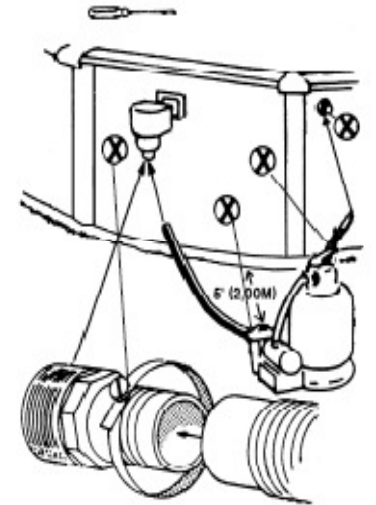
60.



61.



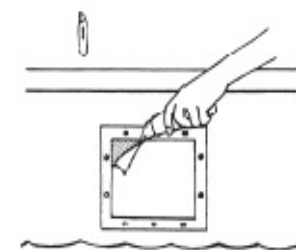
64.

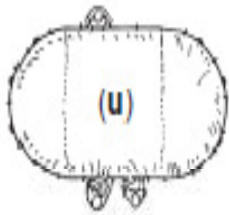


65.

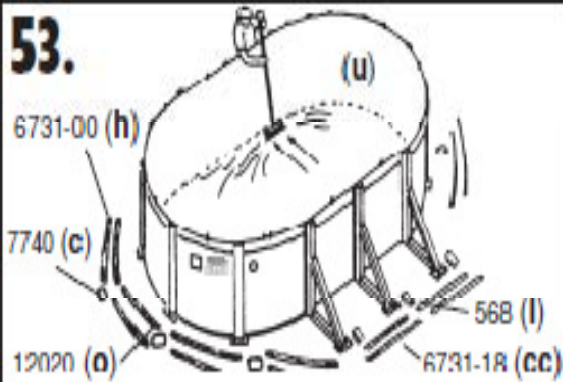


66.

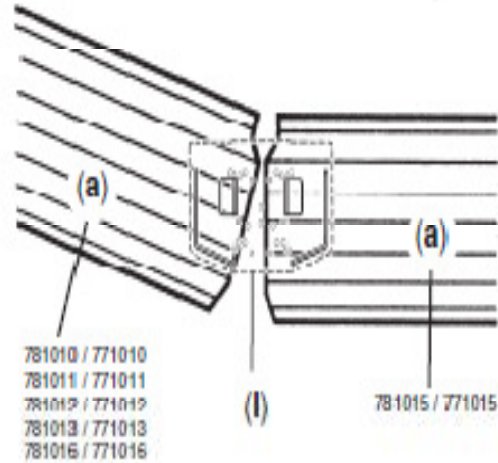
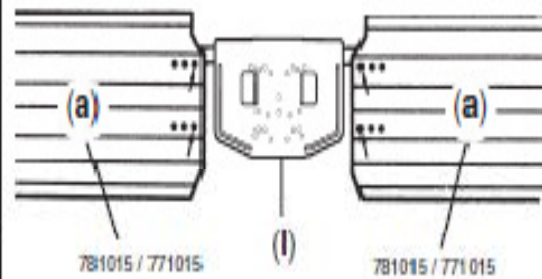
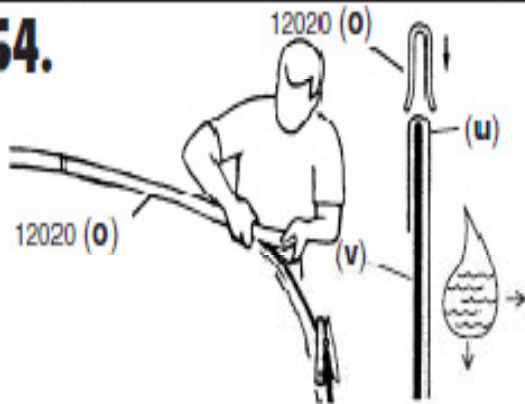




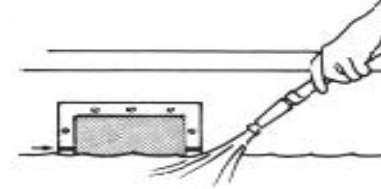
53.



54.



67.



****Note:** The filter/pump and skimmer shown are for illustration purposes only. Actual filtration system type may vary. Follow the manufacturer's instructions for filtration and skimmer hook-up.