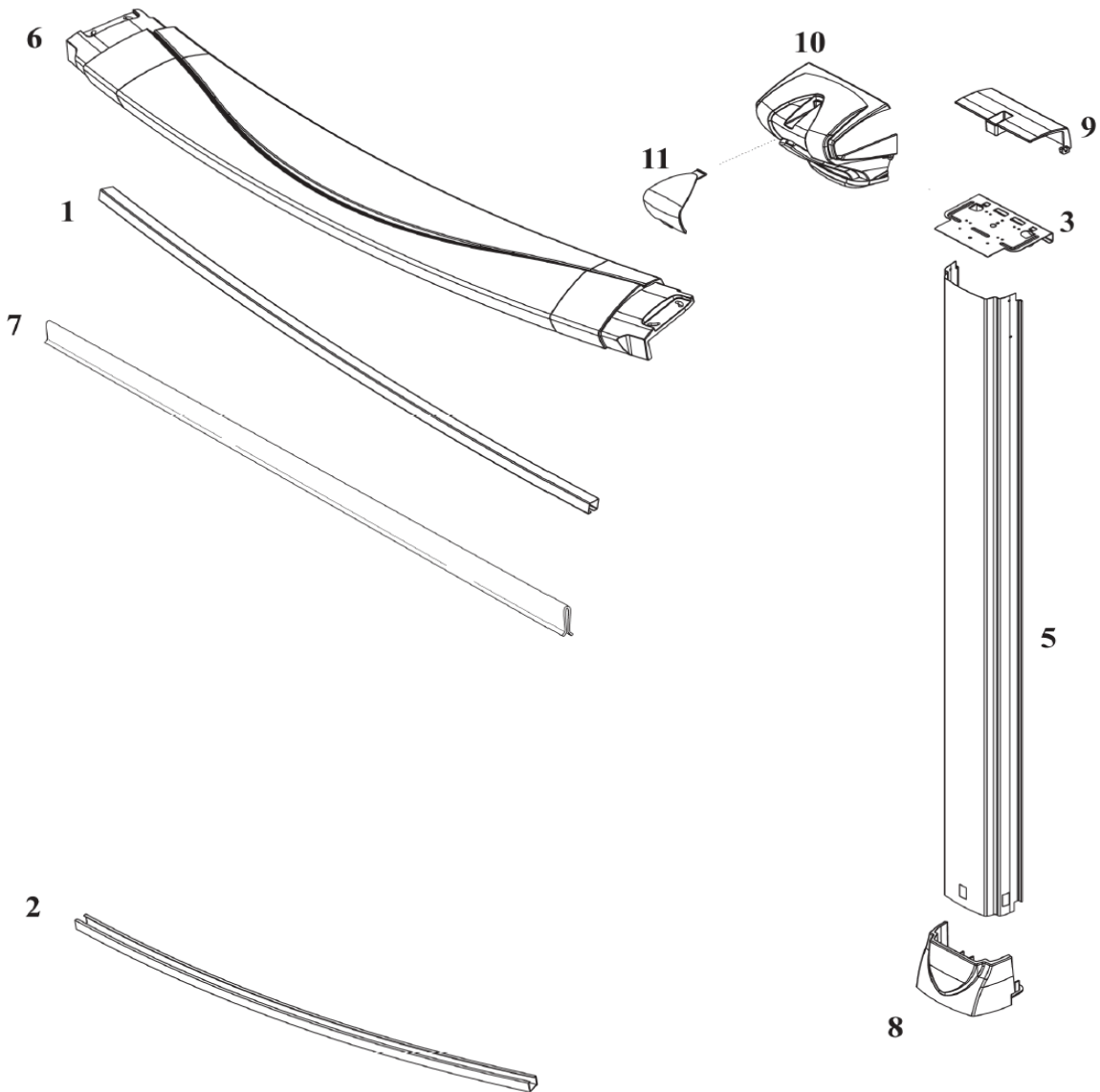


VENTURE 52

PVEN-52RSRSL2

Round



Effective: April 2011

				Quantity Required for Installation (by Pool Size)							
Index #	Description	Part #	Length	15'	18'	21'	24'	27'	30'	33'	
6	Top Rail Curved	35035	57"	10	12	14	16	18	20	22	
5	Upright	34990	51-13/16"	10	12	14	16	18	20	22	
9	Top Cap Inner	34994	7"	10	12	14	16	18	20	22	
10	Top Cap Outer	34992	7"	10	12	14	16	18	20	22	
11	Top Cap Insert	34995		10	12	14	16	18	20	22	
8	Bottom Boot	34991	7"	10	12	14	16	18	20	22	
3	Top Plate	20801	5-1/2"	10	12	14	16	18	20	22	
7	Plastic Coping	10296	48"	12	14	16	19	21	24	25	
1	Inner Stabilizer	38502	53-1/4"	11							
1	Inner Stabilizer	38503	54-1/8"		13						
1	Inner Stabilizer	38505	54-7/16"			15					
1	Inner Stabilizer	38506	52-1/4"				18				
1	Inner Stabilizer	38507	52-7/8"					20			
1	Inner Stabilizer	38509	51-1/4"						23		
1	Inner Stabilizer	38510	53-3/8"							24	
2	Bottom Rail	12312	54-1/4"	10							
2	Bottom Rail	12321	54- 1/4"		12						
2	Bottom Rail	12322	54- 1/4"			14					
2	Bottom Rail	12323	54- 1/4"				16				
2	Bottom Rail	12324	54-1/4"					18			
2	Bottom Rail	12325	54-1/4"						20	22	
*	Hardware	44-10043		1	1						
*	Hardware	44-10044				1	1				
*	Hardware	44-10045						1	1		
*	Hardware	44-10046								1	
*	Hardware	22-10090		1							
*	Hardware	22-10074			1						
*	Hardware	22-10091				1					
*	Hardware	22-10075					1				
*	Hardware	22-10096						1			
*	Hardware	22-10097							1		
*	Hardware	22-10098								1	
	Envelope Safety Stickers	95-0007		1	1	1	1	1	1	1	
	Instructional DVD	36878		1	1	1	1	1	1	1	

* May not be pictured