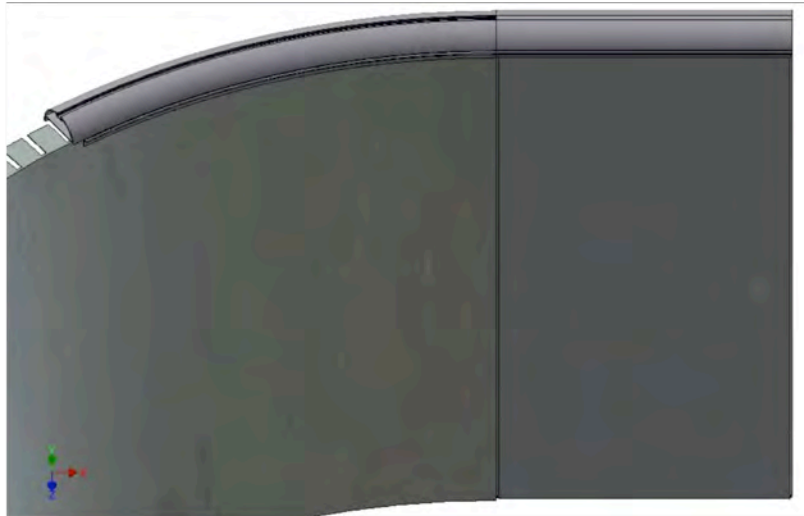


# hydrosphere SERIES

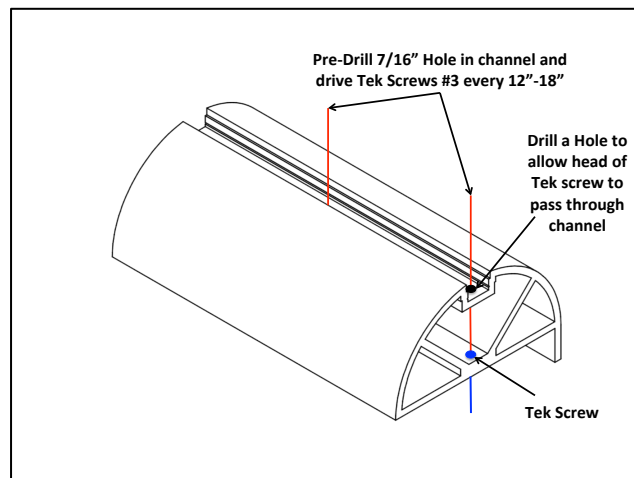
*Semi-Inground Pool by Doughboy*



## Installing the Optional Top Rail:



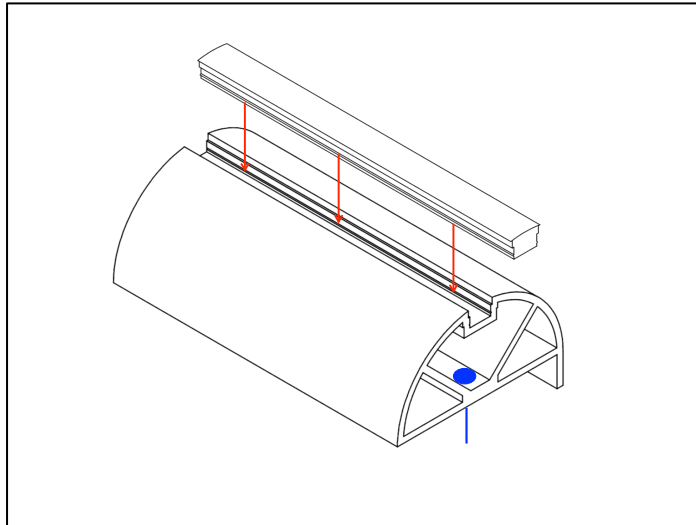
- Regardless if using the standard top rail or the deck mount top rail, the top rail will come in 8' sections. It will be installed on the top flange of the pool walls. This will conceal the top of the pool wall, skirting panels, and T strips all the way around the pool.
- The top rail is secured to the top of the panels using self-tapping screws #3 approximately every 12" - 18" around the pool. (See Below)



- Pre-drill a 7/16" hole through the top of the top rail in the center of the channel while being careful not to drill through the bottom of the top rail. This will allow the head of the screw to pass through the channel.
- You will continue around the perimeter of the pool in this fashion until the entire perimeter is covered with the top rail. (You may need to cut excess off to fit)
- When installing the top rail on a Grecian shaped pool it is ideal to start with the 45-degree corners of the pool.
- The top rail is flexible enough to bend around the 45-degree corner with ease.
- Secure one side of the 45-degree corner down using a tek screw as close to the corner as possible. Next secure the top rail just on the other side of the corner as close to the corner as possible.
- From there move out from the corner 12" to 18" and secure the top rail down.
- Repeat this process at every 45-degree corner.
- Another option would be to make 45-degree cuts on the ends of two pieces of top rail and butt them up together in the corner. (Keep in mind that there are no 45-degree top rail clips to conceal the joints in the corners)
- Once all of the corners are secure you can begin installing the straight sections of top rail between the corners. (You will need to cut off any excess top rail)
- Once the top rail is secured to the top of the pool walls, the top rail insert can be installed to hide the channel containing the screws.

## Installing the Top Rail Insert:

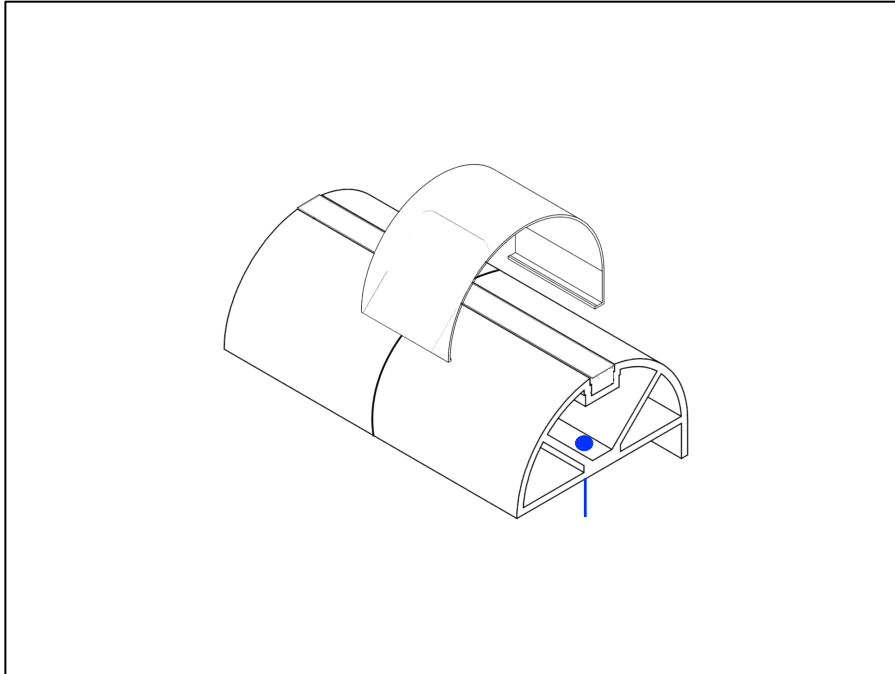
- Once all top rail sections are installed you will need to install the top rail insert.
- You will need to apply the Funmastic Adhesive (#23) prior to installing the top rail insert.
- Simply apply a bead of the adhesive in the center of the insert channel around the entire perimeter of the pool walls.
- This adhesive will become tacky and help to keep a secure hold of the top rail insert piece.
- Once the bead is applied in the insert channel you can begin installing the top rail insert.
- The top rail insert will come in rolls containing the needed amount based on the size of pool that is ordered.
- This will sit flush in the channel of the top rail, which will effectively conceal the channel and tek screws contained with in it. (See Image Below)



- The top rail insert simply snaps into place when adequate pressure is applied. (A rubber mallet may help to snap the insert into place)
- A good way to hide the joints of the top rail insert is to line the joints of the top rail insert up with the joints on the top rail itself. (You will be installing top rail clips over the joints in the next step which will conceal the joints)
- You may need to cut the last piece of top rail insert to fit.
- Once all the top rail insert pieces are installed you are ready to install the top rail clips.

## Installing the Top Rail Clips:

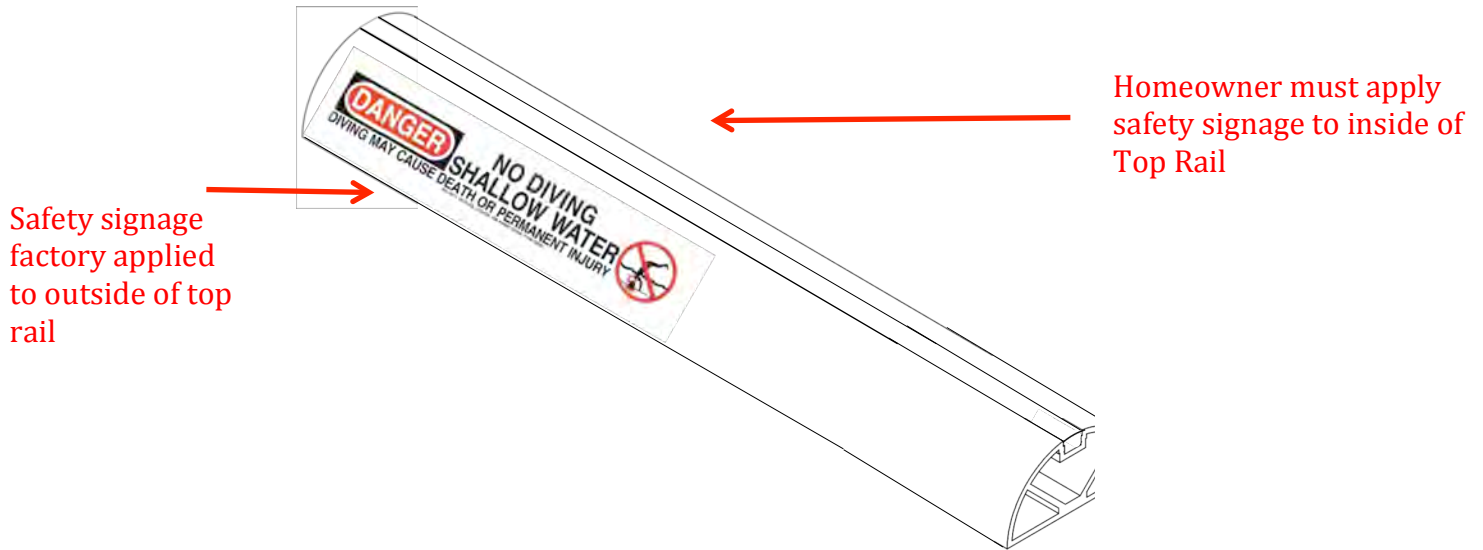
- As mentioned above, the top rail clips are designed to conceal the joints in the top rail pieces. (See image below)



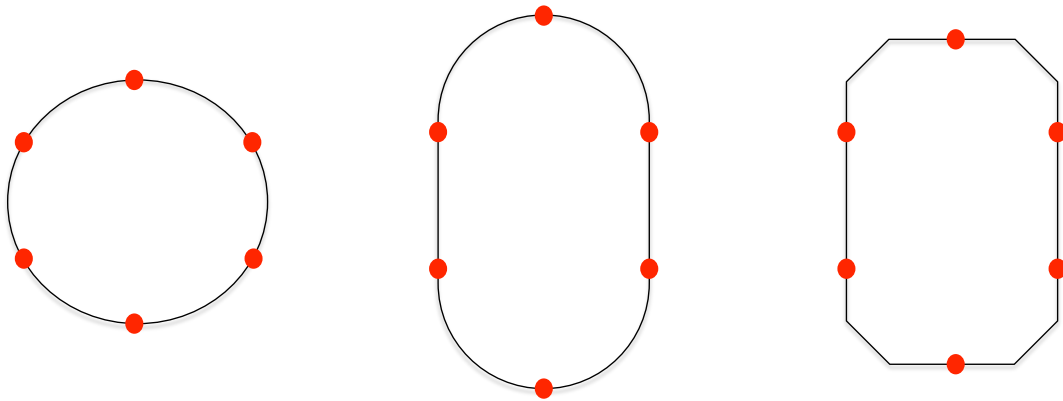
- The top rail clips will be secured to the top rail using the provided adhesive (#21). You will use apply the adhesive on the back of each top rail clip.
- If standing inside the pool, you will hook the backside of the clip on the backside of the top rail and then push the front of the clip down until it snaps into place. The adhesive will help to secure the clip to the top rail.
- Be sure to center the clip on the joint. The goal here is to make sure that the joint in the top rail is directly underneath the center of the clip.
- You will repeat this process at every top rail joint around the pool.
- When all clips are installed you are ready to install the mandatory safety signage.

## Installing the Mandatory Safety Signage:

- For your convenience and safety, No Diving Stickers have been factory applied to the outside section of each top rail.
- Additional safety stickers are provided with every pool kit and must be installed on the inside of the top rail for the pool by the homeowner or installer.



- Each safety signage pack will come with 14 of these top rail safety signs. These should be distributed evenly around the perimeter of the pool. (See images below for recommended safety signage placement for each shape of pool)



\*Please note that some signage is applied in the factory, however it is your responsibility to apply additional signage as noted.