

# POOL BREAKDOWN

## PRISTINE BAY 33' x 18' OVAL 48" COMPAC SUPPORT STEEL TOP RAIL - STEEL VERTICAL

√	QTY	CARTON NUMBER	CARTON DESCRIPTION
	1	5-9938-101	ASSEMBLY PACK CARTON
	1	5-9718-505	VERTICAL PACK CARTON
	1	5-0596-038	SIDEWALL CARTON
	2	5-8888-204	SUPPORT BASE CARTON
	2	5-8848-400	SIDE SUPPORT CARTON



# CARTON BREAKDOWN

✓	ITEM	QTY	PART NUMBER	DESCRIPTION
<b>ASSEMBLY PACK # 5-9938-101</b>				
	1	43	545-1001	Plastic coping
	2	14	580-2379	Vertical end cap
	3	10	583-1012	Stabilizer Rail (Small)
	4	16	583-1011	Stabilizer Rail (Large)
	5	12	589-1136	Bottom rail
	5b	4	589-1303	Bottom rail - stamped TR-18 M
	6	6	589-1052	Bottom rail - stamped S
	7	22	340-2748	Top connector
	8	174	330-1127	Sheet metal screw, #10 x 1/2"
	8a	14	510-1036	#10 x 1/2" Phillips Pan HD screw
	9	14	580-1344	Bottom connector
	14	18	587-1350	Top Rail
	14c	4	587-1809	Top Rail - transition - 39"
	15	8	580-1949	Side vertical end cap
	15a	22	340-2749	Vertical skirt
	15b	8	510-1001	#10 x 1-1/2" screw
	—	1	573-4132	Pool Parts List
	—	1	573-4067	Installation Instructions
	—	1	— — —	Warranty Card
	—	1	573-3169	"Safety First" Booklet

<b>VERTICAL PACK # 5-9718-505</b>				
	16	14	580-1945	Vertical

<b>SIDEWALL CARTON # 5-0596-038</b>				
	17	1	5-0596-038	Sidewall
	20	25	321-1029	1/4-20 Hex Flange Locknut
	21	25	330-1280	1/4-20 x 1/2" Grade 5 Bolt
	22	1	535-1442	Protective strip
	—	1	560-1055	Warning Sign
	—	1	573-3169	"Safety First" Booklet
	—	1	573-3498	Safety DVD

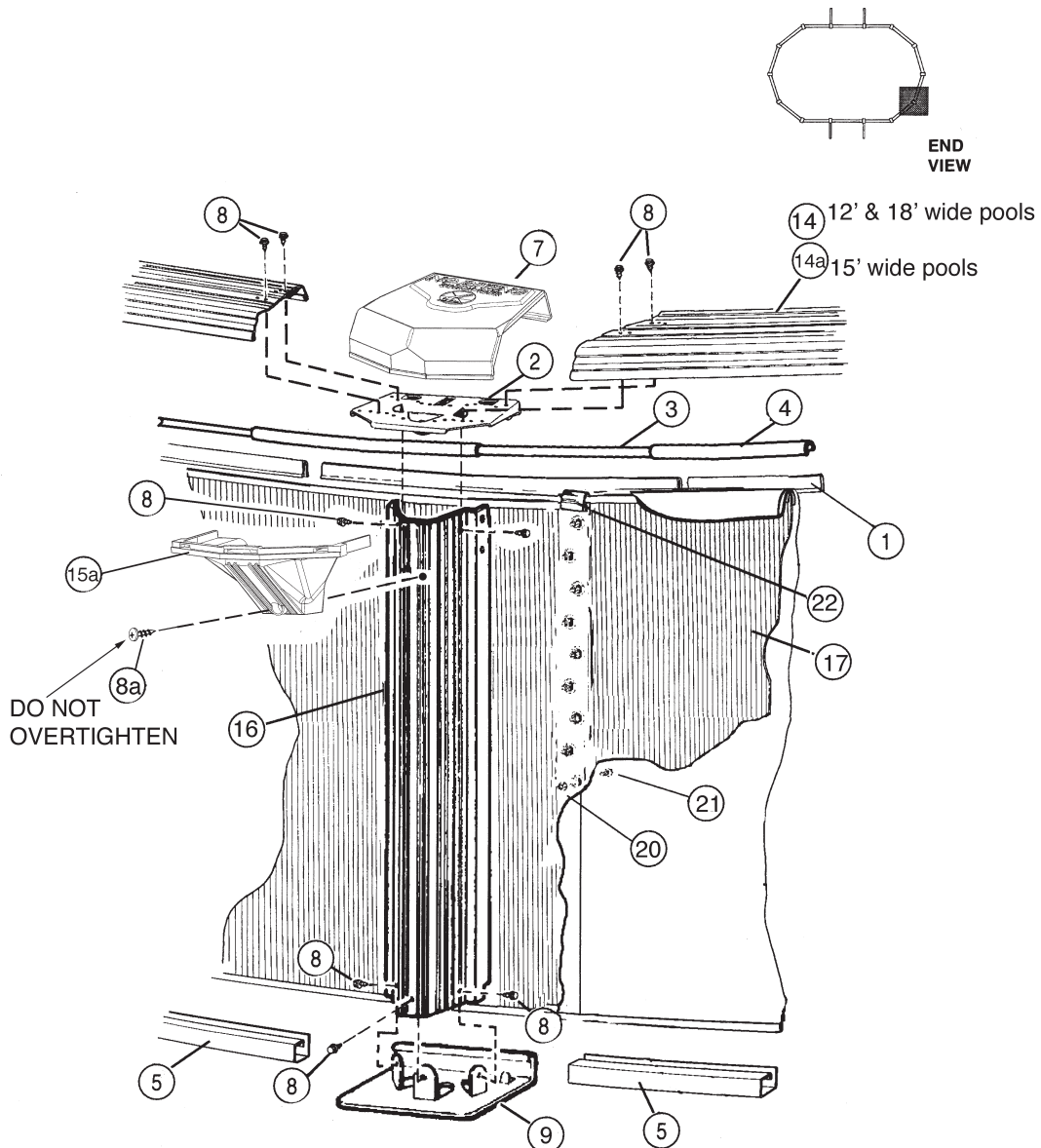
**SUPPORT BASE PACK # 5-8888-204 (2 Required)**

24	8	580-1779	Skid support
25	8	580-2071	Ground support - top
26	8	580-2072	Ground support - bottom
27	8	580-1869	Pressure pad
28	8	580-1870	Pressure pad
29	8	580-1792	Btm rail locator & cover
30	48	510-1035	#12x3/4" hex washer head screw
31	32	330-1220	3/8"-16 x 3-1/2" hex head bolt
32	32	321-1069	3/8-16 hex nut
33	32	510-1018	1/4-20 x 1/2" hex head bolt - grade 5
34	32	511-1000	1/4-20 hex nut
35	48	330-1127	Sheet metal screw, #10 x 1/2"

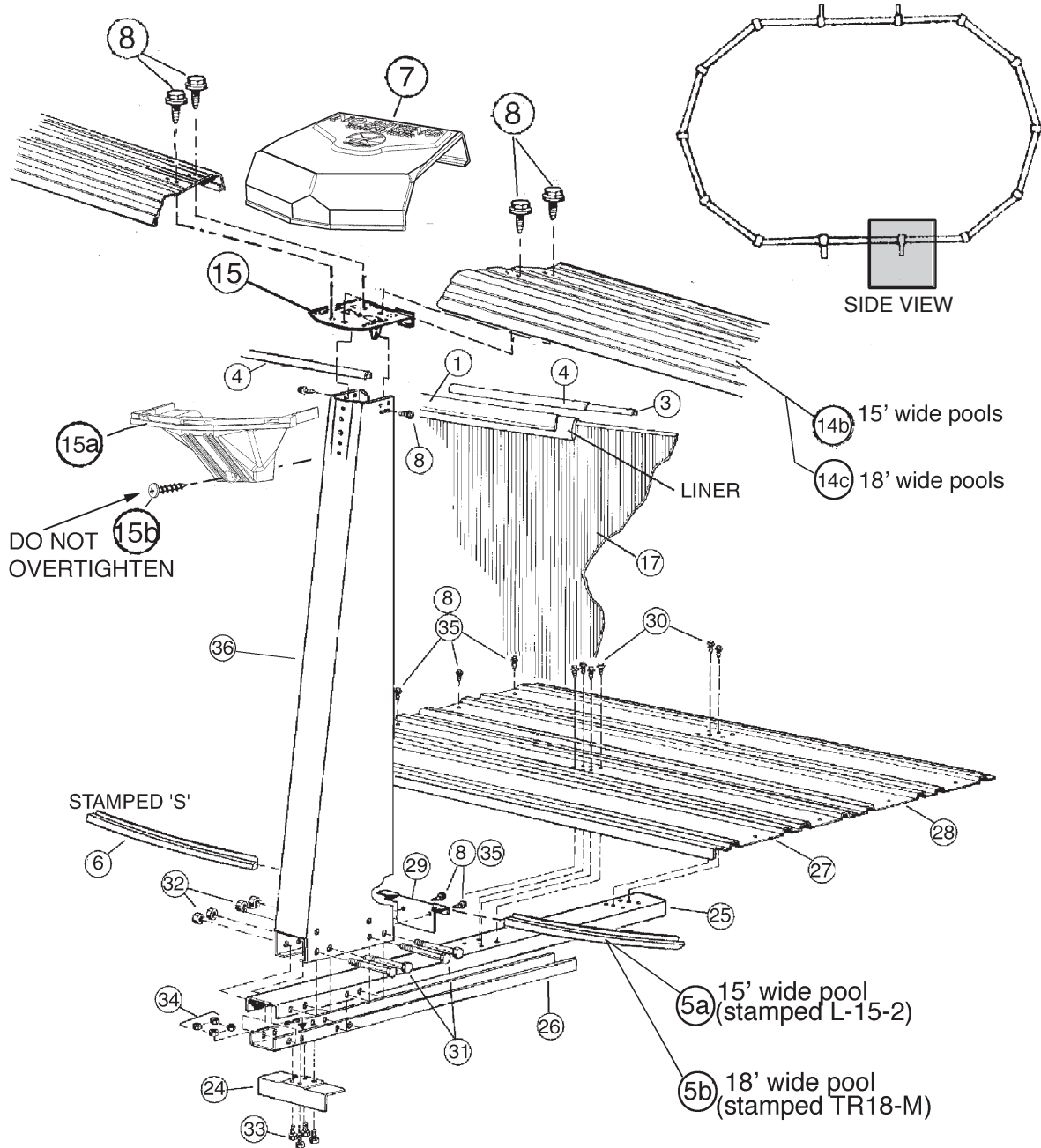
**SIDE SUPPORT PACK # 5-8848-400 (2 Required)**

36	8	580-2138	Side support
----	---	----------	--------------

**EXPLODED PARTS VIEW**



# EXPLODED PARTS VIEW



**Important!** Above-ground pools are designed for swimming and wading only. Do not Dive or Jump! Misuse of your pool may result in crippling injury and/or other dangers to life and health. Do not use slides, diving boards, or any other platform or object which can be used for improper pool entry. Use only an above-ground swimming pool ladder or entry system to enter or exit your pool. Never attempt to swim or reach behind ladders or any other pool entry system. It is the pool owner's responsibility to secure the pool against unauthorized, unsupervised or unintentional entry. It is also the pool owner's responsibility to warn all pool users of the hazards of diving into shallow water: paralyzing injury may result. Always obey all safety rules. Remember, pool safety is everybody's responsibility.

Safety decals and caution information provided with your pool have been endorsed by the U.S. Consumer Product Safety Commission. It is mandatory that the pool owner and installer follow the installation and use directions for all provided safety signs and decals. Juveniles must be supervised at all times by a responsible adult as directed by the USCPSC.

Change of Design: The manufacturer (HII) expressly reserves the right to change or modify the design and construction of any product in due course of their manufacturing procedures, without incurring any obligation to furnish or install such changes or modifications on products previously or subsequently sold.