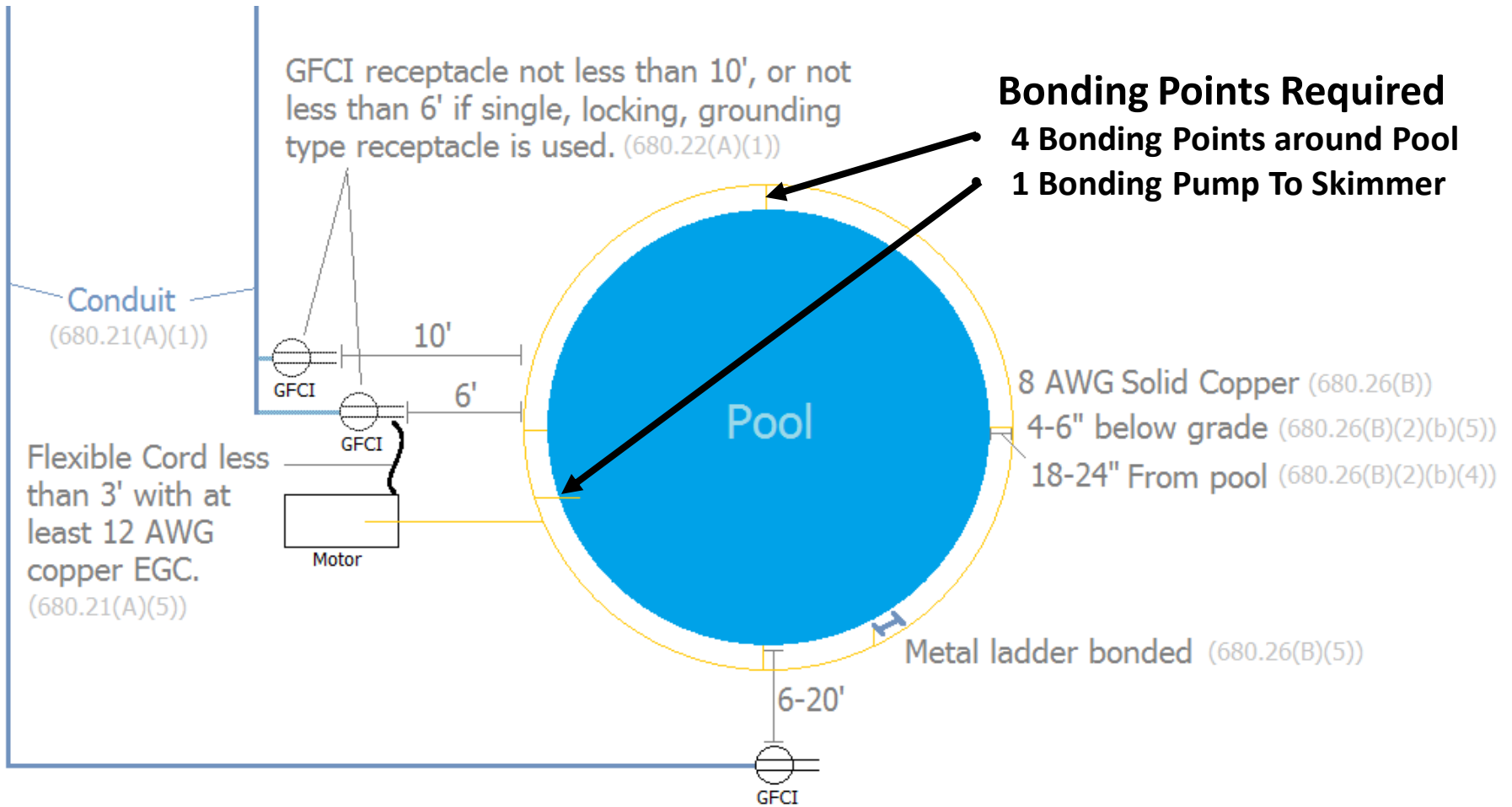




WEST HELENA AR

APRIL 2018



GFCI receptacle not less than 10', or not less than 6' if single, locking, grounding type receptacle is used. (680.22(A)(1))

**Bonding Points Required**  
**4 Bonding Points around Pool**  
**1 Bonding Pump To Skimmer**

Conduit (680.21(A)(1))

Flexible Cord less than 3' with at least 12 AWG copper EGC. (680.21(A)(5))

8 AWG Solid Copper (680.26(B))  
 4-6" below grade (680.26(B)(2)(b)(5))  
 18-24" From pool (680.26(B)(2)(b)(4))

Metal ladder bonded (680.26(B)(5))

125 volt 15- or 20-ampere receptacle on general purpose branch circuit. more than 6', and less than 20' from inside wall of pool. Must be GFCI protected. (680.22(A)(3))

# Recommendations for Sunken Pool



Recommended area for bonding ground.  
This will bond pool and retain manufacturers warranty.



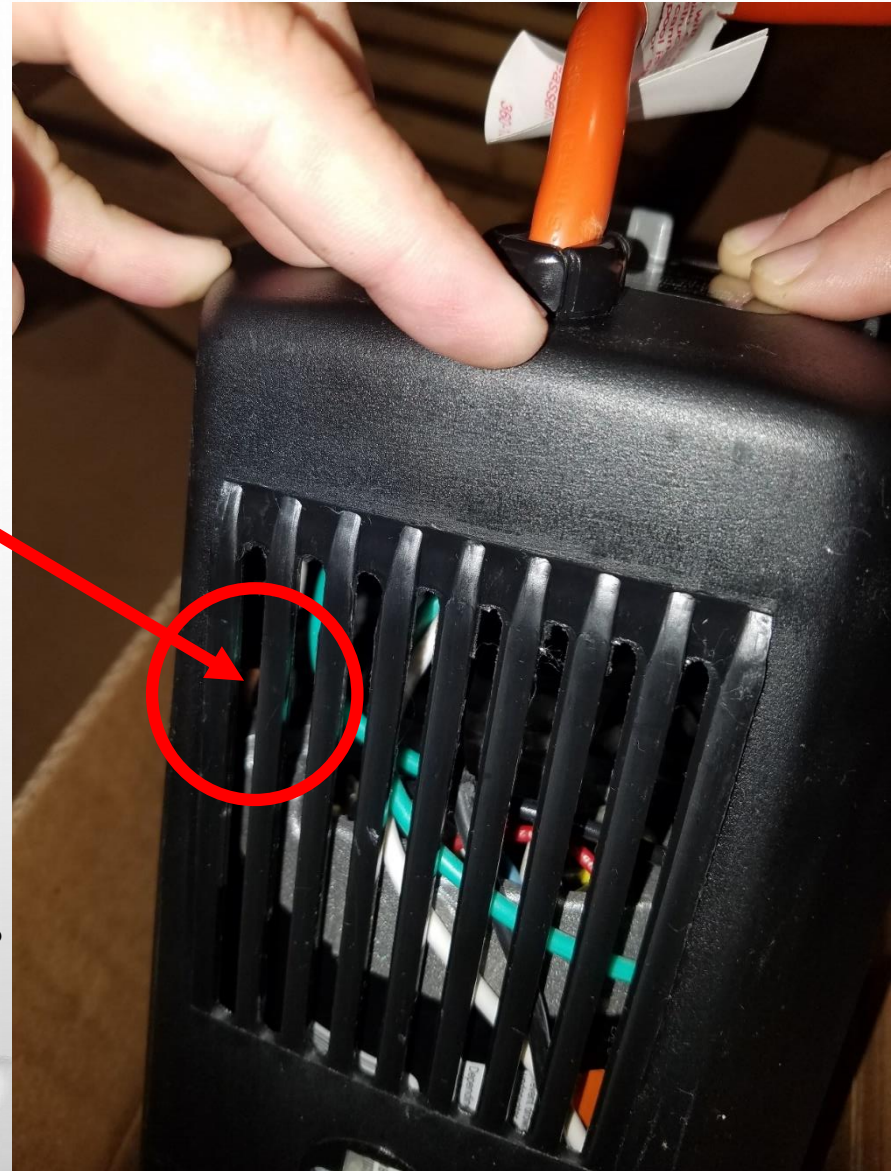
Grounding Lug





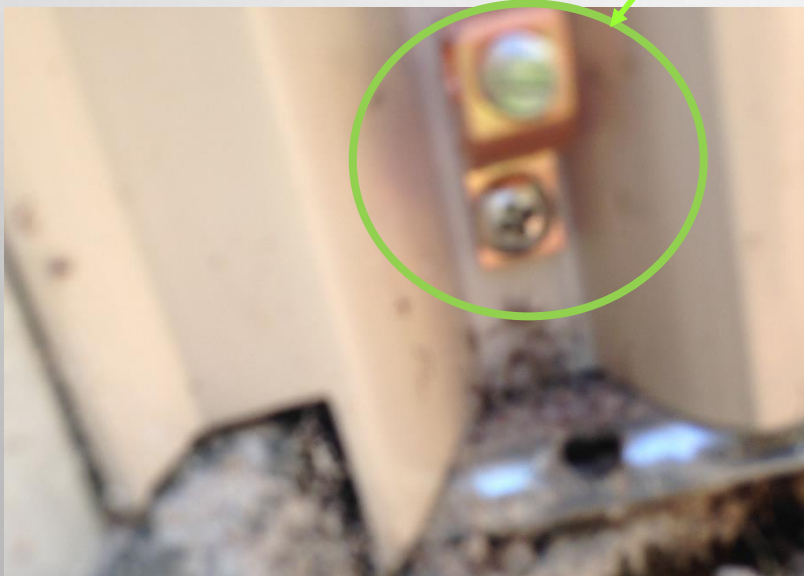
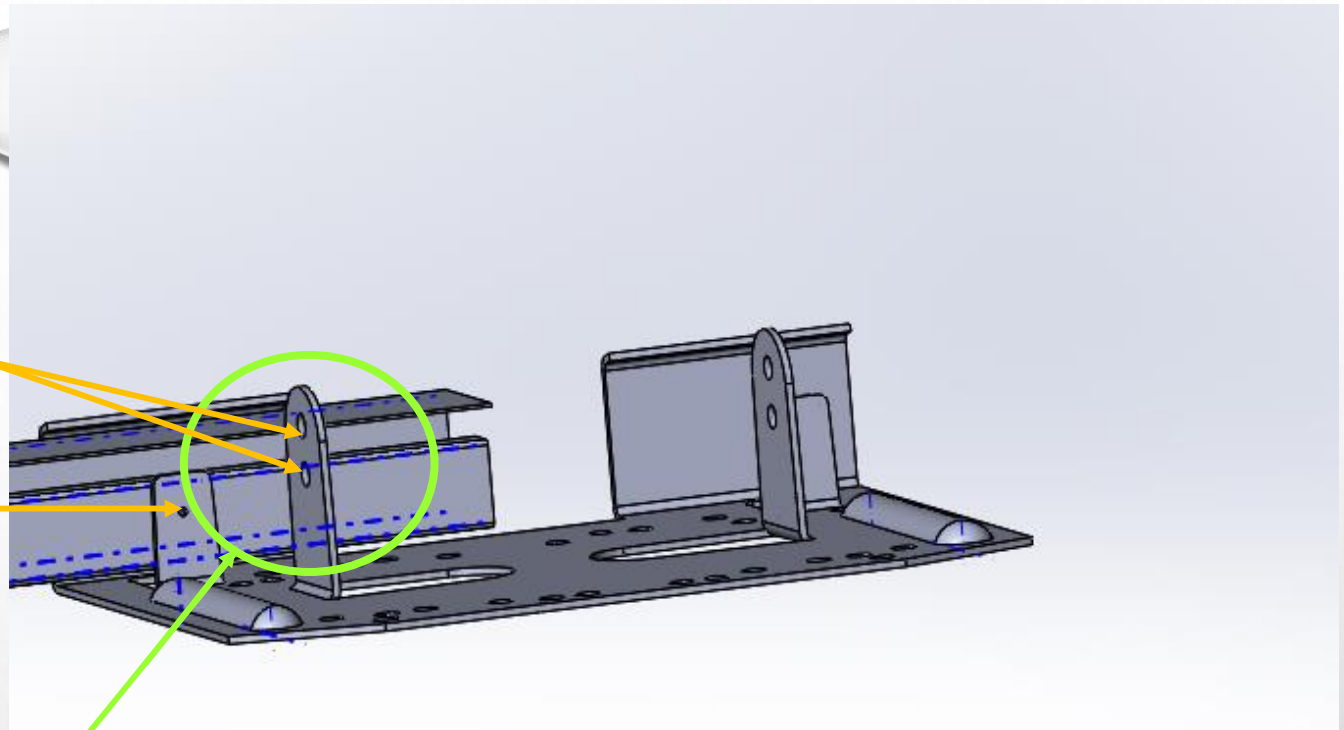
In order to Ground:  
1) The housing needs to be pulled.  
2) The wire can be inserted through the vent to attach to the lug.  
3) Reassemble the motor housing.

Option:  
Ask local code if using the 25' cord with GFCI plug would be to code?  
p/n 1-2364-570  
p/n 1-2365-570  
p/n 1-2366-570

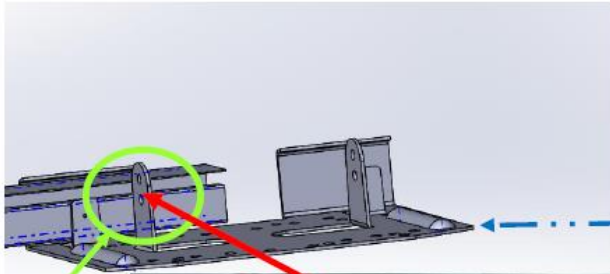




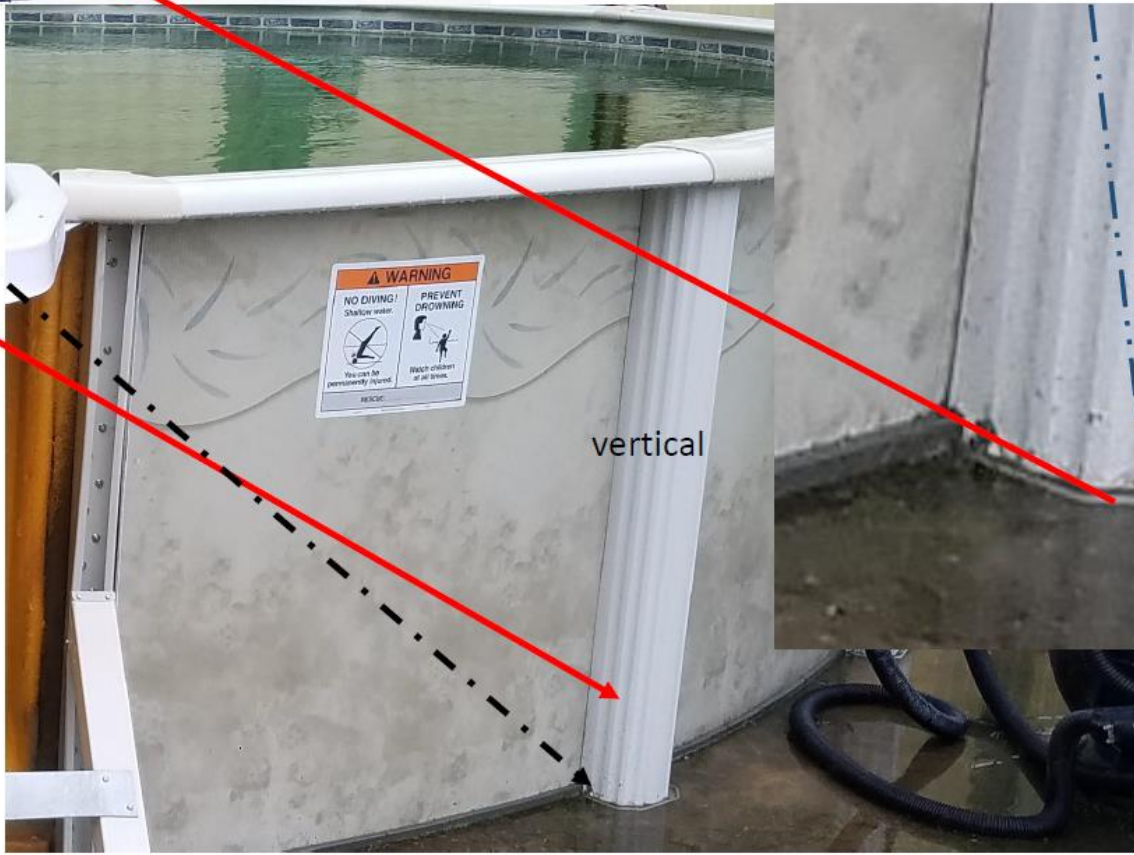
Recommended areas for bonding ground. Any of the 3 will bond pool and retain manufacturers warranty.



vertical



This are different vertical end caps, but in the same location.



vertical

