

SUMMER WAVES™ ROUND FRAME SWIMMING POOL OWNER'S MANUAL

To order parts, accessories, or answers to frequently asked questions about your product please visit
WWW.POLYGROUP.COM Customer Service: (888) 919-0070

DISTRIBUTED BY: POLYGROUP LIMITED (MCO)
 Avenida Xian Xing Hai, Centro Golden Dragon, 11 Andar M, Macau



System Info Label



Check out our
ONLINE SET UP VIDEO!

www.polygroup.com/setup/frame/home

WARNING: DO NOT overfill the pool and / or allow people to lay over or sit on pool wall- DOING SO CAN CAUSE PERMANENT INJURY!
 DRAIN pool to the proper level after a heavy rain.
NOTE: DO NOT attempt to assemble this pool in adverse weather conditions, windy conditions or when the temperature is below 60°F.
NOTE: This is a storable pool, which should be disassembled and stored when temperatures are expected to fall below 32°F.

SAFETY INFORMATION _____ 2
 CONSUMER AWARENESS BOOKLETS _____ 3
 1. SITE PREPARATION _____ 4
 2. POOL INSTALLATION _____ 4
 3. DISASSEMBLY AND STORAGE _____ 6
 POOL COVER SAFETY _____ 7

LIMITED WARRANTY

Polygroup Limited (Macao Commercial Offshore), (hereinafter "Polygroup") warrants to the original purchaser only, the Summer Waves™ Metal Frame Pool (frame and liner) against defects in material and workmanship for 90 days from the date of purchase. Original Purchaser must retain proof of such purchase in the form of an original store sales receipt and must produce such upon request by Polygroup or its designated agents. Warranty claims cannot be processed without a valid proof of purchase.

This Limited Warranty applies only to the original purchaser of the product and is limited solely to the repair or replacement of the product, to be decided in Polygroup's sole discretion. Consequential damages, including claims for loss of water, pool chemicals, damage, or labor are not covered under this Limited Warranty.

This Warranty will be declared invalid should the Purchaser modify or repair the product themselves or by unauthorized persons; use non-Polygroup parts or accessories with the product; use the product in contravention of the Manufacturers Instructions; use improper voltage; abuse the product in any way; or through accident or negligence. Normal wear-and-tear is not covered under this Warranty, nor are acts of God outside the control of Polygroup.

IN NO EVENT SHALL POLYGROUP, THEIR AUTHORIZED AGENTS, RELATED ENTITIES, OR EMPLOYEES BE LIABLE TO THE BUYER OR ANY OTHER PARTY FOR DIRECT OR CONSEQUENTIAL DAMAGES. Some states or countries, or others jurisdictions do not allow the exclusion or limitation of incidental or consequential damages, so the above limitation or exclusion may not apply to you.

Should you encounter a problem with your Polygroup Product, please do not return the product to the place or purchase. All Warranty claims must be made directly to Polygroup. Prior to contacting Customer Service, please first review the Troubleshooting Guide in the Installation Manual, or review the FAQ at www.polygroup.com. If you are still unable to correct the problem, please contact Polygroup customer service at (888) 919-0070. Have the product type and your purchase receipt ready. Our Customer Service Representative will assist you in resolving the problem. You may be asked to return all or part of the product for inspection and/or repair. Do not return any product to Polygroup without a Return Authorization number.

Read and Follow All Safety Information and Instructions. Keep for Future Reference.

Failure to follow these warnings and instructions can result in serious injury or death to user, especially children.



| | |
|---|--|
| ⚠ DANGER | |
| PREVENT DROWNING Watch children at all times. Observe all Safety Rules. | NO DIVING! NO JUMPING! Shallow Water - You can be permanently injured. |

| | |
|--|---|
| ⚠ WARNING | |
| DO NOT SIT ON OR LAY OVER POOL WALL You can be permanently injured | AVOID ENTRAPMENT Stay away from suction fittings You may drown |

- Children, especially children younger than five years, are at high risk of drowning. Drowning occurs silently and quickly and can occur in as little as 2 in. (5 cm) of water.
- Keep children in your direct sight, stay close, and actively supervise them when they are in or near this pool and when you are filling and emptying this pool.
- When searching for a missing child, check the pool first, even if the child is thought to be in the house.
- Very Important: Swimming pool barriers, which restrict access to the pool by small children, may be required by law. A barrier is necessary to provide protection against potential drowning and near drowning. Barriers are not a substitute for constant supervision of children. Check state or local laws and codes before setting up pool.
- The use of artificial pool lighting is at the discretion of the pool owner. Lighting, when installed, should be in accordance with Article 680 of the National Electrical Code (NEC) or its latest approved edition and in consultation with a licensed electrical professional.
- During nighttime pool use, artificial lighting shall be used to illuminate all safety signs, ladders, steps, deck surfaces and walks.
- The floor of the pool shall be visible at all times from the outside perimeter of the pool.
- Local building codes may require obtaining a building or electrical permit. Installer shall follow regulations on setback, barriers, devices and other conditions.
- Post a list of emergency telephone numbers such as the nearest available police, fire, ambulance and/or rescue unit. These numbers are to be kept near the telephone, which is closest to the pool.

10. Toys, chairs, tables or similar objects that a young child could climb shall be at least four feet (4') [121.92 cm] from the pool. The pump filter system shall be positioned so as to prevent it being used as a means of access to the pool by young children. Do not leave toys inside pool when finished using, since toys and similar items might attract a child to the pool.
11. Basic lifesaving equipment, including one of the following should be on hand at all times:
 - * A light, strong, rigid pole (shepherds crook) not less than twelve feet (12') [365.76 cm] long.
 - * A minimum one-fourth inch (1/4") [6.35 mm] diameter rope as long as one and one half (1-1/2) times the maximum width of the pool or fifty feet (50') [15.24 meters], whichever is less, which has been firmly attached to a Coast Guard-approved ring buoy having an outside diameter of approximately fifteen inches (15") [38.1 cm], or similarly approved flotation device.
12. **Entrapment Avoidance:** There shall be no protrusions or other obstruction in the swimming area, which may cause entrapment or entanglement of the user. If a suction outlet cover is missing or broken, do not use the pool. Suction can cause body part entrapment, hair and jewelry entanglement, evisceration, or drowning. Repair or replace the suction outlet cover before allowing the pool to be used.
13. The pool is subject to wear and deterioration. If not maintained properly, certain types of excessive or accelerated deterioration can lead to failure of the pool structure that might release large quantities of water that could cause bodily harm and property damage.
14. Above ground / onground residential swimming pools are for swimming and wading only. No diving boards, slides or other equipment are to be added to an above ground / onground pool that in any way indicates that an above ground / onground pool may be used or intended for diving or sliding purposes.
15. Never allow horseplay, diving or jumping into or around the pool. Serious injury, paralysis or death, could result when this rule is disregarded. DO NOT ALLOW anyone to swim alone without supervision.
16. Safety signs shall comply with requirements of ANSI-Z535 and to use signal wording.
17. The pool is to be assembled by an adult; care should be taken in the unpacking and assembly of the pool, this pool may contain accessible potentially hazardous sharp edges or sharp points that are a necessary part of the function of the pool.
18. Become certified in cardiopulmonary resuscitation (CPR). In the event of an emergency, immediate use of CPR can make a lifesaving difference.
19. Keep all electrical lines, radios, speakers and other electrical appliances away from the pool.
20. Do not place pool near or under overhead electrical lines.
21. Remove pool ladders before leaving the pool. Children as young as 2 years have climbed up ladders and into pools and drowned.

NOTICE: CUSTOMERS THAT PURCHASE POOLS MAY BE REQUIRED BY LOCAL OR STATE LAW TO INCUR ADDITIONAL EXPENSES WHEN INSTALLING A POOL, IN ORDER TO COMPLY WITH STATE OR LOCAL LAWS REGARDING FENCING AND OTHER SAFETY REQUIREMENTS. CUSTOMERS SHOULD CONTACT THEIR LOCAL BUILDING CODE ENFORCEMENT OFFICE FOR FURTHER DETAILS.

CONSUMER AWARENESS BOOKLETS

Contact: U.S. Consumer Product Safety Commission at www.CPSC.gov/cpsc/pub/pubs/pool/pdf, Pub. #362 "Safety Barrier Guidelines for Home Pools".

Contact: ASSOCIATION OF POOL & SPA PROFESSIONALS (formerly NSPI) at - www.apsp.org/164/index.aspx

These titles are now available: "The Sensible Way To Enjoy Your Aboveground / Inground Swimming Pool", "Children Aren't Waterproof", "Pool and Spa Emergency Procedures For Infants", "Layers of Protection", and the "ANSI /NSPI-8 Model Barrier Code for Residential Swimming Pools, Spas, and Hot Tubs".

DANGER:

Competent supervision and knowledge of the safety requirements is the only way to prevent drowning or permanent injury in the use of this product!
Never leave young children unattended.

DANGER: POOL SET-UP

Do not attempt to assemble this pool in adverse weather conditions, such as in high winds, strong gusts or when the temperature is below 60°F.

FRAME POOL SETUP INSTRUCTION SHEET

1 SITE PREPARATION

WARNING - VERY IMPORTANT! SITE MUST BE LEVEL, STABLE, COMPACTED SOIL.

- The pool must be assembled on a smooth and level site of firm soil that is free of stones, gravel, sticks, blacktop or other oil base compounds. Do not install pool on a wooden deck or any type of wooden surface. You can not use sand and/or uncompacted soil to provide a level surface for this pool; it will only wash out.
- **FAILURE TO FOLLOW THE INSTRUCTIONS BELOW WILL CAUSE POOL TO COLLAPSE AND WILL VOID THE WARRANTY!**

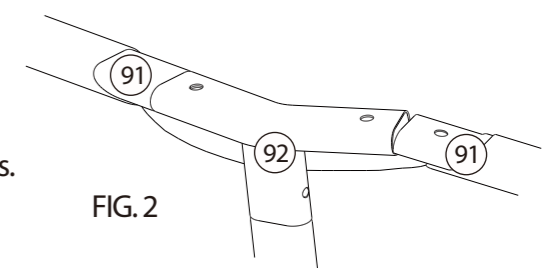
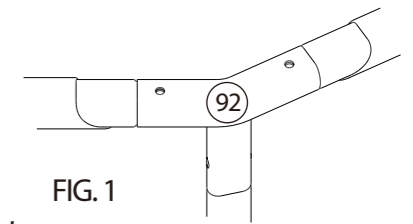
- A. Select a level area, and completely remove all debris, twigs, stones, etc. DO NOT select an area under overhead electrical lines, trees or within 15 feet of a house, building, etc. The area should also be at least 10 feet away, and no more than 21 feet away, from a 110 volt AC outlet, protected by a Ground Fault Circuit Interrupter.
- B. Contact your local utilities, checking that no underground cables, telephone lines, gas lines, etc. run beneath the area you have selected.

2 POOL INSTALLATION

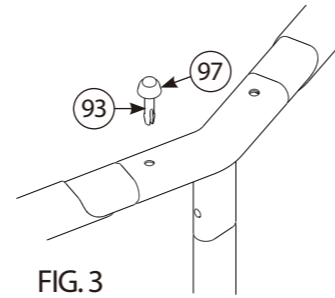
WARNING: DO NOT overfill the pool and / or allow people to lay over or sit on pool wall doing so can cause permanent injury. **DRAIN** pool to the proper level after a heavy rain.

TIP: It will be much easier to install your pool if you unfold it and let it lay in direct sunlight for about 2 hours prior to installation. This will help to insure a wrinkle-free fit because the pool material will be more pliable allowing it to form into shape during installation.

- A. Carefully unfold the Frame Pool and inspect seams for manufacturing defects. Lay the pool out flat on the ground, positioning the power filter mounting area of the pool wall so that it is 10 to 21 feet from the electrical outlet you plan to use for the pool pump. You should have at least three people to assist with the assembly of this pool.
- B. Locate the metal pipe and Tee Fittings for the frame section of the pool. The shorter pipe sections with the larger diameter and the pair of holes at both ends are the Horizontal Beams (91). The longer pipe sections with the smaller diameter and the Spring Pin (95) at one end are the Vertical Legs (94). Take the Horizontal Beams (91) and insert them into the pockets stitched along the top edge of the pool wall. Rotate it in the pocket so that the holes are on the top and bottom of the pipe protruding from each end of the pockets. Take one end of the pipe and insert it into a Tee Fitting aligning the holes with the holes in the Horizontal Beam. Do NOT install any of the Pins (93) at this time. Continue around the pool in either direction installing all of the Tee Fittings onto the Horizontal Beams. See Fig 1.



C. When you get to the last connection, install the last Tee Fitting on the end of one of the beams. Lift up on both of the last two Beams in order to get them to insert into the Tee Fitting. Angle them towards each other and guide the Beam into the Fitting as you lower them both down together. See Fig. 2. This step may require two people. Now, begin inserting the Pins (93) / Grommets (97) down through the top of the Tee Fittings until the Pin snaps into place on the lower side of the Fitting as shown in Fig. 3.



D. Once the top frame is assembled, locate the Vertical Legs (94). The Vertical Leg sections will have a Spring Pin (95) pre-installed at the top end. First, insert the leg down through the belt that runs around the middle of the pool, see Fig. 4. Now, to connect them into the top frame, push the buttons in as you insert the Leg up into the Tee Fitting. Look through the hole in the Fitting as you insert and rotate the pipe until the buttons align with the holes and pop out, locking the leg in place. Finally, take one of the Leg Caps (96) and insert the bottom of the Vertical Leg into it until it stops.

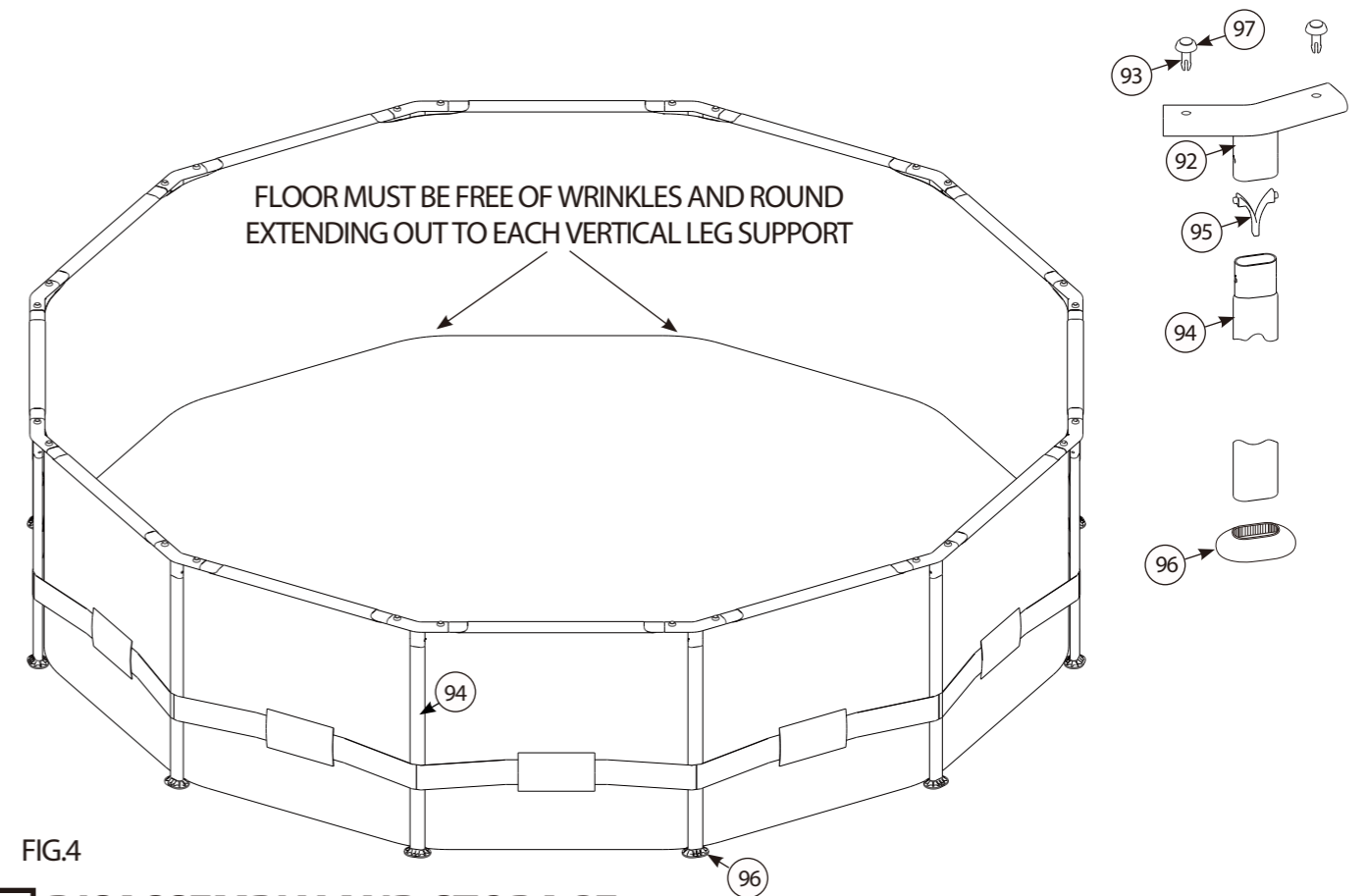
E. Go around and check all of the Fittings, Legs, and Beams for proper fit, making sure that all the Pins have been securely fastened in all of the holes. Grab the Vertical Legs at the bottom and gently pull them out making sure that they remain vertical and perpendicular to the top ring.

F. Make sure the drain fitting is plugged securely and the cap is in place. Start filling the pool with water.
NOTE: AFTER ABOUT 1-INCH OF WATER IS ON THE BOTTOM, STOP FILLING AND SMOOTH WRINKLES OUT OF THE BOTTOM OF THE POOL MAKING SURE THE POOL'S BOTTOM IS FLAT AND ROUND EQUALLY IN ALL DIRECTIONS. SEE FIG. 4 BELOW

G. NOTE: IF MORE THAN 1-2 INCHES OF WATER COLLECTS ON ANY ONE SIDE BEFORE THE POOL STARTS FILLING IN THE CENTER, THE POOL IS NOT LEVEL ENOUGH, AND MUST BE CORRECTED, SEE "SITE PREPARATION", PAGE 4.
NOTE: THE WEIGHT OF THE WATER WILL PREVENT ANY ADJUSTMENT AFTER THIS POINT.

H. Continue to check the Vertical Legs and pull them out at the bottom if necessary, making sure they remain vertical and perpendicular to the top ring.

I. Following the instructions under "Power Filter Installation" in the "Swimming Pool Filter System" owner's manual, begin installing your power filter unit according to it's manual.



3 DISASSEMBLY AND STORAGE

GENERAL INFORMATION: Pool must be stored if temperatures are expected to fall below 32°F.

- All parts should be cleaned with a mild soap and lukewarm water only - DO NOT use detergent or hot water.
- Make sure all parts are dry before storing to help prevent mildew from forming.
- Store all parts in a dry heated area where temperatures do not go below 32° F or above 125° F.
- Failure to follow the proper storage instructions could cause damage to pool parts and void warranty.
- YOU MUST FOLLOW THE ASSEMBLY INSTRUCTIONS TO REASSEMBLE YOUR POOL NEXT SEASON. Pool site must be cleared and leveled again before setting up your pool.

DRAINING THE POOL:

- To drain the pool, locate the drain plug on the outside of the pool wall and remove the drain cap. A standard garden hose will thread onto the drain fitting. Extend the hose to the area where the water is to be drained. When you have placed the garden hose where desired, the drain plug on the inside of the pool can be opened.
- Remove any remaining water as you wash and completely dry pool using a soft cotton cloth. Push the drain plug into the fitting and replace the cap.
- Frame Pools: If your pool has metal frame work, disassemble those pieces by depressing the plastic buttons sliding those pieces apart or by removing the plastic pins holding them together again sliding those pieces apart, clean them and wipe them dry. If in doubt of proper disassembly refer to the pools set-up sheet and reverse those steps. Place them all together in a safe storage place for reassembly next season. Order replacement parts for any damaged, broken, or worn parts.
- Solar blankets, leaf covers, ladders, etc., should be cleaned and dried before storing.

POOL COVER SAFETY

IF YOU ARE GOING TO USE A POOL COVER, SOLAR COVER OR SOLAR BLANKET, PLEASE READ THIS INFORMATION.

POOL COVER WARNING SOLAR COVER WARNING

WARNING

AVOID DROWNING RISK

STAY OFF COVER - WILL NOT SUPPORT WEIGHT.
KEEP CHILDREN AWAY. CHILDREN OR OBJECTS CAN NOT BE SEEN UNDER COVER.
REMOVE STANDING WATER - CHILD CAN DROWN ON TOP OF COVER.
REMOVE COVER COMPLETELY BEFORE ENTRY OF BATHERS - ENTRAPMENT POSSIBLE.
NON-SECURED OR IMPROPERLY SECURED COVERS ARE A HAZARD.
FAILURE TO FOLLOW ALL INSTRUCTIONS MAY RESULT IN INJURY OR DROWNING.
THIS IS NOT A SAFETY COVER.
TYPE OC COVER CLASSIFICATION.
INSTALL COVER WITH LABELS FACING UP.
USE DRAWSTRING TO SECURE COVER TO POOL.
THIS COVER MEETS REQUIREMENTS DESCRIBED IN SPECIFICATION F-1346 (ASTM).

SOLAR BLANKET WARNING

WARNING

AVOID DROWNING RISK

STAY OFF COVER - WILL NOT SUPPORT WEIGHT.
KEEP CHILDREN AWAY. CHILDREN OR OBJECTS CAN NOT BE SEEN UNDER COVER.
REMOVE STANDING WATER - CHILD CAN DROWN ON TOP OF COVER.
REMOVE COVER COMPLETELY BEFORE ENTRY OF BATHERS - ENTRAPMENT POSSIBLE.
NON-SECURED OR IMPROPERLY SECURED COVERS ARE A HAZARD.
FAILURE TO FOLLOW ALL INSTRUCTIONS MAY RESULT IN INJURY OR DROWNING.
THIS IS NOT A SAFETY COVER.
TYPE OC COVER CLASSIFICATION.
INSTALL COVER WITH LABELS FACING UP.
LAY COVER ON TOP SURFACE OF WATER.
THIS COVER MEETS REQUIREMENTS DESCRIBED IN SPECIFICATION F-1346 (ASTM).

VERY IMPORTANT

DO NOT USE A POOL COVER, SOLAR COVER OR SOLAR BLANKET ON THIS POOL IF IT DOES NOT HAVE THIS TYPE OF WARNING LABEL ON THE COVER.

DANGER:

Competent supervision and knowledge of the safety requirements is the only way to prevent drowning or permanent injury in the use of this product!
Never leave young children unattended.

SUMMER WAVES™ MANUEL DU PROPRIÉTAIRE DU LA PISCINE HORS-SOL TUBULAIRE RONDE

Pour toute commande de pièces, ou si vous avez des questions concernant ce produit, rendez-vous sur
WWW.POLYGROUP.COM Service clients:(888)919-0070

DISTRIBUÉ PAR: POLYGROUP LIMITED (MCO)
Avenida Xian Xing Hai, Centro Golden Dragon, 11 Andar M, Macau



Système d'Info sur l'Étiquette



ATTENTION: NE PAS trop remplir la piscine et/ou permettre personne de s'étendre ou s'asseoir sur la paroi de la piscine-LE FAIRE PEUT CAUSER DES BLESSURES PERMANENTES. Après une forte pluie, DRAINEZ la piscine jusqu'au niveau d'eau recommandé.
NOTA: NE PAS essayer le montage de cette piscine durant des conditions météorologiques non favorables, les jours ventés ou la température est au-dessous de 15,6°C.
NOTA: Cette piscine est stockable, elle doit être démontée et stockée quand les températures sont prévues de baisser au-dessous de 0°C.

| | |
|-------------------------------------|---|
| INFORMATION DE SÉCURITÉ | 2 |
| 1.PREPARATION DU TERRAIN | 4 |
| 2.INSTALLATION DE LA PISCINE | 4 |
| 3.DEMONTAGE ET RANGEMENT | 6 |
| SÉCURITÉ DES COUVERTURES DE PISCINE | 7 |

GARANTIE LIMITÉE

Polygroup Limited (Macao Commercial Offshore) ("Polygroup" ci-après) garantit cette Piscine structure acier Summer Waves™ (structure et liner) contre tout défaut de matériaux et de fabrication pendant 90 jours à compter de la date d'achat, cette garantie s'appliquant à l'acheteur initial uniquement.

L'acheteur initial doit conserver le justificatif d'achat sous forme de ticket de caisse d'origine et doit le présenter à la demande de Polygroup ou de ses agents désignés. Les interventions sous garantie ne peuvent être prises en compte sans justificatif d'achat valable.

Cette garantie limitée s'applique à l'acheteur initial du produit et se limite exclusivement à la réparation ou le remplacement du produit selon la seule décision de Polygroup. Cette garantie limitée ne couvre pas les dommages indirects tels que la perte d'eau, de produits chimiques pour piscine, les dommages ou la main d'œuvre.

Cette garantie sera annulée en cas de modification ou réparation du produit par l'acheteur ou par une personne ou personnes non-agrèée, d'utilisation de pièces ou d'accessoires autre que ceux fabriqués par Polygroup, d'utilisation du produit en contravention des instructions du fabricant, d'utilisation d'une tension d'alimentation non-conforme, d'une mauvaise utilisation quelconque du produit ou de dommages accidentelles ou de négligence. Cette garantie ne couvre pas l'usure normale ni les catastrophes naturelles indépendantes de la volonté de Polygroup.

084-120202 - 2013

EN AUCUN CAS POLYGROUP, SES AGENTS AGRÉÉS, SES ENTITÉS CONNEXES OU SES EMPLOYÉS NE POURRONT ÊTRE TENUS RESPONSABLES VIS-À-VIS DE L'ACHETEUR OU D'UN TIERS POUR DES DOMMAGES DIRECTS OU INDIRECTS QUELCONQUES. Certains États ou autre juridictions ne permettent pas l'exclusion ou la limitation des dommages directs ou indirects, donc la présente limitation ou exclusion peut ne pas vous concerner.

En cas de problème avec votre produit Polygroup, ne pas le retourner au point d'achat. Toute demande de prise en charge sous garantie doit être adressée directement à Polygroup. Avant de contacter le service après-vente, veuillez consulter le guide de dépannage figurant dans le manuel d'instructions, ou bien consultez la FAQ sur www.polygroup.com. Si vous ne trouvez toujours pas la solution, veuillez contacter le SAV Polygroup au (888) 919-0070. Avant d'appeler, notez le type de produit et préparez votre ticket de caisse. Notre agent SAV vous aidera à résoudre votre problème. Le retour du produit en entier ou en partie pour examen et réparation pourra vous être demandé. N'envoyez aucun produit à Polygroup sans avoir obtenu au préalable un numéro d'autorisation de retour.

Lisez et Suivez Toutes Information et Consignes de Sécurité. Conservez pour Référence Future.

Faute d'observer ces avertissements et consignes peut résulter en blessures graves ou la mort de l'utilisateur, spécialement les enfants.



| | | | |
|--|---|---|--|
| ⚠ DANGER | | ⚠ AVERTISSEMENT | |
| PRÉVENEZ LA NOYADE | INTERDIT DE PLONGER! INTERDIT DE SAUTER! | NE PAS S'ASSEOIR OU S'ÉTENDRE SUR LA PAROI DE LA PISCINE | ÉVITEZ LE PIÉGEAGE |
| Surveillez les enfants constamment Observez toutes les instructions de sécurité. | Eau peu profonde risque de blessures permanentes | Risque de blessures permanentes | Éloignez-vous des raccords aspirateurs - risque de noyade |

1. Les enfants, spécialement les enfants moins de cinq ans, sont à un risque élevé de noyade. Une noyade s'effectue silencieusement et rapidement et peut se produire même dans 5 cm d'eau.
2. Gardez les enfants en vue directe, restez proche et supervisez - les constamment quand ils sont dans ou autour de cette piscine et quand vous replissez ou vidangez cette piscine.
3. Quand vous recherchez un enfant manquant, vérifiez en premier lieu la piscine, même si cet enfant est supposé être à l'intérieur de la maison.
4. Très Important: Les barrières de piscine peuvent être requises par la loi pour limiter l'accès de la piscine aux jeunes enfants. Une barrière est nécessaire pour la protection contre les noyades ou risques de noyades. Les barrières ne remplacent pas la surveillance vigilante des enfants. Vérifiez les lois et normes provinciales et locales avant l'installation de la piscine.
5. L'emploi d'éclairage artificiel est laissé à la discrétion du propriétaire de la piscine. L'éclairage doit être installé conformément à l'Article 680 du National Electrical Code (NEC) ou la plus récente édition approuvée et en consultation avec un électricien professionnel licencié.
6. Si la piscine est utilisée durant la nuit, un éclairage artificiel doit être pourvu pour éclairer toutes les enseignes de sécurité, les échelles, marches, plateformes et chemins.
7. Le fond de la piscine doit être visible à tout moment du périmètre extérieur de la piscine.
8. Les codes locaux peuvent exiger l'obtention de permis pour travaux de construction ou d'électricité. L'installateur devrait suivre les normes sur le recul, les barrières, les appareils et autres conditions.

9. Affichez une liste de numéros de téléphone d'urgence comme la police, les pompiers, l'ambulance et/ou le centre de secours. Ces numéros doivent être tenus à proximité du téléphone le plus proche de la piscine.
10. Jouets, chaise, tables ou objets similaires qu'un jeune enfant pourra escalader doivent être à au moins 121,92 cm de la piscine. Le système motofiltre devra être situé de façon à prévenir qu'il ne soit utilisé comme moyen d'accès à la piscine par de jeunes enfants. Ne laissez aucun jouet dans la piscine quand son usage est terminé, car les jouets et objets similaires peuvent attirer un enfant à la piscine.
11. Un équipement de sauvetage de base, y compris un des suivants, doit être à portée de la main à tout moment:
 - * Une perche (houlette de berger) légère, solide, rigide, pas moins de 365,76 cm de long.
 - * Une corde d'un diamètre minimum 6,35 mm, d'une longueur d'une fois et demie (1-1/2) la largeur maximum de la piscine ou de 15,24 mètres, au choix, attachée solidement à une bouée de sauvetage d'un diamètre extérieur d'environ 38,1 cm, approuvée par les Gardes-Côtes, ou d'autre équipement de sauvetage similaire approuvé.
12. **Évitez le Piégeage:** Les saillies ou autre obstructions, pouvant piéger ou enchevêtrer l'utilisateur, ne doivent pas exister dans l'aire de natation. Si le couvercle d'une bouche d'aspiration est manquant ou cassé, n'utilisez pas la piscine. L'aspiration peut causer le piégeage d'une partie du corps, des cheveux et l'enchevêtrement de bijoux, éviscération, ou noyade. Réparez ou remplacez le couvercle de la bouche d'aspiration avant de permettre l'usage de la piscine.
13. La piscine est exposée à l'usure et à la détérioration. Si l'entretien n'est pas correct, certaines détériorations excessives ou accélérées peuvent mener à l'effondrement de la structure de la piscine et le déchargement d'un grand volume d'eau pouvant causer des blessures corporelles et des dommages matériels.
14. Les piscines résidentielles hors terre/surterre sont pour nager et patauger uniquement. Plongeoires, toboggans ou autres équipements ne doivent pas être ajoutés à une piscine hors terre/surterre, leurs présences pouvant indiquer faussement qu'une piscine hors terre/surterre peut être utilisée ou conçue pour plonger ou glisser.
15. Ne jamais permettre les jeux de mains, de plonger ou sauter dans ou autour de la piscine. La négligence de cette directive peut résulter en des blessures graves, paralysie ou mort. NE PERMETTEZ à personne de nager seul sans surveillance.
16. Les enseignes de sécurité doivent se conformer aux exigences de ANSI-Z535 et utiliser les termes 'avertissements.
17. La piscine doit être montée par un adulte. Déballage et montage de la piscine doivent être exécutés avec précaution. La piscine peut contenir de dangereuses arêtes aiguisées ou pointes affûtées accessibles qui sont nécessaires pour le fonctionnement de la piscine.
18. Devenez certifié en réanimation cardiopulmonaire (RCP). Dans un cas d'urgence, l'application immédiate de RCP peut contribuer au sauvetage d'une vie.
19. Eloignez de la piscine toutes lignes électrique, radios, haut-parleurs et autre appareils électriques.
20. Ne pas situer la piscine près ou audessous des lignes électriques aériennes.
21. Enlevez les échelles de piscine avant de quitter la piscine. Enfants aussi jeunes que 2 ans ont grimpé les échelles et descendu dans les piscines et sont noyés.

AVIS: LES CLIENTS AYANT ACHETÉ DES PISCINES PEUVENT ÊTRE REQUIS PAR LA LOI PROVINCIALE OU LOCALE D'ENGAGER DES DÉPENSES SUPPLÉMENTAIRES LORS DE L'INSTALLATION DE LA PISCINE, AFIN DE SE CONFORMER AUX LOIS PROVINCIALES ET LOCALES CONCERNANT LES BARIÈRES ET AUTRE EXIGENCES DE SÉCURITÉ. LES CLIENTS DEVRAIENT COMMUNIQUER AVEC LEUR BUREAU LOCAL D'EXÉCUTION DU CODE DU BÂTIMENT POUR PLUS DE DÉTAILS.

LIVRETS D'INFORMATION À L'UTILISATEUR

Contactez: U.S. Consumer Product Safety Commission à www.CPSC.gov/cpsc/pub/pubs/pool/pdf, Pub. #362 "Safety Barrier Guidelines for Home Pools".

Contactez: ASSOCIATION OF POOL & SPA PROFESSIONALS (formerly NSPI) à www.apsp.org/164/index.aspx
 Titres disponibles: "The Sensible Way To Enjoy Your Aboveground / Inground Swimming Pool", "Children Aren't Waterproof", "Pool and Spa Emergency Procedures For Infants", "Layers of Protection", and the "ANSI / NSPI-8 Model Barrier Code for Residential Swimming Pools, Spas, and Hot Tubs". www.apsp.org/164/index.aspx

DANGER:

Une supervision compétente et la connaissance des exigences de sécurité est le seul moyen de prévenir les noyades ou les blessures permanentes durant l'usage de ce produit.

Ne jamais laisser les enfants sans surveillance.

DANGER: MONTAGE DE LA PISCINE

N'essayez pas le montage de cette piscine dans des conditions d'intempéries, tel que durant des vents violents, de fortes rafales ou quand la température est au-dessous de 15,6°F.

INSTRUCTIONS DE MONTAGE PISCINE TUBULAIRE

1 PRÉPARATION DU TERRAIN

ATTENTION - TRÈS IMPORTANT! L'EMPLACEMENT DOIT ÊTRE NIVELÉ, STABLE, SOL COMPACTÉ.

• La piscine doit être montée sur un terrain lisse et nivelé, un sol dur sans cailloux, graviers, brindilles, asphaltes et dérivés d'hydrocarbure. N'installez pas la piscine sur aucun plancher en bois. Vous ne pouvez pas utiliser du sable et/ou un sol non compacté à fournir un terrain plat pour cette piscine; il sera simplement emporté.

• **LA NÉGLIGENCE DES DIRECTIVES SUIVANTES CAUSERA L'ÉCROULEMENT DE LA PISCINE ET ANNULERA LA GARANTIE!**

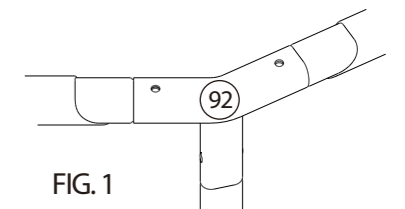
- A. Choisissez un terrain nivelé et retirez complètement tout débris, brindilles, cailloux, objets pointus, etc. NE PAS choisir un endroit au-dessous de lignes électriques, des arbres ou à moins de 4,57 mètres d'une maison, édifice, etc. Aussi l'endroit doit être éloigné de 3,05 mètres au moins mais pas plus de 6,4 mètres d'une prise de courant 110 volts 60 Hz protégé par un Disjoncteur Différentiel (DDFT).
- B. Contactez les autorités locales pour vérifier qu'aucun câble électrique, téléphoniques, conduite de gaz de ville, etc. n'existe sous l'endroit choisi.

2 INSTALLATION DE LA PISCINE

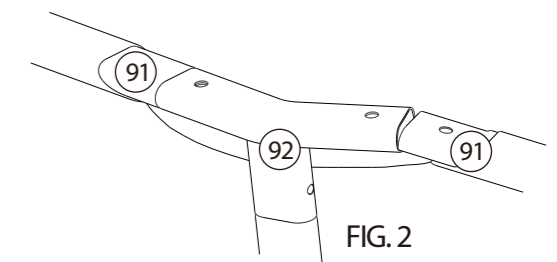
ADVERTISSEMENT: NE PAS trop remplir la piscine et/ou permettre personne de s'étendre ou s'asseoir sur la paroi de la piscine, le faire peut causer des blessures permanentes. **VIDANGEZ** la piscine au niveau recommandé après une forte pluie.

CONSEIL: Pour faciliter l'installation de votre piscine, déployez-la et étalez-la en plein soleil durant deux heures avant de l'installer. Le matériel de la piscine sera plus flexible lui permettant de prendre forme durant l'installation et évitera la formation de faux-plies.

- A. Déployez avec précaution la Piscine Tubulaire et inspectez les joints avant le montage. Étalez la piscine à plat sur le sol et situez la section de la paroi réservée au moto-filtre de manière qu'elle soit entre 3.05 et 6.4 mètres de la prise de courant destinée au moto-filtre. Le montage de cette piscine nécessite au moins l'aide de trois personnes.



- B. Repérez les conduites en métal et les Raccords en Té. Les Poutres Horizontales (91) sont les conduites courtes à grand diamètre et une paire de trous à chaque extrémité. Les conduites plus longues et de diamètre plus petit avec Clip-V (95) dans une extrémité sont les Pieds Verticaux (94). Introduisez les Poutres Horizontales (91) dans les fourreaux soudés autour du bord supérieur de la paroi de la piscine et tournez-les pour avoir les deux trous à chaque extrémité en ligne verticale. Introduisez l'extrémité d'une poutre dans un Raccord-Té et alignez les trous avec ceux de la Poutre Horizontale. N'INSTALLEZ AUCUNE GOUPILLE (93) POUR LE MOMENT. Continuez d'installer tous les Raccords-Té sur les Poutres Horizontales tout autour de la piscine. Voir Fig. 1.



C. À la dernière connexion, installez le dernier Raccord-Té sur l'extrémité d'une poutre. Soulevez les deux dernières Poutres pour former un angle entre elles qui facilitera l'introduction de leur extrémité dans le Raccord-Té en abaissant les deux poutres ensemble. **Fig. 2.** Cette opération peut nécessiter deux personnes. Maintenant commencez à placer les Goupilles (93) / OEillets (97) par le haut des Raccords-Té jusqu'à ce que chaque Goupille s'enclenche en place dans le Raccord-Té, comme dans **Fig. 3.**

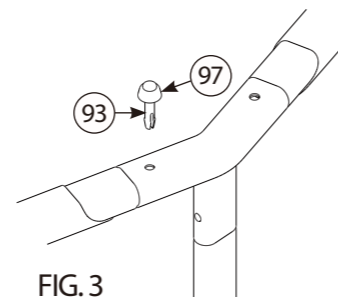


FIG. 3

D. Dès que le cadre supérieur est connecté, repérez les Pieds Verticaux (94). Ces derniers sont pourvus d'un Clip-V (95) pré-installé dans chaque extrémité supérieure. Premièrement insérez les Pieds à travers la ceinture montée à mi-hauteur tout autour de la piscine, voir **Fig. 4.** Ensuite introduisez chaque Pied dans un Raccord-Té, poussez les boutons en introduisant chaque Pied, tournez les Pieds pour aligner les boutons avec les trous des Raccords-Té jusqu'à blocage ferme. Finalement, installez le bas des Pieds Verticaux dans les Sabots (96) autant qu'ils puissent pénétrer.

E. Vérifiez tous les Raccords-Té, tous les Pieds Verticaux, toutes les Poutres Horizontales pour s'assurer d'un ajustage parfait et que toutes les Goupilles sont installées solidement dans leurs trous. Saisissez le bas des Pieds Verticaux et tirez-les doucement pour s'assurer qu'ils demeurent verticaux et perpendiculaires à l'anneau supérieur.

F. Vérifiez que le drain est sûrement bouchonné avec le bouchon bien en place. Commencez le remplissage de la piscine en eau. NOTE: DÈS QUE L'EAU ATTEINT ENVIRON 1 POUNCE AU-DESSUS DU FOND, ARRÊTEZ LE REMPLISSAGE ET LISSEZ LES PLIS AU FOND DE LA PISCINE TOUT EN VOUS ASSURANT QUE LE FOND EST PLAT ET ÉGALEMENT ROUND DANS TOUTES DIRECTIONS. VOIR **FIG. 4** CI-DESSOUS.

G. NOTEZ: SI L'EAU S'ACCUMULE DE PLUS DE 0,03 ET 0,05 MÈTRES SUR N'IMPORTE QUEL COTÉ AVANT D'ATTEINDRE LE CENTRE DE LA PISCINE, CETTE DERNIÈRE N'EST PAS SUFFISAMMENT NIVELÉE ET UNE CORRECTION EST NÉCESSAIRE, VOIR PAGE 1 "PRÉPARATION DU TERRAIN". REMARQUE: SI VOUS AJOUTEZ PLUS D'EAU, SON POIDS PRÉVIENDRA TOUTE CORRECTION OU AJUSTAGE.

H. Continuez de vérifier les Pieds Verticaux et de tirer le bas si nécessaire, afin de s'assurer qu'ils demeurent verticaux et perpendiculaires à l'anneau supérieur.

I. Suivez les directives indiquées dans "Installation du Moto-Filtre" dans le manuel du propriétaire "Système Filtre pour Piscine", pour installer votre ensemble moto-filtre.

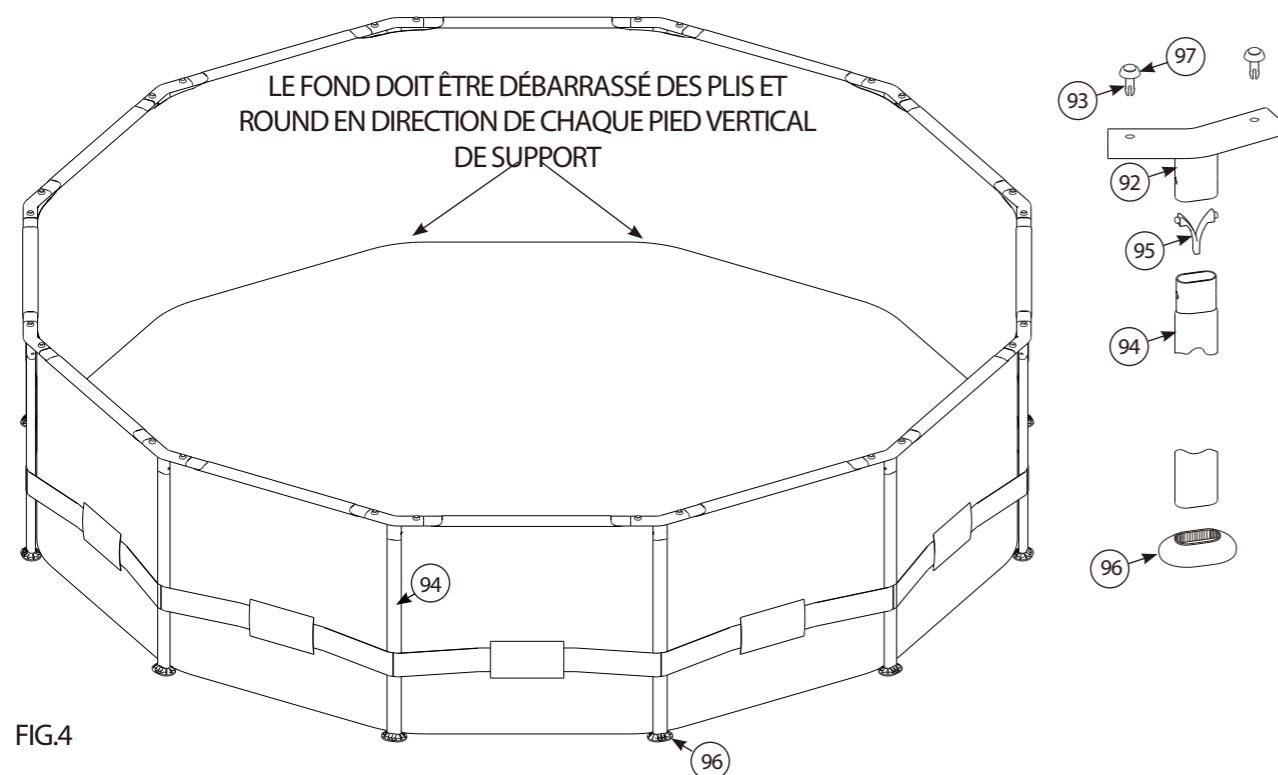


FIG. 4

3 DÉMONTAGE ET RANGEMENT

INFORMATION GÉNÉRALE: La piscine doit être rangée si la température est prévue de tomber au-dessous de 0° C.

- A. Toutes les pièces doivent être nettoyées au savon et à l'eau tiède seulement. NE PAS utiliser des détergents ou de l'eau chaude.
- B. Assurez-vous toutes les pièces sont sèches avant de les ranger, pour empêcher la formation de moisissure.
- C. Rangez toutes les pièces dans un endroit sec et chauffé où la température ne descend pas au-dessous de 0° C et ne dépasse pas 52° C.
- D. Faute de suivre les instructions de rangement, les pièces de la piscine peuvent être endommagées et la garantie annulée.
- E. VOUS DEVEZ SUIVRE LES INSTRUCTIONS DE MONTAGE POUR REMONTER VOTRE PISCINE LA SAISON ANTE. Le terrain de la piscine doit être dégagé et à niveau.

VIDANGE DE LA PISCINE:

- A. Pour vidanger la piscine, situez la bonde de vidange sur la paroi extérieure de la piscine et retirez le couvercle. Un tuyau d'arrosage se visse sur le raccord de vidange. Allongez le tuyau jusqu'au lieu d'évacuation de l'eau. Une fois le tuyau d'arrosage en place désirée, vous pouvez ouvrir la bonde de vidange de l'intérieur de la piscine.
- B. Débarassez-vous de l'eau tout en lavant la piscine et séchez-la complètement à l'aide d'une serviette en coton doux. Poussez la bonde dans le raccord de vidange et remplacez le couvercle.
- C. Piscines Tubulaires: Si votre piscine utilise une charpente métallique, démontez ces membres en poussant les boutons en plastique, séparez les pièces l'une de l'autre ou en retirant les goupilles en plastique qui les joignent, séparez-les, nettoyez-les et séchez-les. Si vous doutez de l'ordre correct de démontage, référez-vous aux instructions de montage et inversez les étapes. Gardez toutes les pièces ensemble dans un endroit sûr pour remontage la saison suivante. Commandez les pièces de rechange pour remplacer toutes pièces endommagées, cassées ou usées.
- D. Les couvertures à bulles, couvertures pour débris, échelles, etc., doivent être nettoyé et séché avant leur stockage.

SÉCURITÉ DES COUVERTURES DE PISCINE

SI VOUS ALLEZ UTILISER UNE COUVERTURE DE PISCINE OU UNE COUVERTURE À BULLES, PRIÈRE DE LIRE CETTE INFORMATION IMPORTANTE.

AVERTISSEMENT POUR COUVERTURE DE PISCINE

AVERTISSEMENT

ÉVITEZ LE RISQUE DE NOYADE

RESTEZ LOIN DE LA BÂCHE - NE SUPPORTERA PAS LE POIDS
ÉLOIGNEZ LES ENFANTS. ENFANTS OU OBJETS NE PEUVENT PAS
ÊTRE VUS SOUS LA BÂCHE.

DÉBARRASSEZ L'EAU STAGNANTE - UN ENFANT PEUT SE NOYER
AU-DESSUS DE LA BÂCHE.

RETIREZ COMPLÈTEMENT LA BÂCHE AVANT L'ENTRÉE DES
BAIGNEURS - POSSIBILITÉ DE PIÉGEAGE.

LES BÂCHES NON SÉCURISÉES OU INCORRECTEMENT
SÉCURISÉES PRÉSENTENT DES RISQUES

FAUTE DE SUIVRE TOUTES LES INSTRUCTIONS PEUT RÉSULTER
EN BLESSURES OU NOYADE.

CECI N'EST PAS UNE BÂCHE DE SÛRETÉ.

CLASSIFICATION DE LA BÂCHE TYPE OC.

INSTALLEZ LA BÂCHE AVEC LES ÉTIQUETTES AU-DESSUS.

FAITES USAGE DE LA CORDE - CEINTURE POUR SÉCURISER LA
BÂCHE À LA PISCINE.

CETTE BÂCHE SATISFAIT LES EXIGENCES DÉCRITES DANS LA
NORME F-1346 (ASTM).

AVERTISSEMENT POUR COUVERTURE À BULLES

AVERTISSEMENT

ÉVITEZ LE RISQUE DE NOYADE

RESTEZ LOIN DE LA BÂCHE - NE SUPPORTERA PAS LE POIDS.
ÉLOIGNEZ LES ENFANTS. ENFANTS OU OBJETS NE PEUVENT PAS
ÊTRE VUS SOUS LA BÂCHE.

DÉBARRASSEZ L'EAU STAGNANTE - UN ENFANT PEUT SE NOYER
AU-DESSUS DE LA BÂCHE.

RETIREZ COMPLÈTEMENT LA BÂCHE AVANT L'ENTRÉE DES
BAIGNEURS - POSSIBILITÉ DE PIÉGEAGE.

LES BÂCHES NON SÉCURISÉES OU INCORRECTEMENT
SÉCURISÉES PRÉSENTENT DES RISQUES

FAUTE DE SUIVRE TOUTES LES INSTRUCTIONS PEUT RÉSULTER
EN BLESSURES OU NOYADE.

CECI N'EST PAS UNE BÂCHE DE SÛRETÉ.

CLASSIFICATION DE LA BÂCHE TYPE OC.

INSTALLEZ LA BÂCHE AVEC LES ÉTIQUETTES AU-DESSUS.

POSEZ LA BÂCHE AU-DESSUS DE LA SURFACE DE L'EAU.

CETTE BÂCHE SATISFAIT LES EXIGENCES DÉCRITES DANS LA
NORME F-1346 (ASTM).

TRÈS IMPORTANT!

N'UTILISEZ PAS UNE COUVERTURE DE PISCINE OU UNE
COUVERTURE À BULLES SUR CETTE PISCINE SI ELLE
NE PORTE PAS CE GENRE D'AVERTISSEMENT
SUR LA COUVERTURE.

DANGER:

Une supervision compétente et la connaissance des exigences de sécurité
est le seul moyen de prévenir les noyades ou les blessures permanentes
durant l'usage de ce produit.

Ne jamais laisser les enfants sans surveillance.