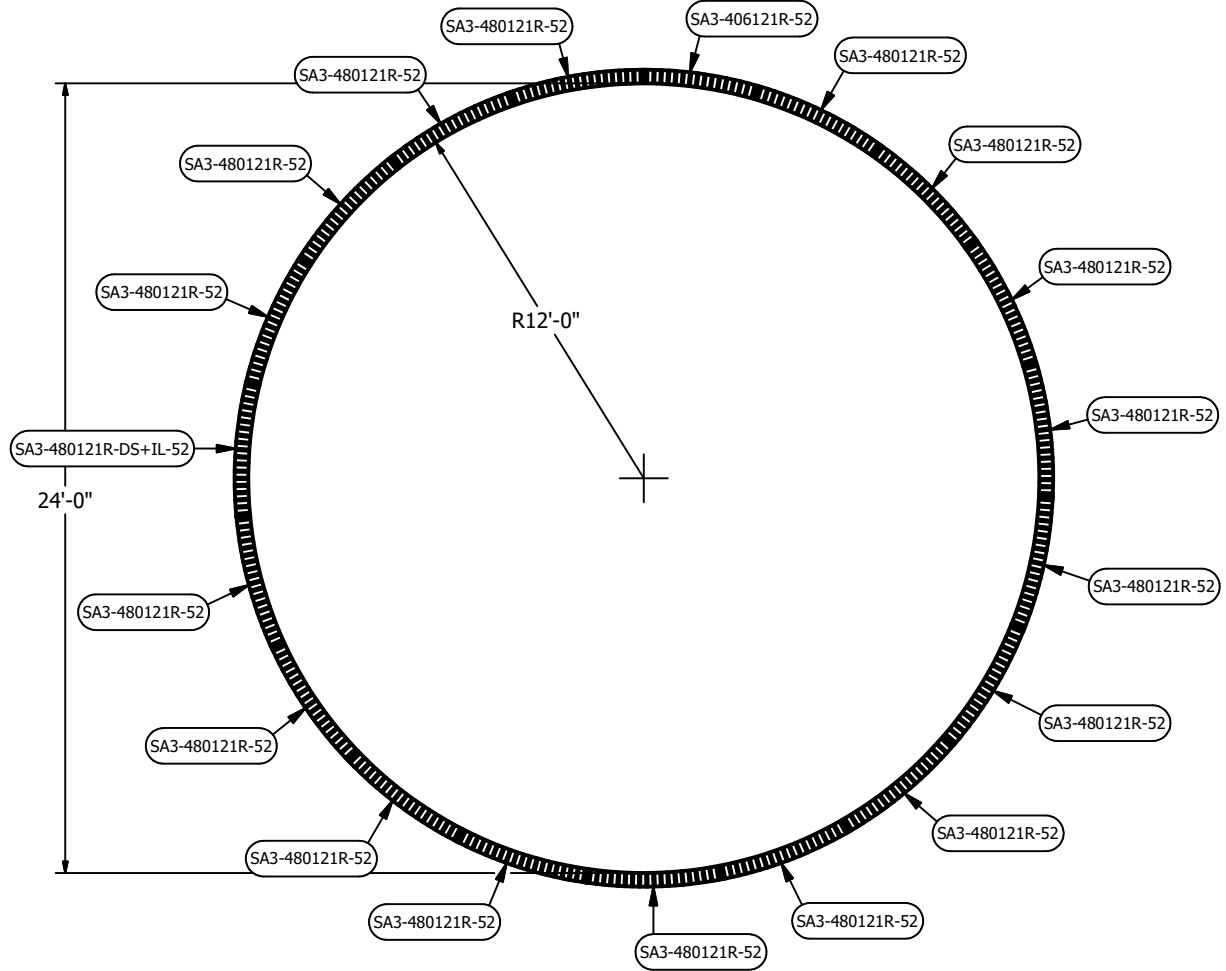


STEEL WALL POOL SYSTEM

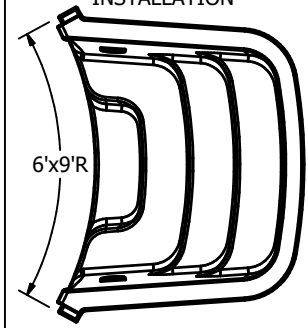
24' ROUND

| | | | |
|-------------------|-----------------|------------------------|-------------|
| DWG #: GS-9748-DB | DATE: 8/1/2023 | REV: - | PAGE 1 OF 3 |
| AREA (SqFt): 453 | PERIMETER: 75.4 | EST. VOL (US Gal): TBD | |

24 ROUND SEMI INGROUND KIT



RADIUS STEP OPTION
SEE INSTALL GUIDE FOR
INSTALLATION



- K1FS-2400R6B - BLUE
- K1FS-2400R6G - GREY
- K1FS-2400R6W - WHITE

| BILL OF MATERIALS | | |
|-------------------|----------------------|--|
| QTY | PART NUMBER | DESCRIPTION |
| 1 | SA3-406121R-52 | Stl Pnl 40 3/4" x 12'R (52" Tall) 1-Rib |
| 17 | SA3-480121R-52 | Stl Pnl 48" x 12'R (52" Tall)-1 Rib |
| 1 | SA3-480121R-DS+IL-52 | Stl Pnl 48"x 12'R DB Skim+Inlet Lft (52" Tall)-1 Rib |

| BRACE / HARDWARE OPTIONS | | |
|--------------------------|-------------|--|
| QTY | PART NUMBER | DESCRIPTION |
| 1 | HW-2002 | Hdw Steel/Rrd Kit |
| 2 | HW-2013 | Hdw Steel Add-on Kit (3/8" Bolts-100, 3/8" Nuts-100) |

| COPING | | |
|--------|----------------|--|
| QTY | PART NUMBER | DESCRIPTION |
| 1 | HW-2019 | Hdw On Ground No-Diving Kit (7/bag) *Mandatory Safety Signage* |
| 1 | HW-1007 | Hdw 12x1" Tek Screws - 100/Box |
| 10 | ATFC - 9601FCG | Alu Txt 8' F-Channel - Straight/Radius Grey - 1/Box |

NO DIVING DANGER: DIVING MAY RESULT IN SERIOUS INJURY OR DEATH. Signage must be permanently attached around the perimeter of the pool.

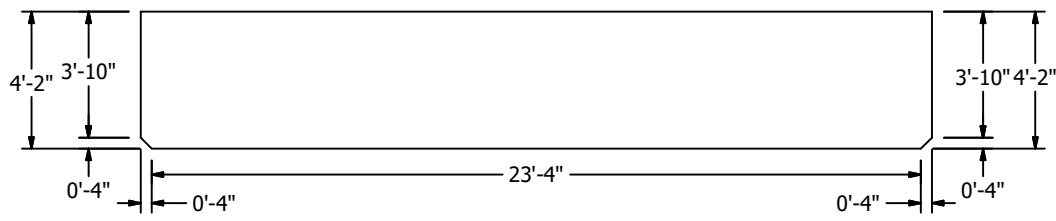
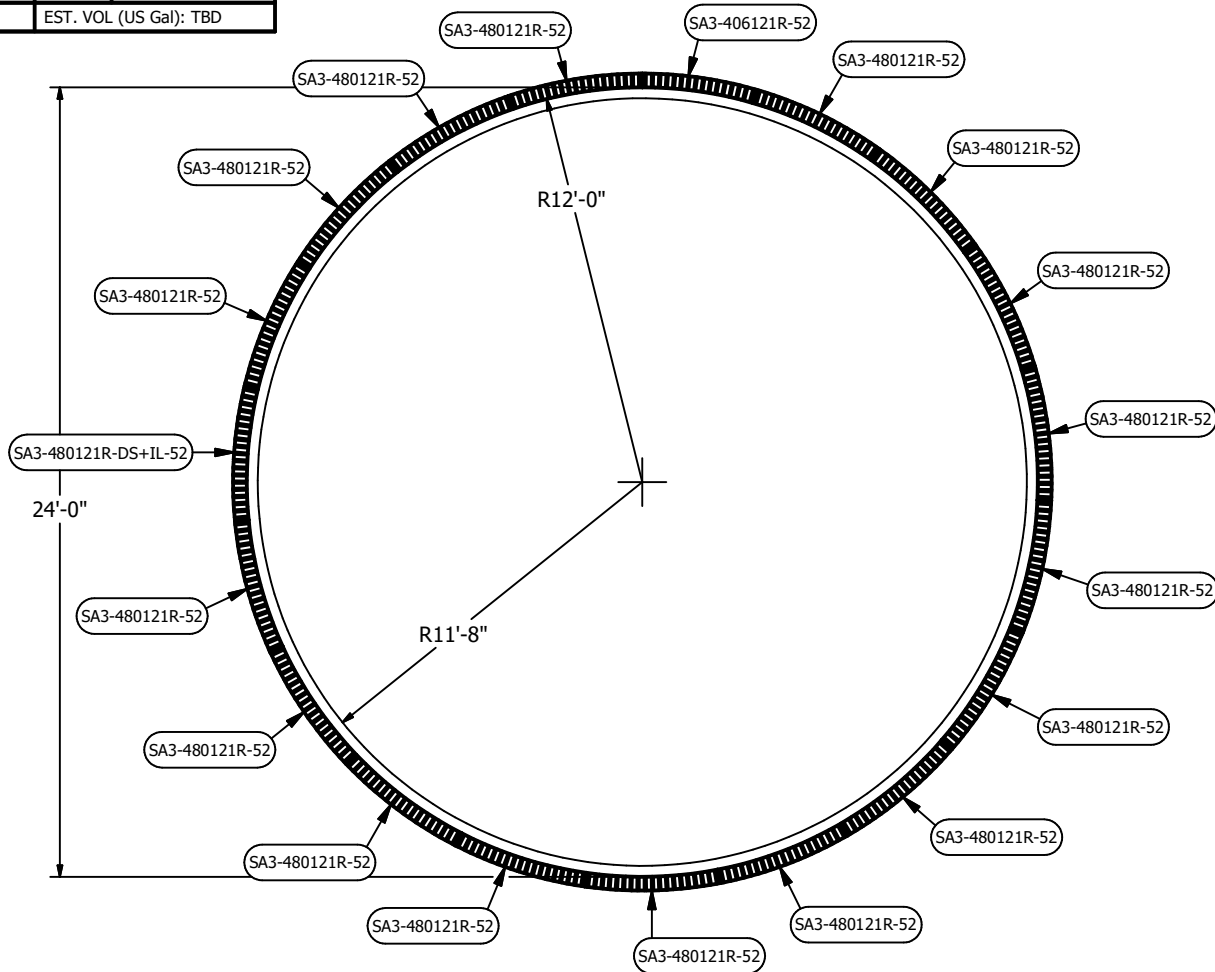
THIS DOCUMENT IS FOR ILLUSTRATIVE PURPOSES ONLY. Original Equipment Manufacturer makes only those representations which are stated in its written warranty. Any other representations, statements, or contracts made by the dealer/contractor to the customer regarding any components produced by Original Equipment Manufacturer are attributable to the dealer/contractor only. The dealer or contractor who sells or installs your pool is an independent contractor and is not an agent or employee of Original Equipment Manufacturer. The construction methods illustrated here are suggestions and apply only to normal ground conditions. There may be additional precautions and/or methods of construction. The responsibility is the contractor's. -A safety line, with buoys, is to be permanently attached 1'-0" to the shallow side of the point of first slope change. -Different methods and precautions may be dictated by various ground conditions. This is to be determined by and is the responsibility of the contractor who is not an agent of the manufacturer of the component parts. -Installation is to be done in accordance with all federal, state and local building codes, as well as A.N.S.I./N.S.P.I. suggested standards. -BOTTOM SPECIFICATIONS MUST MEET OR EXCEED A.N.S.I./N.S.P.I./A.P.S.P. RECOMMENDED STANDARDS -NO DIVING signage must be permanently attached to the entire perimeter of the pool. See instructions with signage. -IT IS RECOMMENDED TO NOT INSTALL DIVING BOARDS AND/OR SLIDING EQUIPMENT ON RESIDENTIAL POOLS. If diving boards and/or sliding equipment is installed by the contractor, such diving boards and sliding equipment MUST BE INSTALLED WITHIN THE GUIDELINES ESTABLISHED BY ANSI/NSPI/ASPA RECOMMENDED STANDARDS, AND IN ACCORDANCE WITH ALL APPLICABLE STATE AND LOCAL CODES AND REGULATIONS.



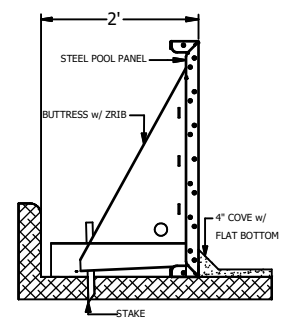
STEEL WALL POOL SYSTEM

24' ROUND

| | | | |
|-------------------|-----------------|------------------------|-------------|
| DWG #: GS-9748-DB | DATE: 8/1/2023 | REV: - | PAGE 2 OF 3 |
| AREA (SqFt): 453 | PERIMETER: 75.4 | EST. VOL (US Gal): TBD | |



SA3-BTBRC-Z
(SIDE PROFILE)



NO DIVING DANGER: DIVING MAY RESULT IN SERIOUS INJURY OR DEATH. Signage must be permanently attached around the perimeter of the pool.

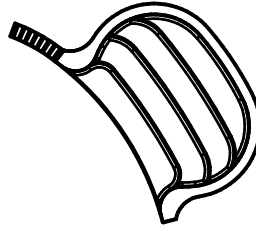
THIS DOCUMENT IS FOR ILLUSTRATIVE PURPOSES ONLY. Original Equipment Manufacturer makes only those representations which are stated in its written warranty. Any other representations, statements, or contracts made by the dealer/contractor to the customer regarding any components produced by Original Equipment Manufacturer are attributable to the dealer/contractor only. The dealer or contractor who sells or installs your pool is an independent contractor and is not an agent or employee of Original Equipment Manufacturer. The construction methods illustrated here are suggestions and apply only to normal ground conditions. There may be additional precautions and/or methods of construction. The responsibility is the contractor's. -A safety line, with buoys, is to be permanently attached 1'-0" to the shallow side of the point of first slope change. -Different methods and precautions may be dictated by various ground conditions. This is to be determined by and is the responsibility of the contractor who is not an agent of the manufacturer of the component parts. -Installation is to be done in accordance with all federal, state and local building codes, as well as A.N.S.I./N.S.P.I. suggested standards. -BOTTOM SPECIFICATIONS MUST MEET OR EXCEED A.N.S.I./N.S.P.I./A.P.S.P. RECOMMENDED STANDARDS. -NO DIVING signage must be permanently attached to the entire perimeter of the pool. See instructions with signage. -IT IS RECOMMENDED TO NOT INSTALL DIVING BOARDS AND/OR SLIDING EQUIPMENT ON RESIDENTIAL POOLS. IF diving boards and/or sliding equipment is installed by the contractor, such diving boards and sliding equipment MUST BE INSTALLED WITHIN THE GUIDELINES ESTABLISHED BY ANSI/NSPI/ASPA RECOMMENDED STANDARDS, AND IN ACCORDANCE WITH ALL APPLICABLE STATE AND LOCAL CODES AND REGULATIONS.



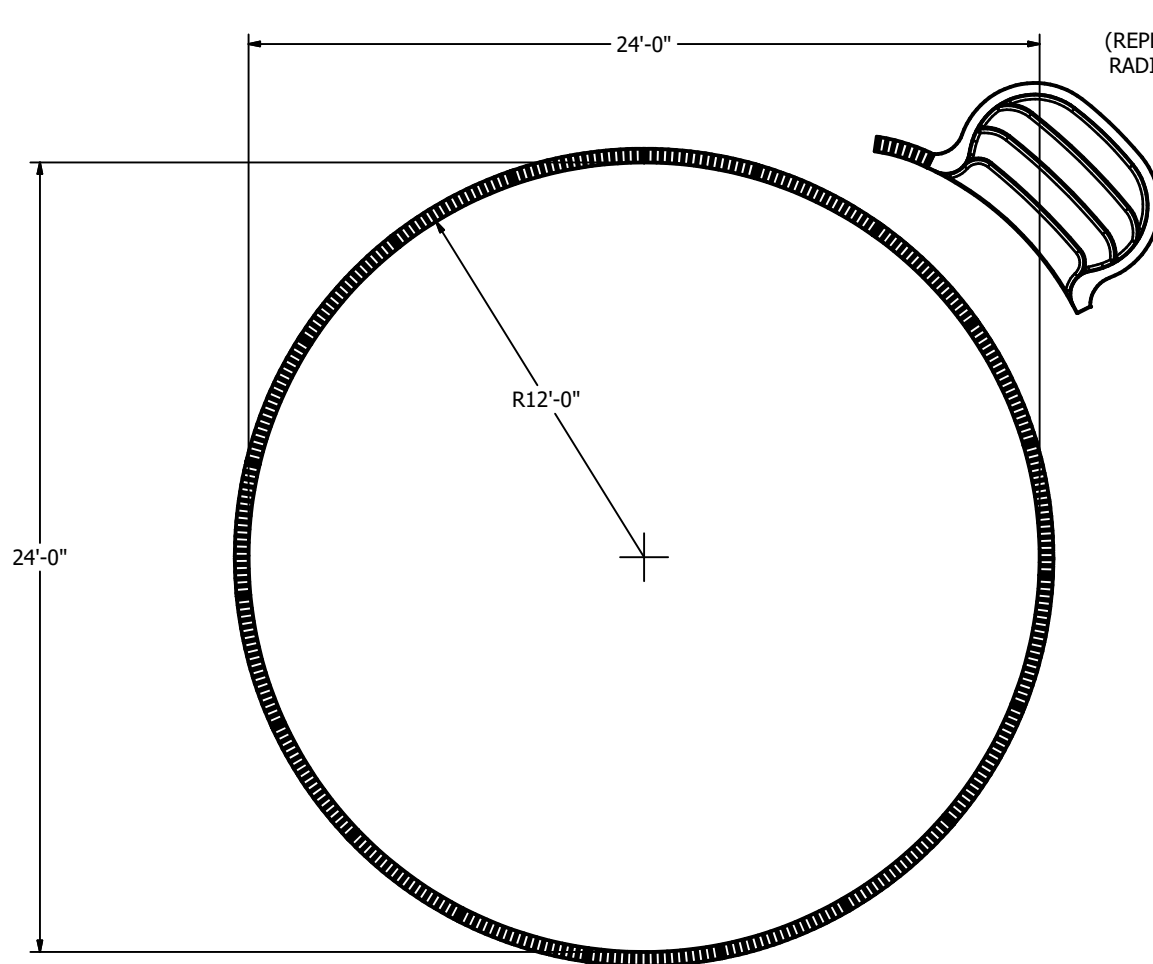
STEEL WALL POOL SYSTEM

24' ROUND

| | | | |
|-------------------|-----------------|------------------------|-------------|
| DWG #: GS-9748-DB | DATE: 8/1/2023 | REV: - | PAGE 3 OF 3 |
| AREA (SqFt): 453 | PERIMETER: 75.4 | EST. VOL (US Gal): TBD | |

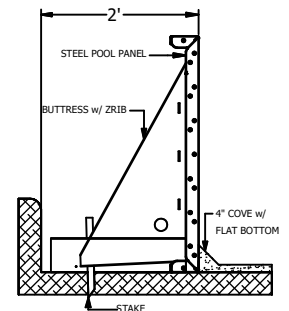


K1FS-2400R6RB - BLUE
 K1FS-2400R6RG - GREY
 K1FS-2400R6RW - WHITE
 (KIT CONTAINS x1 SA3F-1730R-52 WHICH CAN BE USED
 IN COMBINATION TO ACCOMMODATE 6'R STEP)



OPTION
 (REPLACE x1 40 3/4" & x1 48" RADIUS PANEL ON ANY SIDE)

SA3-BTBRC-Z
 (SIDE PROFILE)



NO DIVING DANGER: DIVING MAY RESULT IN SERIOUS INJURY OR DEATH. Signage must be permanently attached around the perimeter of the pool.

THIS DOCUMENT IS FOR ILLUSTRATIVE PURPOSES ONLY. Original Equipment Manufacturer makes only those representations which are stated in its written warranty. Any other representations, statements, or contracts made by the dealer/contractor to the customer regarding any components produced by Original Equipment Manufacturer are attributable to the dealer/contractor only. The dealer or contractor who sells or installs your pool is an independent contractor and is not an agent or employee of Original Equipment Manufacturer. The construction methods illustrated here are suggestions and apply only to normal ground conditions. There may be additional precautions and/or methods of construction. The responsibility is the contractor's. -A safety line, with buoys, is to be permanently attached 1'-0" to the shallow side of the point of first slope change. -Different methods and precautions may be dictated by various ground conditions. This is to be determined by and is the responsibility of the contractor who is not an agent of the manufacturer of the component parts. -Installation is to be done in accordance with all federal, state and local building codes, as well as A.N.S.I./N.S.P.I. suggested standards. -BOTTOM SPECIFICATIONS MUST MEET OR EXCEED A.N.S.I./N.S.P.I./A.P.S.P. RECOMMENDED STANDARDS. -NO DIVING signage must be permanently attached to the entire perimeter of the pool. See instructions with signage. -IT IS RECOMMENDED TO NOT INSTALL DIVING BOARDS AND/OR SLIDING EQUIPMENT ON RESIDENTIAL POOLS. IF DIVING BOARDS AND/OR SLIDING EQUIPMENT IS INSTALLED BY THE CONTRACTOR, SUCH DIVING BOARDS AND SLIDING EQUIPMENT MUST BE INSTALLED WITHIN THE GUIDELINES ESTABLISHED BY ANSI/NSPI/ASPA RECOMMENDED STANDARDS, AND IN ACCORDANCE WITH ALL APPLICABLE STATE AND LOCAL CODES AND REGULATIONS.

