

RENAISSANCE OVAL POOLS

POOL ASSEMBLY AND INSTALLATION INSTRUCTIONS

THINK "SAFETY FIRST"

Safe and correct use of your new pool means swimming and wading only. **DO NOT DIVE OR JUMP!** The above-ground pool is not designed for these activities!

INSTALLATION

Installation of your new pool is not very hard, but it is a big job. The job will be easier if two or three friends help with the installation. Follow all instructions exactly. Your pool warranty is void if pool assembly and installation instructions are not followed 100%. Read all instructions provided with accessories such as filter, pump, skimmer, etc. prior to starting.

Plan 3-5 days for pool assembly and installation. Avoid windy days. Before you start, check to see that you have the correct number of parts. Use your Parts List, which is broken down by carton. Do not throw away any of the inspection slips or cartons until you are sure you have all the parts. Your dealer will promptly replace any missing parts.

The warranty is void if the design of the pool is altered in any way. No changes may be made to any of the parts. The pool must be assembled according to Doughboy's instructions. You must be completely satisfied with the completed pool installation, whether self-installed or professionally installed, before proceeding with additional landscaping.

CONTRACT INSTALLATION

Hll is in no way affiliated with any professional pool installer. Therefore, Hll can assume no responsibility for errors in installation by the homeowner or said professional installer. If you have the pool installed by others, please supervise to be sure they comply with proper installation techniques as shown.

LOCAL CODES

Check to see if building permits or utility clearances are required. (for example - National BOCA Code requires the pool to be a minimum of six feet from the property line and a minimum of ten feet from the street). Obey all safety codes for fencing and all electrical codes.

SPECIAL CARE

Hll pools are designed to exceed industry recommended safety factors. However, special care must be taken with certain installation procedures that the installer performs and controls.

1) **Framework must be level** - Referring to "Installation Cautions", six pool installations illustrate improper methods of installation or errors during the leveling of the ground (Step 2) or positioning of the patio blocks (Step 10). The entire pool framework must sit on flat (level) ground. An out-of-level condition will produce stresses in the pool structure and/or deformities in the wall that could cause pool wall failure.

2) **Wall joint** - This is where the wall joins together. Damage to the wall joint reduces the safety factor and can result in a weak installation. Follow instructions using extreme care.

3) **Cove** - The cove keeps the liner from creeping out from under the pool wall. Follow instructions to the letter. Don't short-cut or substitute materials. Do not use materials that will shift. Improperly installed pools can rupture, allowing thousands of gallons of water to rush out and cause extensive property damage and personal injury.

4) **Set up pool on soil surface. For approved Below-Grade Installation Instructions, see your local dealer.**

Hll pools are not designed to be installed below-grade (buried) using these instructions but must be used in conjunction with the **Below-grade installation instructions**. Outside ground forces can collapse the pool wall.

5) **External Support** - The excavation and use of 8" x 8" x 16" concrete blocks (Steps 5-8) to reinforce the side supports is a critical structural detail which cannot be varied from instruction. These blocks and the firm undisturbed soil around them become the load bearing components for the forces on the pool sides. **DO NOT** substitute other building materials for the concrete blocks.

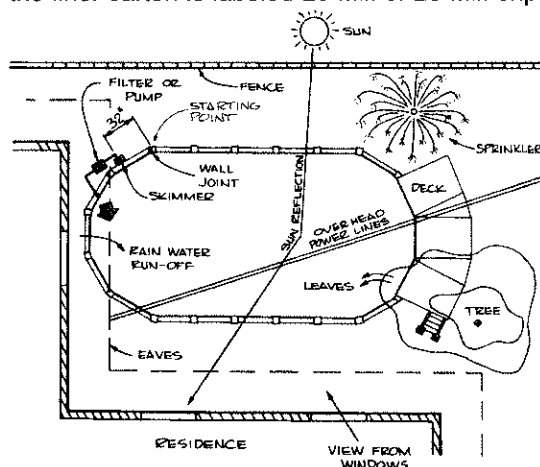
HOW TO USE THESE INSTRUCTIONS

These installation instructions are used in conjunction with your pool parts list for identifying parts as referred to in each step. Your pool can be excavated for a deep swimming area if the liner carton is labeled 20 Mil. or 25 Mil. expandable (see Step 3).

PRELIMINARY PLANNING

IMPORTANT: Before beginning your pool installation, take a few minutes to consider the following points:

1. Check wall clearances to allow enough working area for your pool installation.
2. Check for easements.
3. Avoid trees and roots; do not allow leaves to fall into the pool.
4. Avoid overhead power lines.
5. Avoid underground piping and cables.
6. Keep sprinklers away from pool sides.
7. Select a pool site that allows for the proper supervision of swimmers as well as viewing children near the pool.
8. Position the pump and filter near convenient electrical outlets.
9. Avoid overhanging eaves to prevent water and debris runoff from your roof.
10. Allow 12 inches of undisturbed soil around your pool (clearance radius).
11. No sudden slopes within 6 feet of your pool.
12. Do not install your pool on any abrasive area such as concrete, asphalt, peat moss, tar paper, gravel, wood, top of grass or on soil which has recently undergone petroleum based chemical treatments.



13. Treat the ground inside the pool area with a non-petroleum based fungicide (available at garden supply shops). This may help prevent fungus stains on the liner. Consult your local pool dealer.
14. Do not install liner on nut grass or Bermuda grass. See your dealer for special instructions.
15. Rid pool area of burrowing pests and insects such as gophers and termites.
16. Avoid windy days during installation.
17. Have 2 or 3 helpers to assist you during pool assembly.

TOOLS AND MATERIALS REQUIRED

Materials Needed -

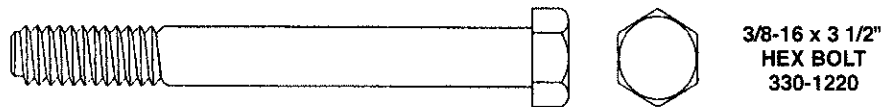
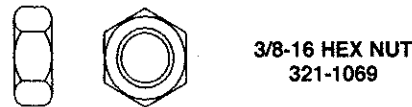
- Nails - 2 1/2" Long (1 Doz.)
- 12" x 12" x 2" patio blocks (Optional)
 - 12 req'd for 32' x 16'
 - 14 req'd for 34' x 18'
 - 16 req'd for 41' x 21'
- 8" x 8" x 16" concrete blocks
 - 8 each for 32' x 16'
 - 8 each for 34' x 18'
 - 10 each for 41' x 21'
- Quick Set Cement (60 lb. Bags)
 - 4 (dry weight) for 32' x 16'
 - 4 (dry weight) for 34' x 18'
 - 5 (dry weight) for 41' x 21'
- Ball of heavy string
- Spring Clamps - 3" size (Stretch-in liners only) - available from your local hardware store.
 - 40 req'd for 32' x 16'
 - 44 req'd for 34' x 18'
 - 52 req'd for 41' x 21'
- 2" x 4" board (See Step 2 for length)
- Duct tape (2" wide)
- Wood stakes - 2" x 2" x 18" (approx. 12)
- Enamel, fast drying (Not lacquer) (Step 13)
- Pool coving (See Step 19)

Tools Required

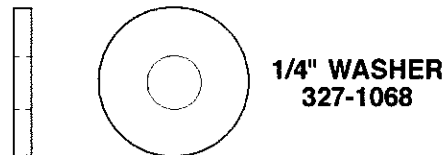
- 2' Carpenters level (Transit recommended)
- Hammer
- Flat end shovel
- 5/16" Hex nut driver
- 25' Tape measure
- Garden rake
- Tamping tool
- Roller (If available)
- Screwdriver, flat end (Large)
- 2 or 3 Garden hoses (Fill pool)
- Two 7/16" wrenches
- Two 9/16" wrenches
- Felt tip marking pen
- Carpenters saw
- Sifting screen (To remove 1/8" pebbles and larger)
- Sharp knife or single edge razor blade
- Pliers
- Drill/Bit (See Step 2)
- Small paint applicator (Q-Tip or brush)

POOL FASTENER IDENTIFICATION

Your pool assembly may not require all the fasteners shown below. Refer to your Pool Parts list for the fasteners required to assemble your pool.



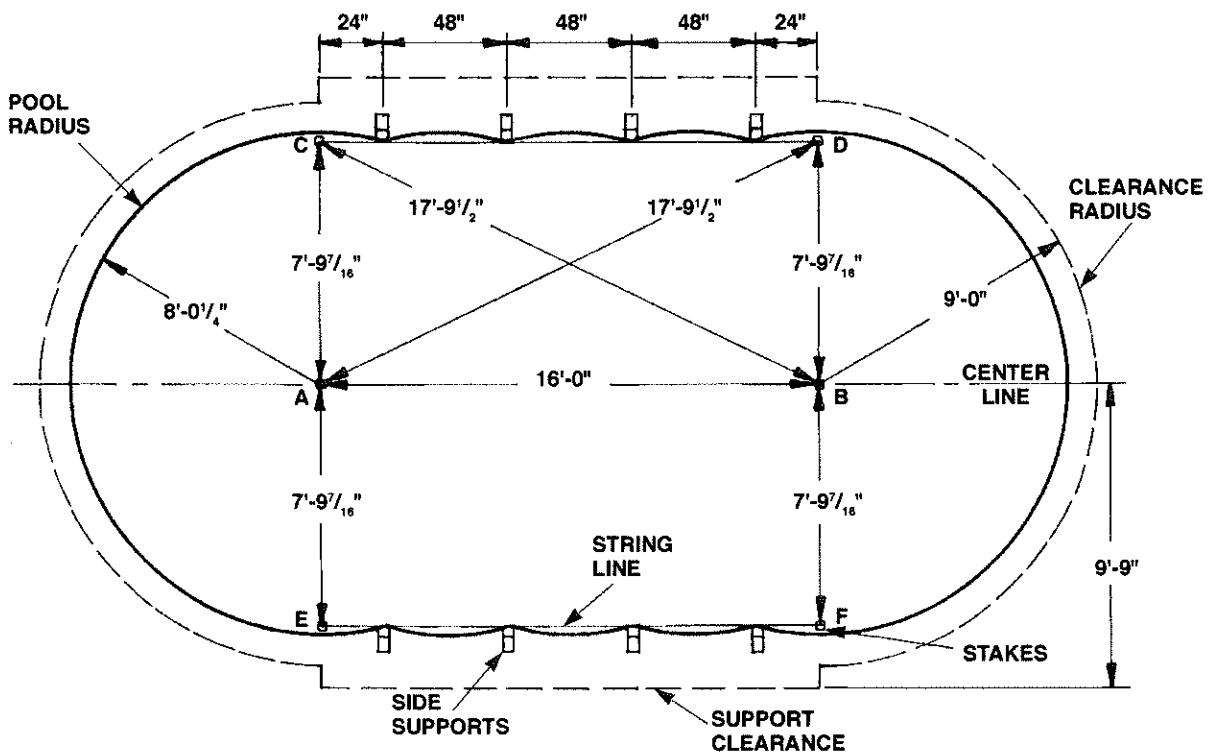
ROUND END HARDWARE



POOL LAYOUT DIMENSIONS

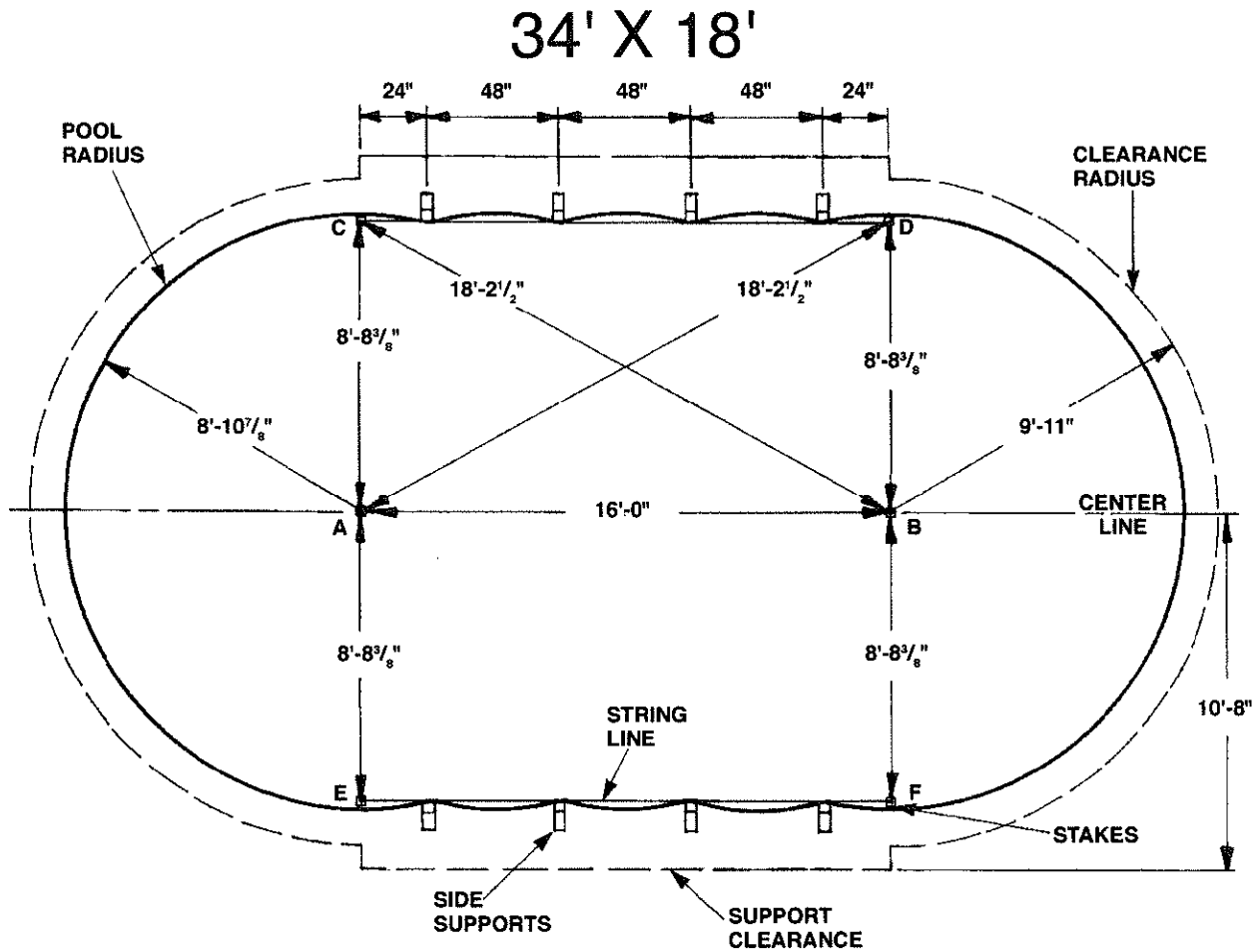
Numbers across the top represent the pool size in feet (length and width) of Hll oval above ground family pools. Below each size is a plan of that pool with a clearance radius (dash lines) which is required for external pool parts. If a deep swimming area excavation is desired, additional layout dimensions are given in Step 3. Be sure to read "Preliminary Planning" before starting installation.

32' X 16'



POOL LAYOUT DIMENSIONS

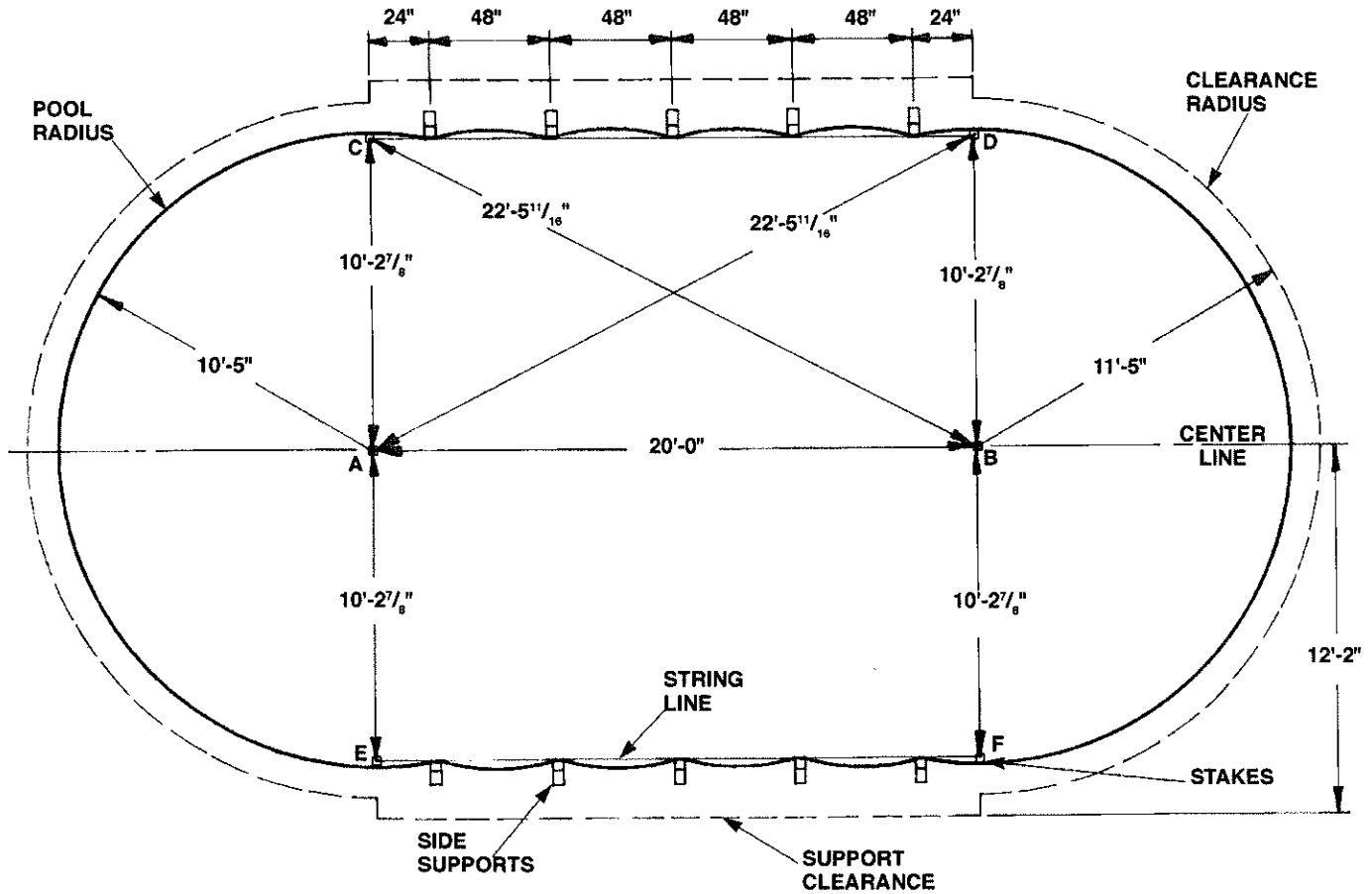
Numbers across the top represent the pool size in feet (length and width) of HII oval above ground family pools. Below each size is a plan of that pool with a clearance radius (dash lines) which is required for external pool parts. If a deep swimming area excavation is desired, additional layout dimensions are given in Step 3. Be sure to read "Preliminary Planning" before starting installation.



POOL LAYOUT DIMENSIONS

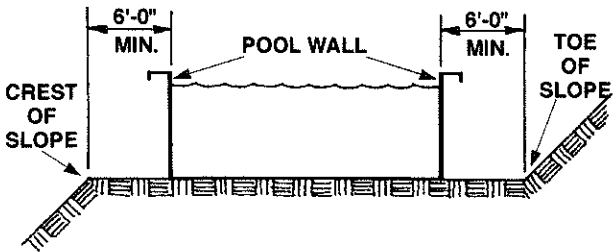
Numbers across the top represent the pool size in feet (length and width) of HII oval above ground family pools. Below each size is a plan of that pool with a clearance radius (dash lines) which is required for external pool parts. If a deep swimming area excavation is desired, additional layout dimensions are given in Step 3. Be sure to read "Preliminary Planning" before starting installation.

41' X 21'



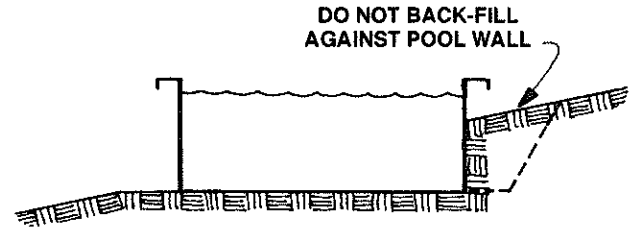
INSTALLATION CAUTIONS

ATTENTION: HII Pools can be installed below-grade by using HII's Below-Grade Installation Instructions. See your local pool dealer.



INSTALLATION NEAR SLOPES

A pool filled with water weighs many tons. If pool is installed too close to the "Crest" of a slope, the pool/water weight could cause the ground to give way. The pool can rupture, allowing thousands of gallons of water to rush out and cause extensive property damage and personal injury. Consult with local building department. If pool is installed too close to the "Toe" of a slope, outside collapsing ground forces can collapse the pool wall.

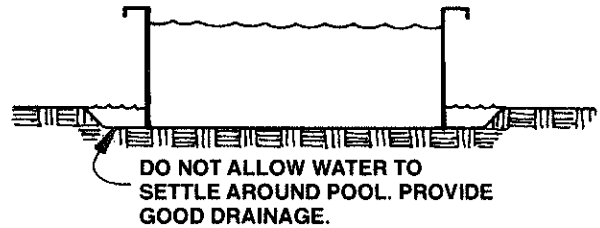


DO NOT BACKFILL AGAINST POOL WALL

Back-filling against the pool wall can cause outside ground forces to collapse the pool. Some soils are highly aggressive and will corrode the pool components, resulting in pool failure. Keep pool exterior clear of soils and other materials around its entire perimeter. Provide good drainage away from pool.

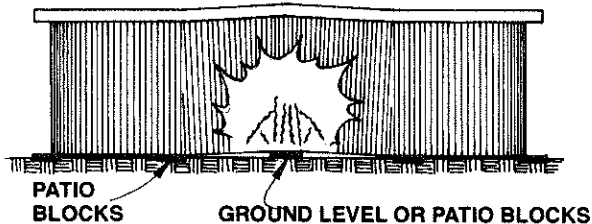


HII POOLS CAN BE INSTALLED BELOW GRADE WHEN USING SPECIAL BELOW GRADE INSTRUCTIONS Deep burial of pool into the ground can cause outside ground forces to collapse the pool unless special provisions are made using HII's Below-Grade Installation Instructions. See your local pool dealer.



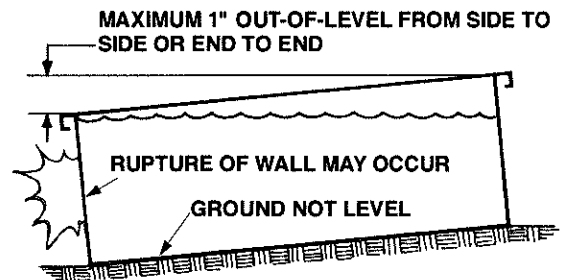
PROVIDE GOOD DRAINAGE

Prevent run-off rain water and general yard watering from settling against the pool frame and wall to prevent corrosion and unsightly crustation build-up on the pool components. Provide good drainage away from pool.



WALL WRINKLING

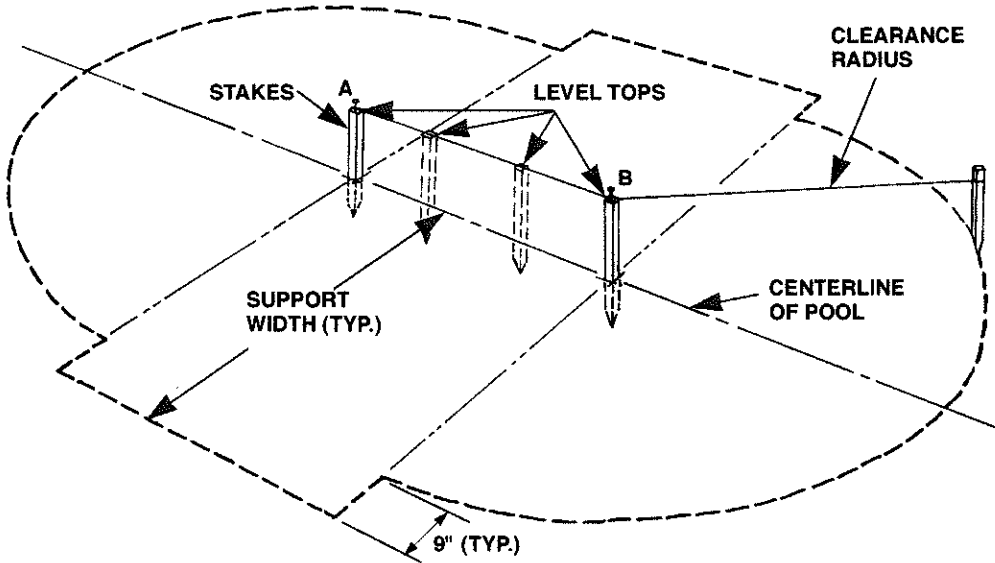
Prevent wrinkling of the pool wall during installation by checking and rechecking the levelness of the ground and patio blocks (Optional) at each vertical (Steps 2 and 10). If one patio block is higher than those positioned at each side, wrinkling of the wall will occur when wall is installed.



TILTED POOL

If the ground level slopes in any direction more than 1" from one side to the other or 1" from one end to the other, the wall may rupture causing extensive property damage and personal injury. Follow Step 2 carefully, rechecking levelness of ground before proceeding to next step.

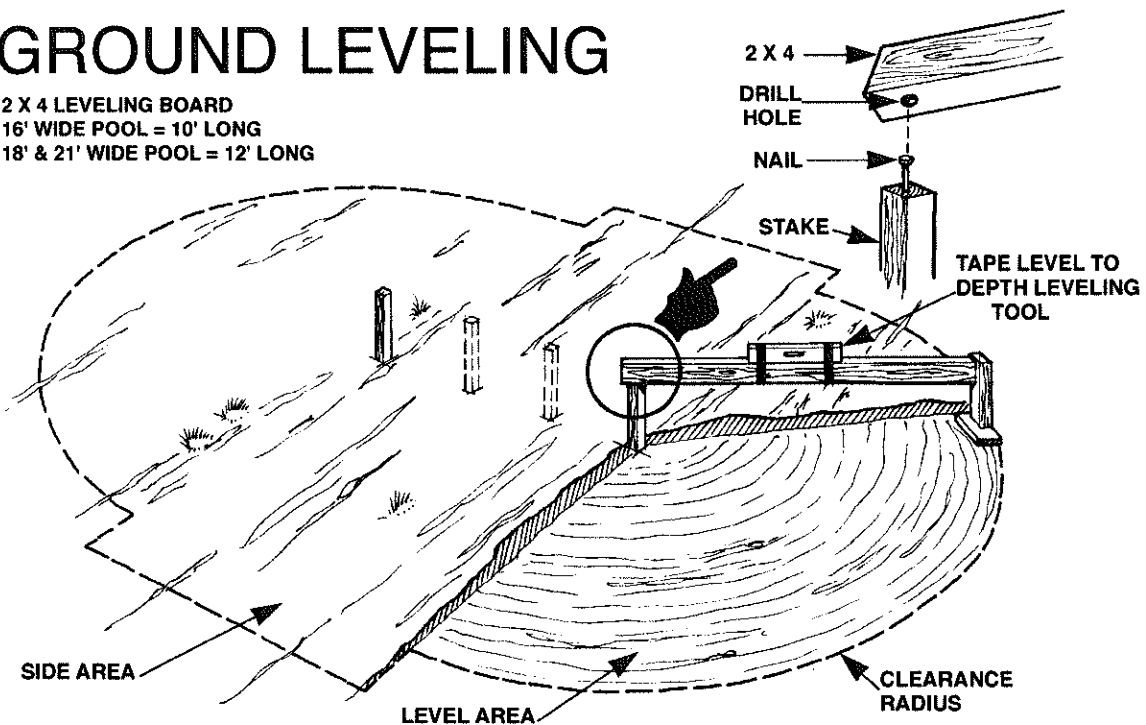
1 POOL LAYOUT



Refer to Pool Layout Dimensions for your pool size. Locate stakes A and B. Level tops with long 2" x 4" board and carpenter's level. For longer pools, intermediate stakes leveled between stakes A and B may be necessary. Layout clearances as shown.

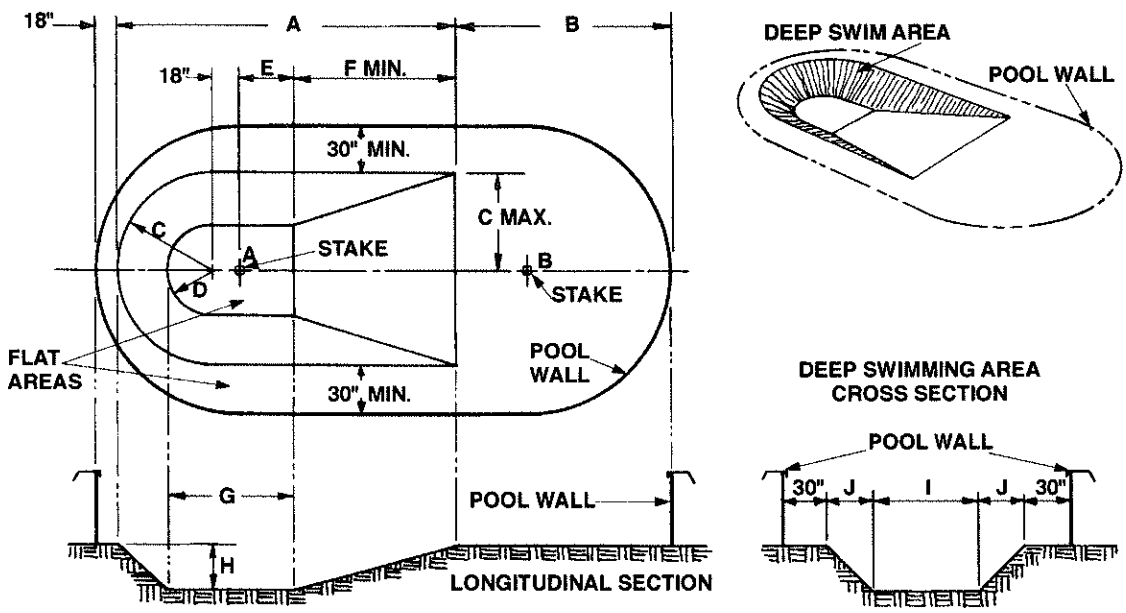
2 GROUND LEVELING

2 X 4 LEVELING BOARD
 16' WIDE POOL = 10' LONG
 18' & 21' WIDE POOL = 12' LONG



With a shovel and the constructed depth leveling tool shown above, remove sod and level pool area. Level to the *lowest* spot within pool area. Level side areas to main pool area. **Remove high points - do not fill in low spots. Ground must always be firm.** Be sure pool area is free of stones, sticks, roots and other objects that could puncture liner. **Remember:** The entire assembled pool framework must sit on flat ground within 1 inch of level at opposite sides. Spend additional time now to avoid disassembly later.

3 OPTIONAL SPECIAL PURPOSE DEEP SWIMMING AREA ONLY

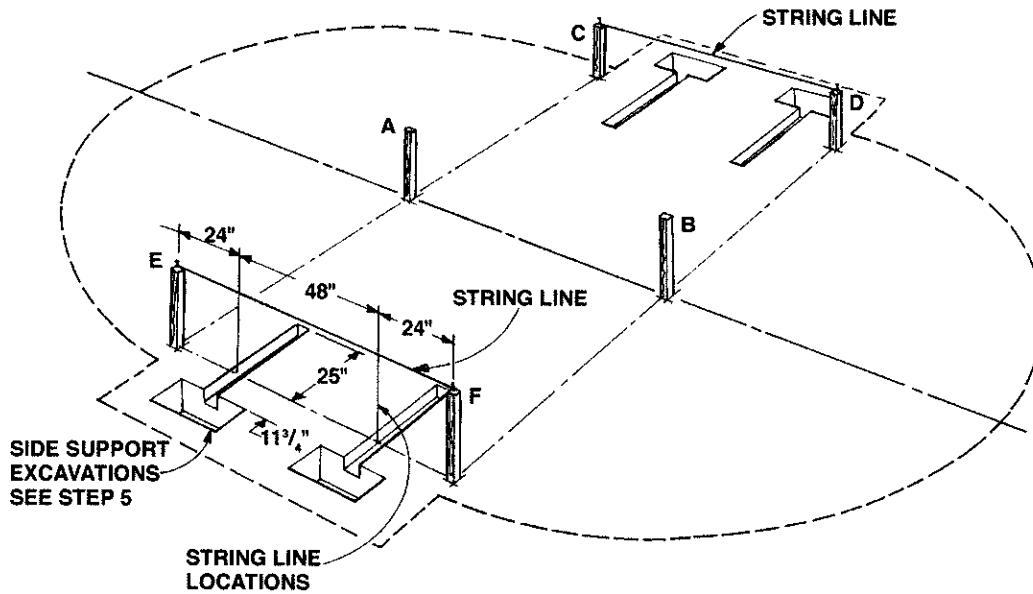


ONLY 20 MIL. LINERS OR THICKER - You may decide to excavate a deep swimming area as shown above. **The Deep Swimming Area is for underwater swimming only, NO DIVING, NO JUMPING.** To excavate the deep swimming area, use the layout illustrations above, along with the measurements from the chart for your size pool.

POOL SIZE			
FIGURE	32' X 16'	34' X 18'	41' X 21'
A	19'-6"	21'-6"	25'-6"
B	11'-0"	11'-0"	14'-0"
C	5'-0"	6'-0"	7'-6"
D	2'-0"	3'-0"	4'-6"
E	4'-0"	5'-0"	7'-6"
F	9'-0"	9'-0"	9'-0"
G	7'-6"	9'-6"	13'-6"
H	3'-0"	3'-0"	3'-0"
I	4'-0"	6'-0"	9'-0"
J	3'-0"	3'-0"	3'-0"

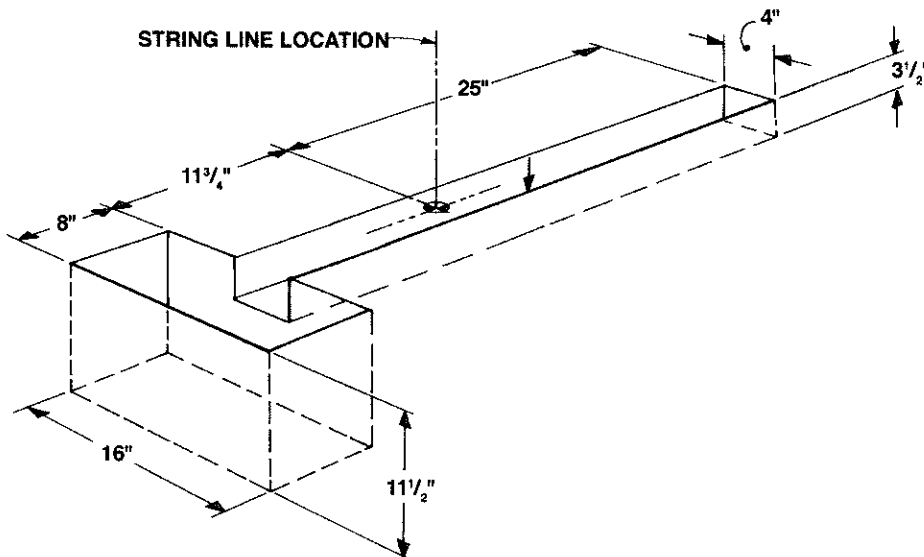
Using either stake 'A' or 'B' as your reference point, lay out and excavate area to the dimensions shown in the above chart for your size pool. Remember **DO NOT DIVE OR JUMP** into the pool. The excavation is intended to provide a deeper and wider swimming area only.

4 STAKES AND STRING LINES



Locate Stakes C, D, E and F from your pool layout. Attach strings between C and D, then E and F. The first side support excavation is positioned 24" from the center of either stake to the center of the excavation. Other side support excavations are 48" center to center.

5 SIDE SUPPORT EXCAVATIONS



Carefully dig out the side support trenches following the dimensions above. It is very important that the trench walls remain firm and undisturbed during and after excavation. **DO NOT** over-excavate with the thought of back-filling later because the side supports will move when pool is filled, and pool failure may result.

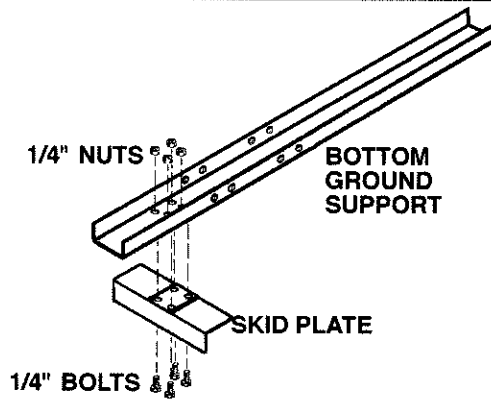
When digging is completed, proceed to FIG. A and partially assemble the side vertical supports.

FIG. A EXPLODED SIDE SECTION

Partially assemble the side vertical supports following Steps 1 through 4.

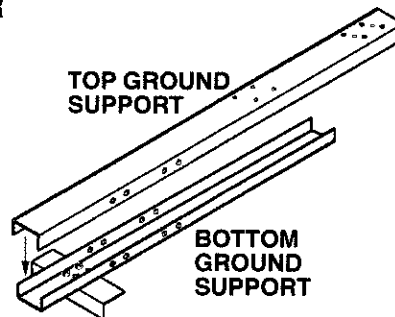
1 ATTACH SKID PLATE

Attach the skid plate to the bottom ground support using four (4) 1/4" bolts and nuts as shown. Tighten securely using two 7/16" wrenches.



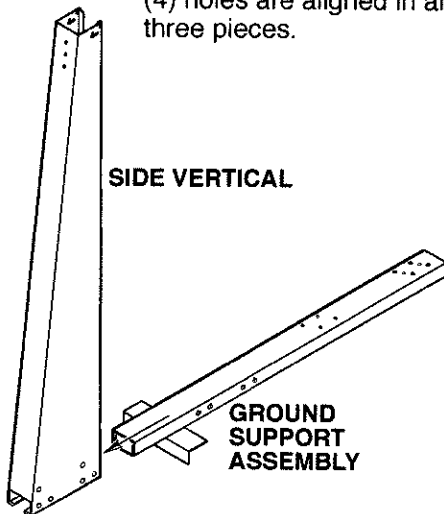
2 SLIDE SUPPORTS TOGETHER

Position the top ground support over the bottom ground support and lower it to enclose the bottom ground support.



3 SLIDE SUPPORTS INTO VERTICAL

Slide the ground supports into the side vertical until the four (4) holes are aligned in all three pieces.



4 FASTEN VERTICAL TO GROUND SUPPORTS

Fasten the vertical using four (4) 3/8" bolts and nuts as shown.

Tighten securely using two 9/16" wrenches. DO NOT ASSEMBLE ANY OTHER PARTS AT THIS TIME.

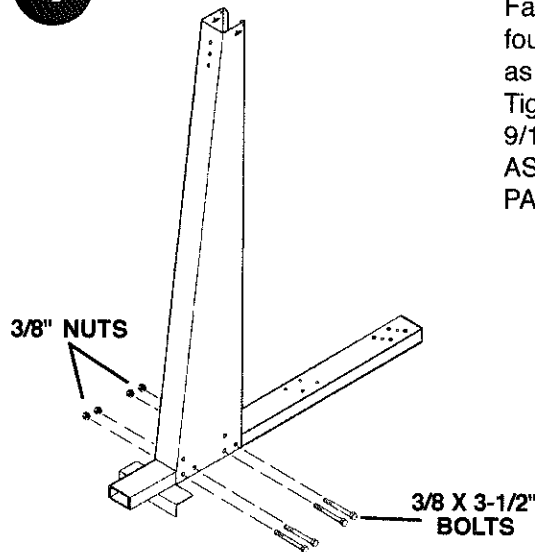
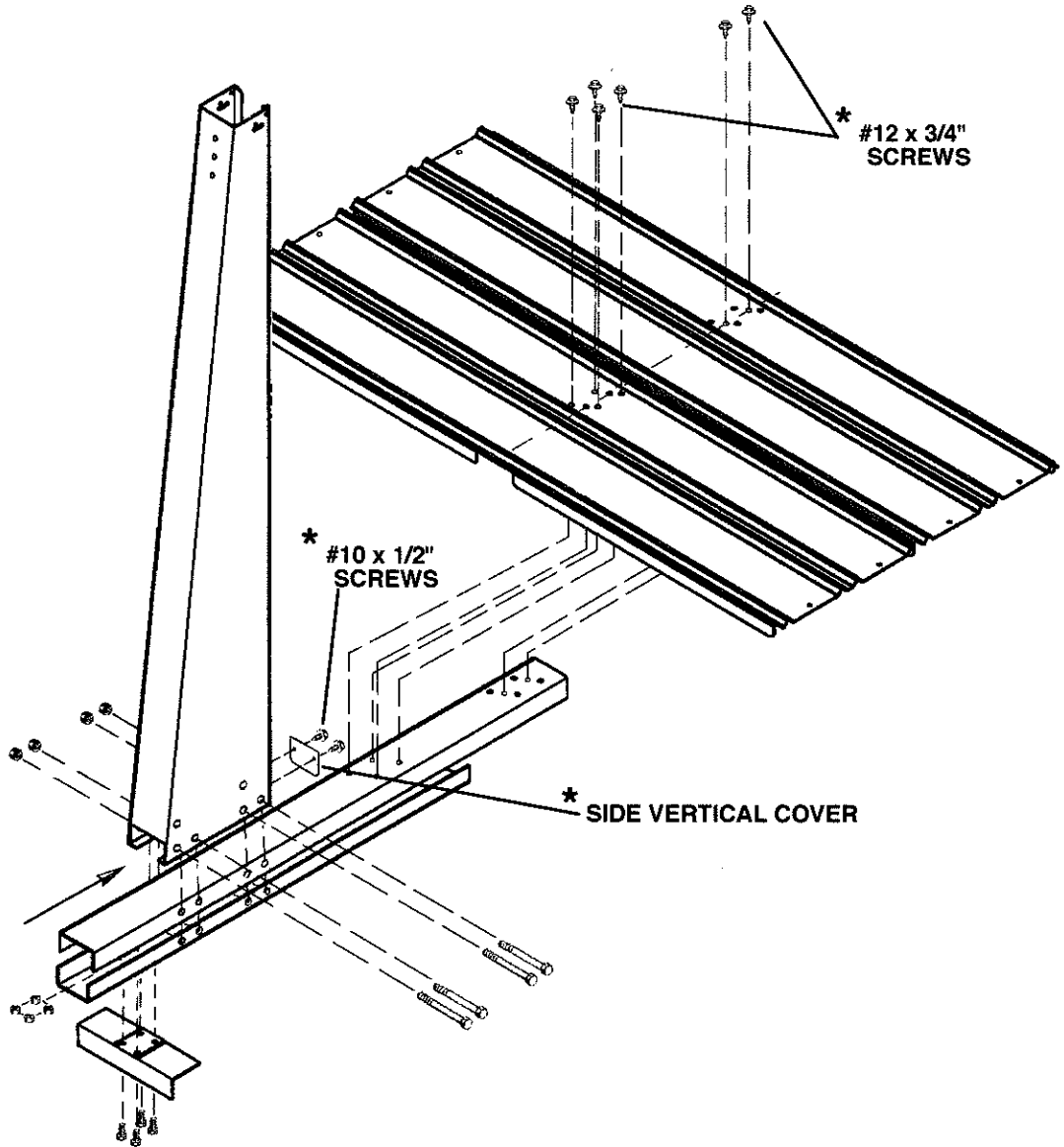


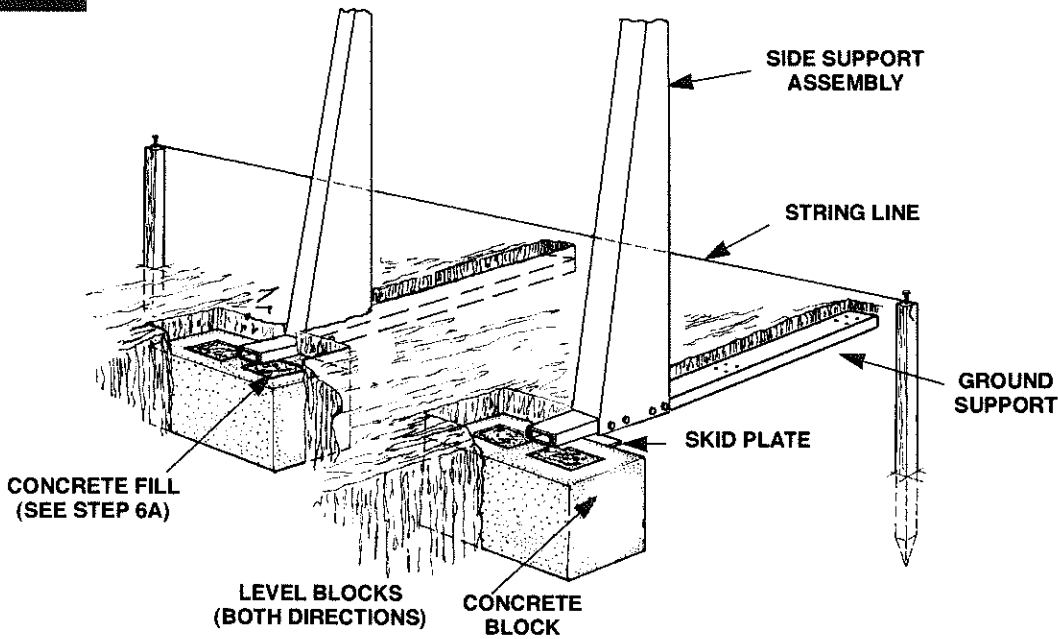
FIG. A con't

**COMPAC II
COMPLETE SIDE VERTICAL ASSEMBLY**



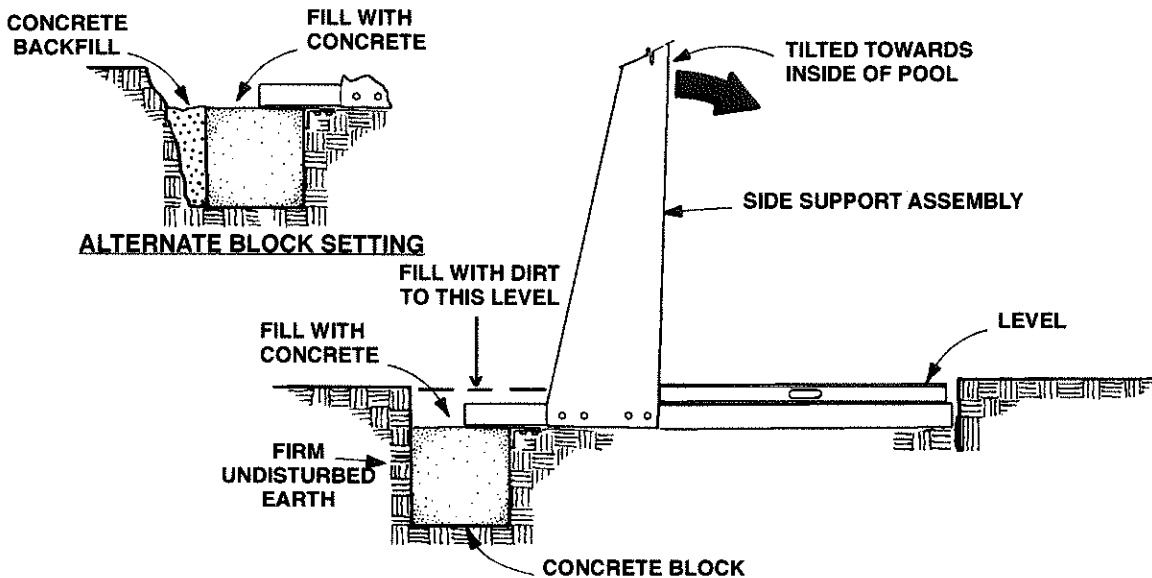
*** TO BE ASSEMBLED LATER IN STEPS 8 & 9.**

6 INSTALL CONCRETE BLOCKS



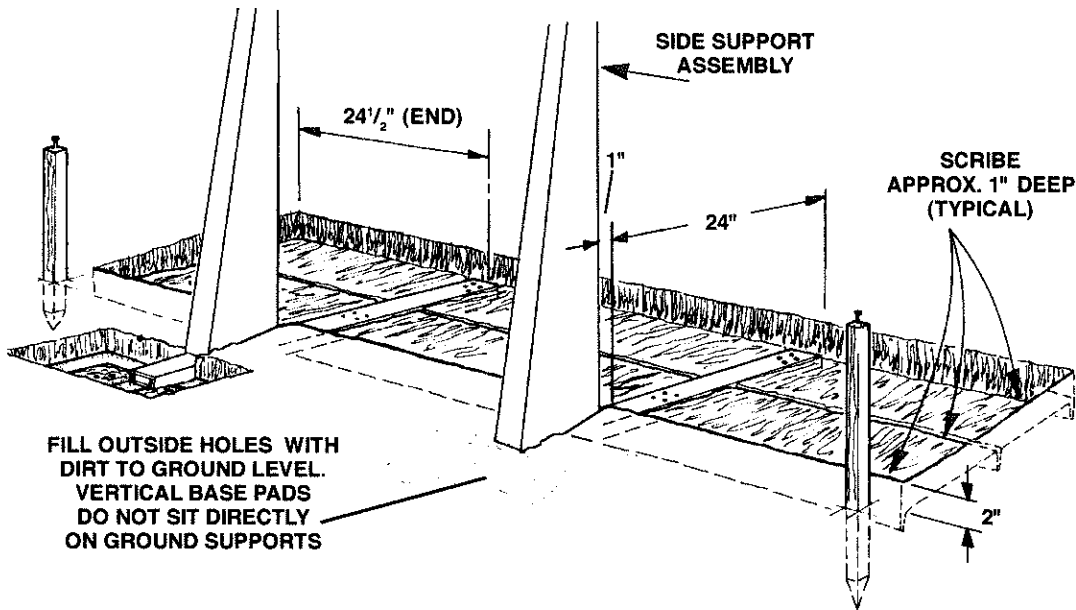
Remove string line. Place concrete blocks into the excavations as shown. **NOTE:** The thicker wall side of the cement blocks must face up. Level the blocks in both directions. Place the assembled side supports into each trench with skid plate resting firmly against the face of the concrete blocks. Check each ground support for level (refer to Step 6A).

6A INSTALL CONCRETE BLOCKS



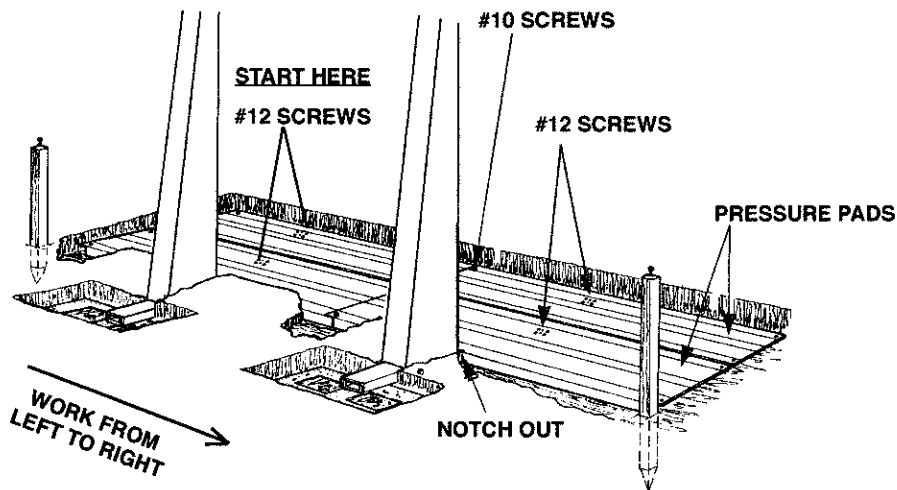
Position a 24" carpenter's level on top of the ground supports. Adjust the side vertical assemblies until the ground supports are level. When ground supports are level, the vertical will be TILTED-IN at the top to provide a "pre-load" condition so that when the pool water pressure is against the wall, the sides will move outward and become vertical. Without this pre-load, the wall would tilt outward at the top and create a curve in the top rails. **Fill concrete blocks with concrete mix and level with top of blocks. If you have over-excavated, fill any space behind the blocks with concrete. See ALTERNATE BLOCK SETTING above.**

7 DIG OUT FOR PRESSURE PADS



Dig out a trench to the dimensions shown above, grading to the ground support. Use a large screwdriver to scribe grooves (approximately 1" deeper) down each side and center of the trench to accommodate the pressure pads' flanges. Remove the excess dirt accumulated from scribing.

8 INSTALL PRESSURE PADS

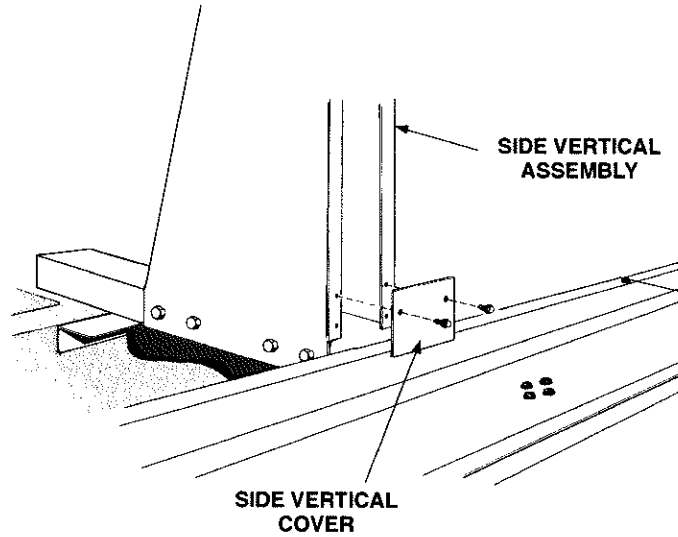


Keep the tops of the ground supports free of dirt. Working from left to right, assemble a set of pressure pads to each ground support using six (6) #12 x 3/4" screws as shown in Fig. A, (refer to your parts list as needed). Tighten screws firmly. Assemble each pressure pad set to its adjacent set using four (4) #10 x 1/2" screws. **DO NOT OMIT ANY SCREWS.**

The skid plate at the bottom of the side support assembly must fit firmly against the concrete block and the pressure pads must be flat on the ground with the flanges pointing down into the scribed grooves.

9

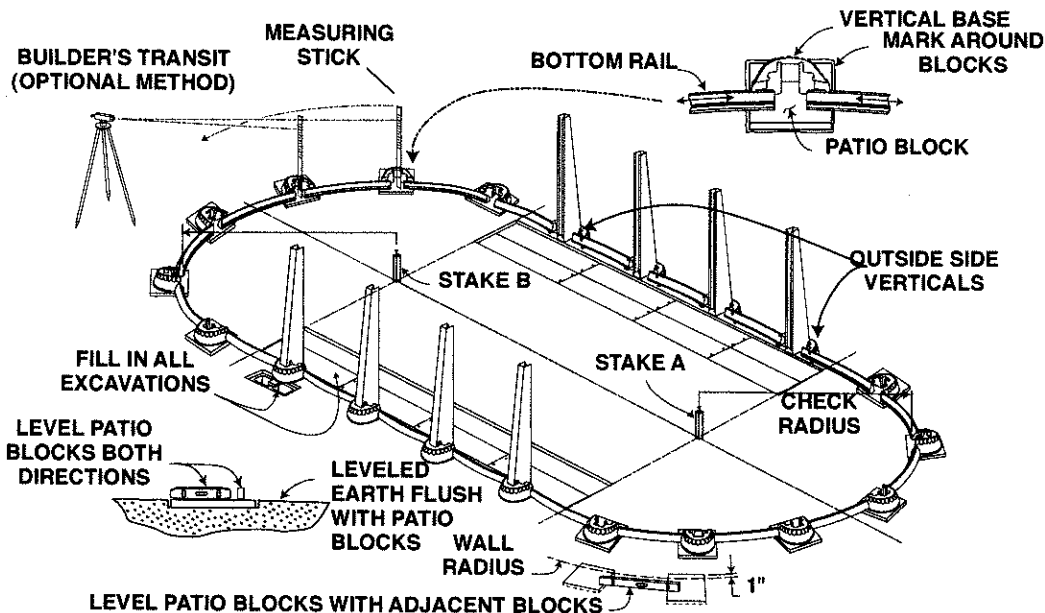
INSTALL SIDE VERTICAL COVERS



Locate the side vertical covers in your main assembly pack. Secure them to the side verticals using #10 X 3/8" screws. Be sure to use the top set of holes in the side verticals when assembling the vertical covers.

10

INSTALL BOTTOM RAILS (32' x 16' Pool Shown)



With the pool site leveled, use a tape measure and stick to mark the correct POOL WALL RADIUS (see POOL LAYOUT DIMENSIONS). Tie a string to stakes "A" and "B" and fasten a stick to the string at the marked location. Swing the stick to mark out the pool wall end radii with the stick. Begin ends of framework by temporarily installing vertical bases at the outside side vertical locations. Complete ends by assembling bottom rails between all vertical bases. Verify roundness by measuring from Stakes "A" and "B" to various points on the round end framework. Adjust the framework as required to match the correct pool radius for your size pool. Be sure that the end engagement of bottom rails into vertical bases is consistent around the pool.

CONTINUED ON NEXT PAGE

10 INSTALL BOTTOM RAILS (CON'T)

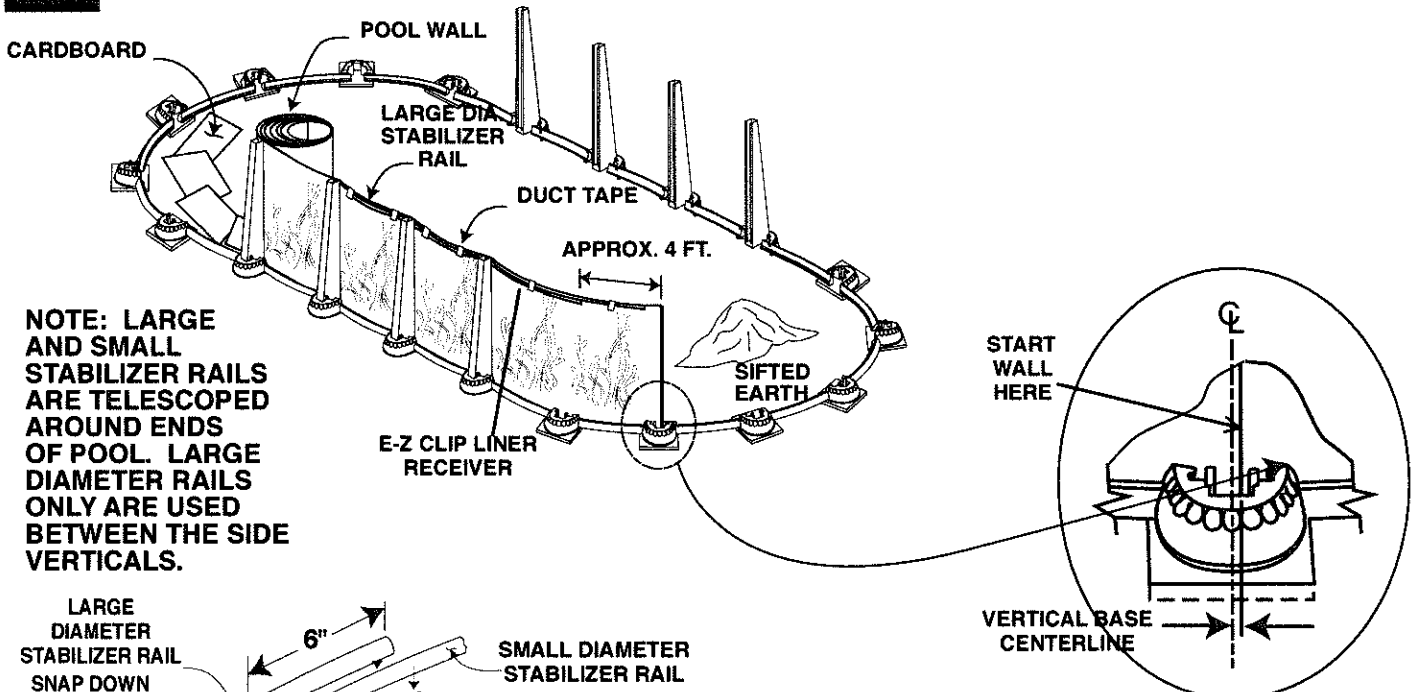
Patio Block Installation: With the bottom framework assembled, slide 12" x 12" x 2" patio blocks under each vertical base as shown. Double-check the radius with a tape measure and adjust the blocks so that their inside edges are within the marked radius by approximately 1 inch. **Be sure that the entire vertical base and bottom rail ends rest on a patio block.** Mark each block's location by scribing a line around each one. After you have marked all block locations, move the framework aside in preparation for recessing the blocks into the ground. Dig soil away to the depth of the patio block. Place patio blocks into excavations. Confirm site and patio block levelness by placing a level on top of the bottom rails, or use a builder's transit to check around the site to be sure that the ground is flat and level within 1 inch from side to opposite side and that all patio blocks are resting at a consistent elevation. **Patio blocks must sit on solid earth with their tops flush with the ground. There should be no rocking motion or movement after blocks are seated.**

NOTE: If you plan to use sifted earth for pool cove (See Step 16), bring it into the pool area at this time.

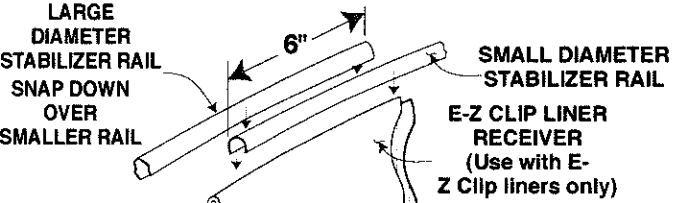
Fill in all side support excavations. Cover pressure pads with approx. 3" of damp sifted earth. Tamp and blend with leveled pool bottom. Reassemble the bottom framework. Install vertical bases and bottom rails between each side vertical as shown. Check again for roundness on pool ends and verify that the vertical bases are centered on the blocks.

NOTE: If you plan to install a maindrain, refer to those instructions BEFORE installing the pool sidewall. Because main drain plumbing will be routed underground to the outside of the pool, it must be installed before the pool wall is assembled.

11 INSTALL WALL (32' x 16' pool shown)



NOTE: LARGE AND SMALL STABILIZER RAILS ARE TELESCOPED AROUND ENDS OF POOL. LARGE DIAMETER RAILS ONLY ARE USED BETWEEN THE SIDE VERTICALS.



START WALL BEHIND ROUND END VERTICAL LOCATION - 1" TO THE RIGHT OF THE VERTICAL BASE'S CENTER

INSIDE POOL WALL

Remove the pool wall from its carton. To remove the wall, stand the carton upright (arrow "Up" on carton) and use a box cutter to cut the bottom from the carton. Lift the box from the pool wall. Check that the "Up" arrow on the pool wall is pointing up. **CAUTION: Always keep hands and feet from under wall during installation.** Determine the preferred starting point of the wall from PRELIMINARY PLANNING. For improved skimmer operation, position the skimmer opening downwind of prevailing winds. The skimmer opening will be at the inner end of the wall coil. To minimize disturbing the leveled pool floor, lay pieces of overlapping cardboard around the pools inside perimeter. **The wall ends must meet behind a vertical location to hide the wall joint and be offset from the base's center to allow complete access to the skimmer's components.** Uncoil about 6 to 10 feet of wall starting behind a vertical base location, **1" TO THE RIGHT OF THE BASE'S CENTER AS SHOWN WHEN VIEWED FROM OUTSIDE THE POOL.** Lift and place the bottom edge of wall into the bottom rail groove. **CONTINUED ON NEXT PAGE**

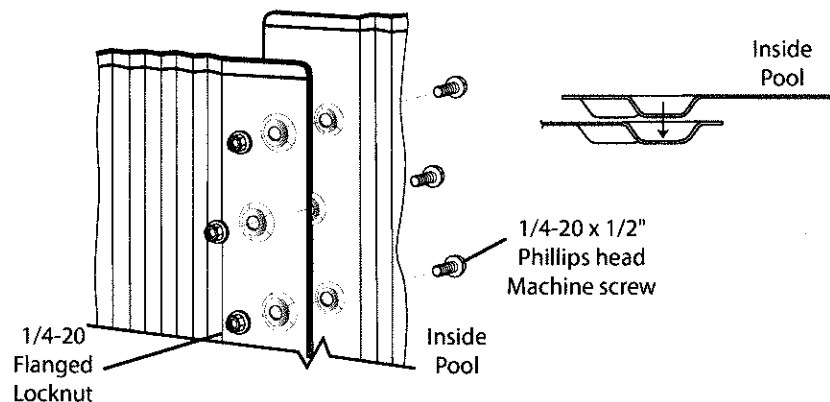
11 INSTALL WALL (CON'T)

After installing a section of wall into the bottom rails, install the E-Z Clip liner receiver (E-Z Clip Liners installations only), and stabilizer rails (all liners) onto the top edge of the pool wall. When installing an E-Z Clip liner, do not install liner receivers on the first and last four feet of the wall. To install the receiver, push it down over the wall edge as shown. Refer to the installation instructions packed with your E-Z Clip Liner for more specific instructions on receiver installation.

All Liners: To install the stabilizer rails, insert the ends of the small diameter stabilizer rails into the ends of the large diameter rails, or snap the large diameter rail over the smaller diameter rail, telescoping them about 6 inches. **E-Z Clip Liners:** Push rails down over the liner receivers as shown and secure them to the wall with duct tape at approximately 4 ft. intervals. **Stretch-in Liners:** Push rails down over the pool wall and secure them to the wall with duct tape at approximately 4 ft. intervals. **All Liners:** Work your way around the pool in this manner and bring the wall ends together. **NOTE: The stabilizer rails telescope only on the ends of the pool. Use only the large diameter stabilizer rails between the side supports (these do not telescope).**

E-Z Clip Liners: Remember not to install receivers on the first and last 4 feet of the wall. However, to aid wall stability, you may need to temporarily install stabilizer rails at those locations. **All Liners:** Adjust all bottom rails in or out uniformly if the wall ends don't meet. **DO NOT make the total adjustment with one or two bottom rails.**

12 WALL JOINT



Bring wall ends together in center of the vertical base. If wall ends do not meet, adjust all bottom rails in or out uniformly as required. Do not make the total adjustment with one or two bottom rails. Remove stabilizer rails in the areas above the pool wall ends.

Overlap and align holes on wall ends and attach using hardware supplied. Insert 1/2" long screws with the screw head to the inside of the wall. Loosely attach all the screws and nuts first, then tighten them securely. File off any sharp burrs on the screw heads, then place the wall protective strip over the screws and secure with duct tape. Hll cannot assume responsibility for performance of this product if the joint has been improperly attached. When wall is bolted together, re-install stabilizer rails.

Recheck pool roundness.

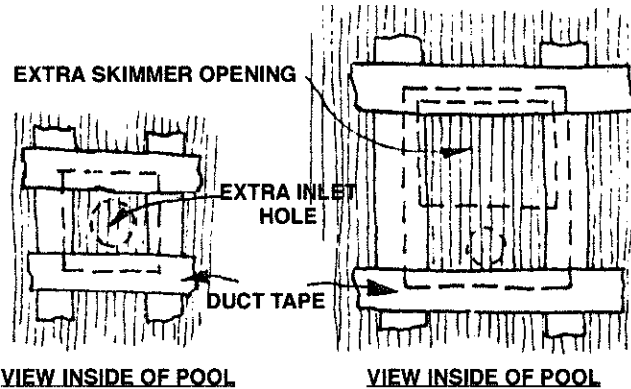
Measure from center stake to pool wall, adjust pool wall until all distances are equal. Be careful not to damage bottom rails.

E-Z Clip Liners: Install the remaining liner receivers. You will need to trim the last receiver to fit. Mark it with a pencil and cut it to the correct length using a hacksaw. Remove any burrs before installing. **All Liners:** Install the remaining stabilizer rails.

13

COAT OPENINGS (For pools with two skimmer and return openings)

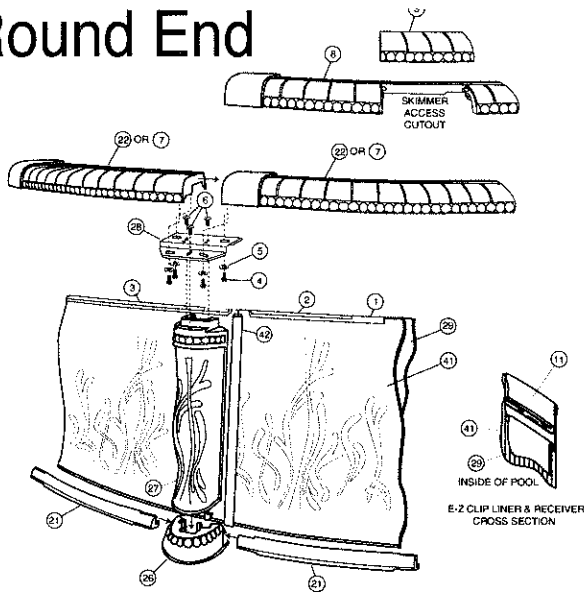
Matching pool wall cover plates are provided with pools that have two skimmer openings. Tape over the extra skimmer and return opening in the event you are only using one skimmer. Use a "Q-Tip" or cotton ball dipped in fast drying enamel to coat all bare metal edges of skimmer opening, return opening and mounting holes. This coating protects edges against corrosion. DO NOT use fingers, as sharp edges may cause serious cuts. Enamel must dry prior to installing liner to prevent damage to liner in contact with freshly painted surfaces.



14

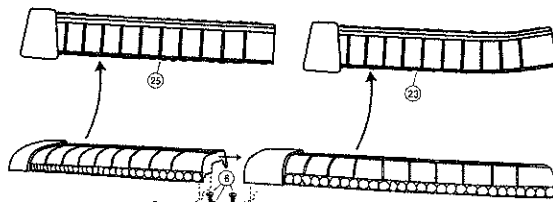
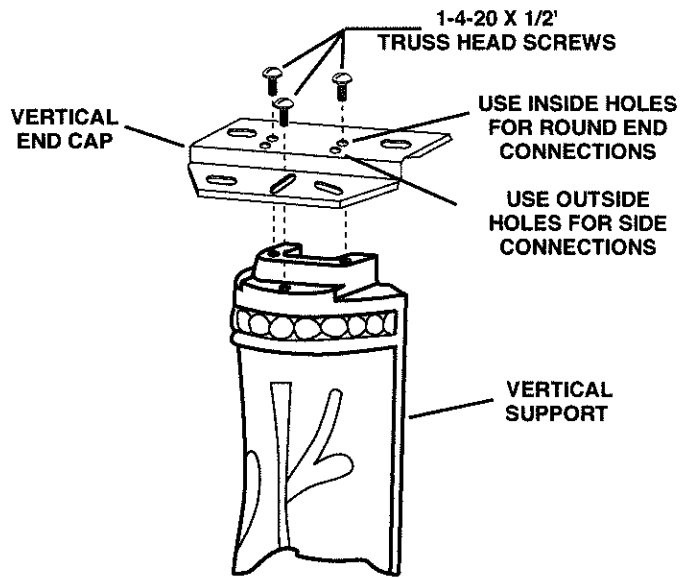
INSTALL VERTICAL SUPPORTS AND END CAPS

Round End

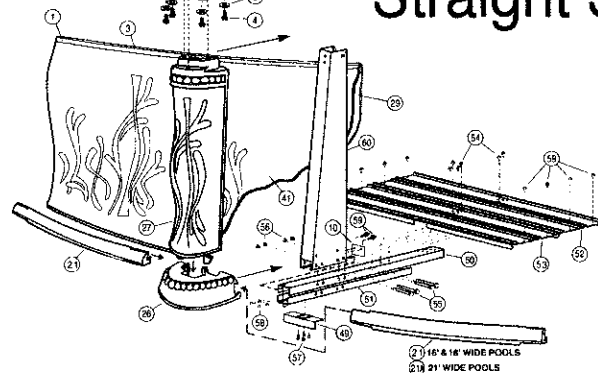


Install the vertical end caps as shown using 1/4-20 x 1/2" Truss Head Screws through the two holes and one slot in each vertical end cap (see Fig. A and illustration above). For the round ends of the pool, use the two holes toward the inside of the pool to attach the vertical end cap to the vertical as shown. Use the outside holes for the straight side connections. Work your way around the pool until all vertical end caps are installed.

Tighten all screws securely. On round ends of the pool, install the verticals by snapping them into the vertical bases as shown. For the side verticals, slide the vertical bases over the steel verticals. Install the molded side verticals by snapping them into their vertical bases. All verticals must rest evenly on their bases. If they don't, check the level of the patio blocks and relevel as needed.



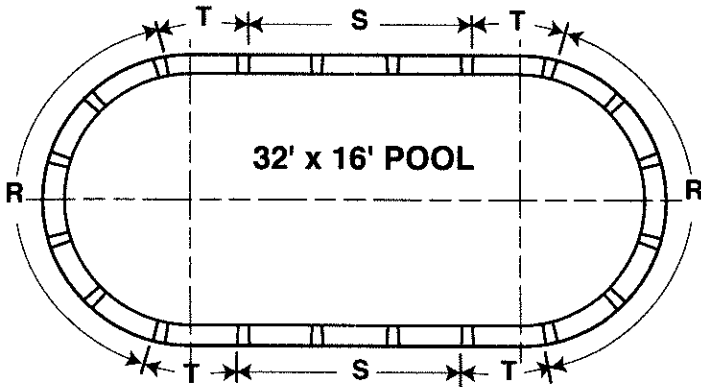
Straight Sides



15 INSTALL TOP RAILS

Lay the top rails onto the verticals one at a time, sliding the small end of each rail under the raised end of the last rail placed. Refer to the diagram below to determine proper locations for the three types of top rails. Completely curved rails (R) are for the round ends. Straight rails (S) fit between the side vertical supports. Transition (T) rails are partially curved and partially straight, and fit between the completely curved and straight rails. To position correctly, center the raised end of each top rail over its respective vertical support.

TOP RAIL LOCATIONS



R = ROUND END TOP RAIL

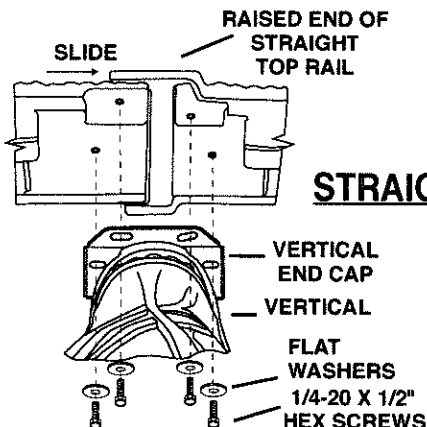
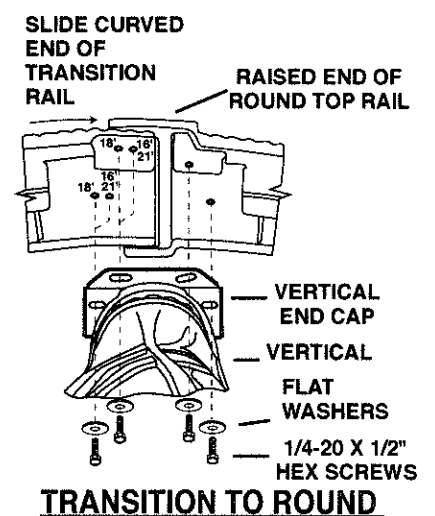
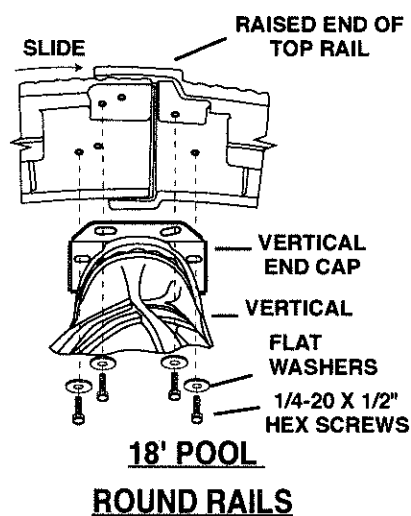
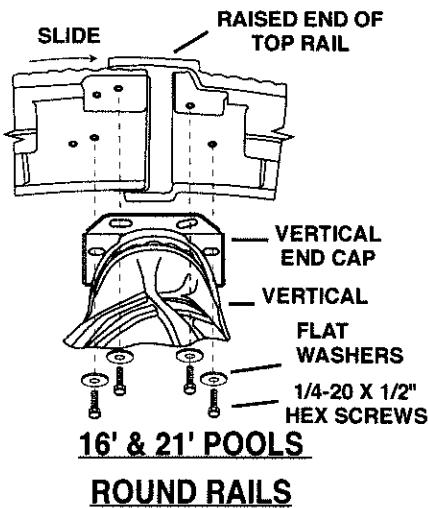
T = TRANSITION TOP RAIL
(curved & straight)

S = STRAIGHT TOP RAIL

- 34' x 18' pools have one more round end top rail on each end of the pool than shown.

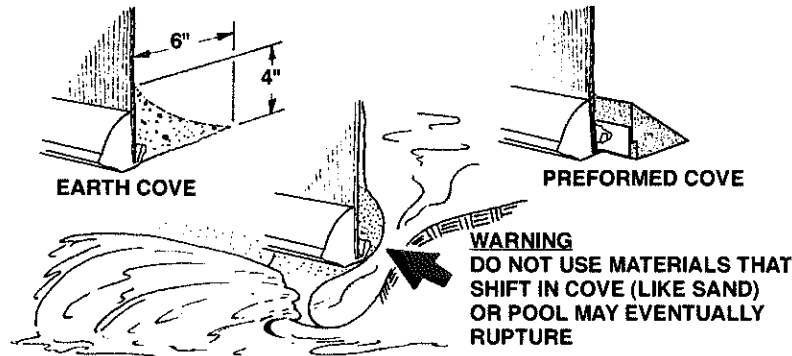
- 41' x 21' pools have two more round end top rails on each end of the pool, and one more side top rail on each side than shown.

Each pool size has a specific hole pattern for mounting the top rails to the verticals as shown below. To assure that you're using the correct holes, refer to the figure that matches your pool size and top rail type. Attach each top rail end to the vertical end caps using two 1/4-20 x 1/2" hex head screws and washers. Push the top rails toward the center of the pool just prior to final screw tightening. **Be sure to use the Skimmer Access Top Rail at the location above the skimmer cutout in the pool wall.** After securing the top rails, it's important to perform a final level check on the framework. Place the level on each top rail, working around the pool to assure that the framework is on flat level ground with opposite sides no more than 1 inch out of level.



VIEW LOOKING UNDER TOP RAILS

16 INSTALL COVE AND FINISH POOL FLOOR



Important Step: The cove is a vital structural element that prevents water pressure from forcing the pool liner out under the bottom rail. The manufacturer will not assume responsibility for pool failure should the cove be omitted.

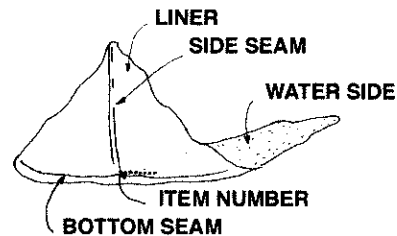
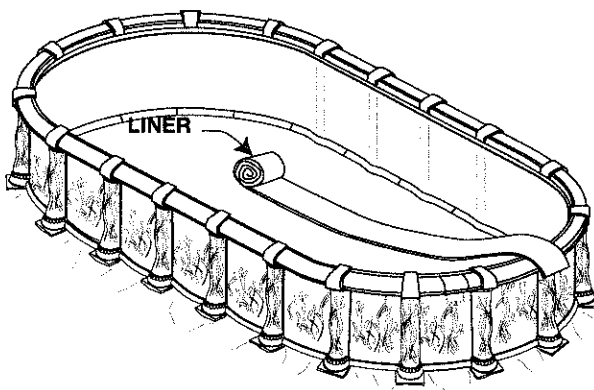
EARTH COVE: Use screened damp earth to form a cove around the inside base of the pool wall as shown above. Shape and compact the earth firmly.

PREFORMED: Specifically designed preformed pool cove is available from your local dealer. Follow the cove manufacturer's installation instructions.

Remove all stakes when done. Check that the frame assembly is complete with all hardware tightened securely. Check the pool floor (area inside pool wall) for levelness. Fill in all slight depressions with sifted earth and tamp. Remove all stones and sharp objects. Fill in all footprints on pool floor.

IF YOU INTEND TO INSTALL AN E-Z CLIP LINER, SKIP STEPS 17 THROUGH 22 AND PROCEED DIRECTLY TO STEP 23 . IF YOU ARE INSTALLING A STRETCH-IN TYPE LINER, PROCEED TO STEP 17.

17 LINER SEAM POSITIONING



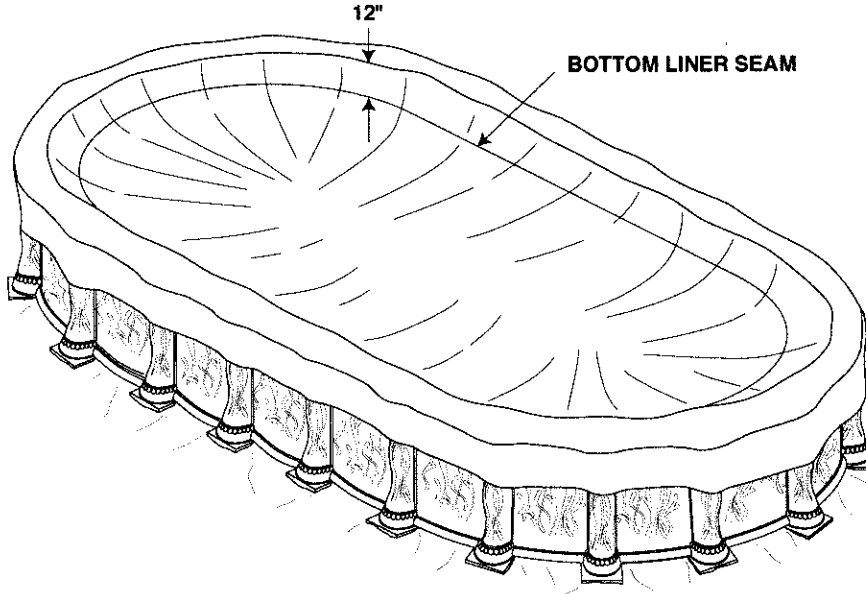
IMPORTANT: BEFORE PROCEEDING TO THE NEXT STEP, MAKE SURE LINER ITEM NUMBER MATCHES THE ITEM NUMBER ON THE LINER CARTON. THE ITEM NUMBER IS LOCATED ON THE SMOOTH SIDE OF THE LINER AT THE INTERSECTION OF THE SIDE SEAM AND BOTTOM SEAM.

Remove all stakes. Check the pool floor (area inside pool wall) for levelness. For excavated pools, check flatness of sloping areas with 2" x 4" board. Fill in all slight depressions with sifted earth and tamp. Remove all stones and sharp objects. Fill in all footprints on pool floor. Remove liner from carton and set it on a top rail (at shallow end if excavated pool). The loose end should overhang outside of pool by about 12 inches. Hold end and unroll liner down middle of pool as you would a carpet. For 16 and 18-foot wide pools, position the center liner section (not the seam) at the center line of the pool. **For excavated pools, the center section of the liner must begin at the shallow end and run along the center line of the pool to the deep end.**

Note: The embossed side and/or the printed side of the liner will be the water side.

18

STRETCH LINER



Work in both directions from the point where the liner is overhanging. Unfold liner, drape over the top rail and down the sides. The liner should be 6" to 12" above the pool floor in the center ONLY. Remember that the center section of the liner must be positioned at the center line of the pool. The bottom edge seam of the liner should be inside the pool about 12 inches from the top rails. Correct any bunching or pleating conditions in the liner wall. Inspect liner for open seams. If any are found, return liner to dealer for prompt replacement.

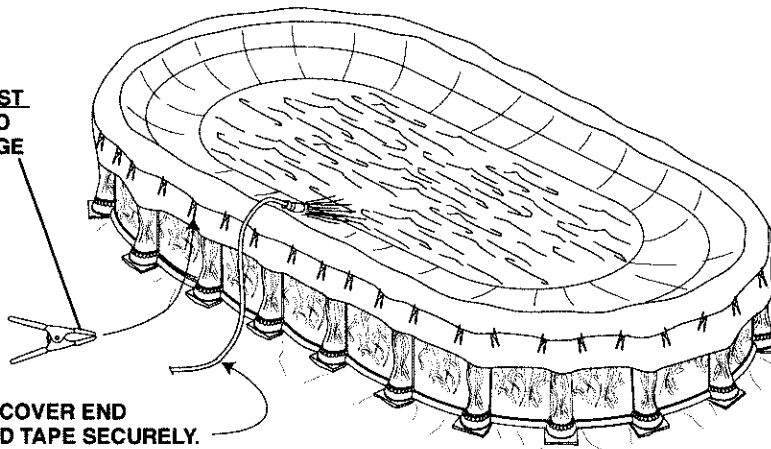
NOTE: Because this is a special extra-tall liner made specifically for Renaissance pools, there will be more than the normal amount of excess material after stretching the liner to fit the pool.

19

BEGIN FILLING POOL

3" SPRING CLAMP - MUST HAVE PLASTIC TIPS TO PREVENT LINER DAMAGE

QTY. OF CLAMPS REQUIRED:
 (40) 32' x 16'
 (44) 34' x 18'
 (52) 41' x 21'



GARDEN HOSE - COVER END WITH A SOCK AND TAPE SECURELY.

With the liner in position, hold in place by attaching two 3" spring clamps on the underside of each top rail. Carefully cover the end of a garden hose with a sock, tape securely as shown, and place it in the pool to begin filling. As the pool fills, the liner will stretch as the water begins to cover the bottom. At this time, check the sidewall for extreme tautness. **Spring clamps do not self-release.** Any area that feels too tight should be relieved by releasing the clamp(s), slowly allowing the liner to feed back into the pool until the desired tautness is achieved. Re-clamp as you proceed around the pool checking and re-clamping as required. **Remember that you are monitoring a minimum tightness of liner over the rail that will control the liner seating itself against the pool floor and up the side without wrinkling.** Continue monitoring the liner tension as the water is approaching and covering the cove area of the pool. **DO NOT LEAVE THE POOL UNATTENDED WHEN FILLING.**

CONTINUED ON NEXT PAGE

19 CON'T - BEGIN FILLING POOL

Be sure the liner is evenly distributed over the rail without any bunching or pleating. If this occurs, correct as you are adjusting the liner tension. To correct, grasp the liner wall nearest the wrinkled area. Pull and lift the liner wall just enough to stretch out wrinkles or pleats. It is easier if you wait until there is 1 to 2 inches of water over the wrinkled area before you try to remove it. This allows the weight of the water to hold the liner flat on the ground, keeping out wrinkles after you remove them. Pull any excess liner over the rail and reclamp in position so that a minimum tautness prevents further wrinkling. Double check around the pool so that you have an even tension on the liner wall down to the liner floor. Do not attempt to lift and pull the liner with more than 4 inches of water in the wrinkled area. Damage to the liner may occur.

When the water is approximately 6 inches up the metal wall and covering the cove, there should be just barely enough tension on the liner to control a virtually wrinkle-free installation.

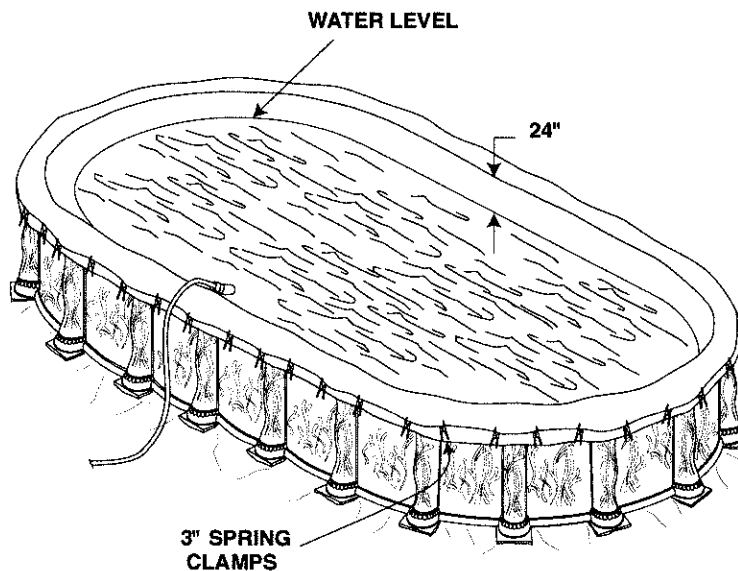
Filling Deep Excavated Pools (20 Mil or thicker Stretch-in liners only):

It is important to remember that the floor of the liner (not the liner wall) must stretch into the excavated area. The bottom edge seam should be located in the cove area all the way around the pool when the pool is full of water. Stretch the liner properly or you will end up with the bottom edge seam somewhere on the bottom of the pool and not enough liner wall to go over the steel wall to complete the installation. When this happens, you may think you've received the wrong liner, when in fact the liner was improperly stretched into place. **Remember that you are monitoring a minimum tightness of liner over the rail that will control the liner seating itself against the pool floor and up the side without wrinkling.**

Cleaning Liner: If you decide to drain the pool to clean the liner, or for any reason, you must leave at least 1 foot (12 inches) of water, measured from ground level up the metal sidewall, in the pool. Failure to comply with this warning may void the warranty.

Liner Replacement: If you decide to replace the liner, you must have the replacement liner at the pool site and ready for immediate installation. **DO NOT** leave the pool standing without a liner. Do not attempt to install the replacement liner on a windy day. Severe wind damage to your pool may result.

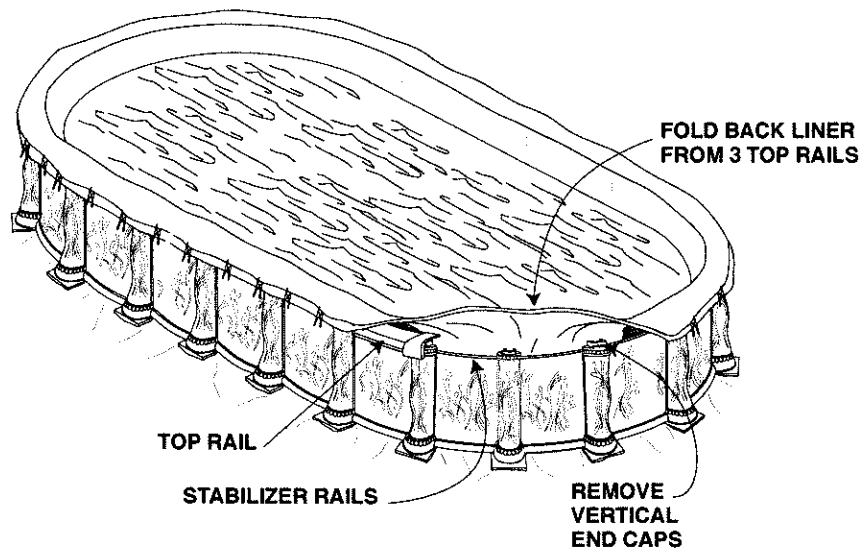
20 CONTINUE FILLING POOL



Continue filling pool. **Never allow liner to fall back into pool.** Water between the liner and wall can cause pool failure. When pool has approximately 24 inches of water, stop filling. Do not resume until Steps 21, 22, and 25 are completed. **CAUTION:** Do not cut any openings into liner at this time.

21

PROCEDURE TO ATTACH LINER



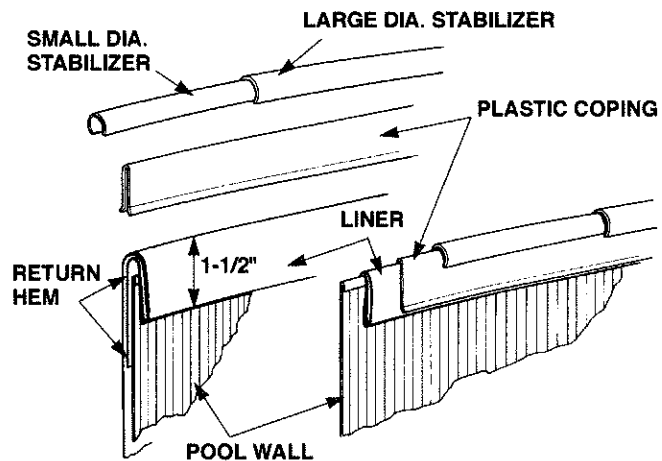
With the help of two or three people, raise and hold the liner up from any three top rail sections. Remove three top rails, two vertical end caps and stabilizer rails. REMEMBER, NEVER ALLOW LINER TO FALL BACK INTO POOL.

22

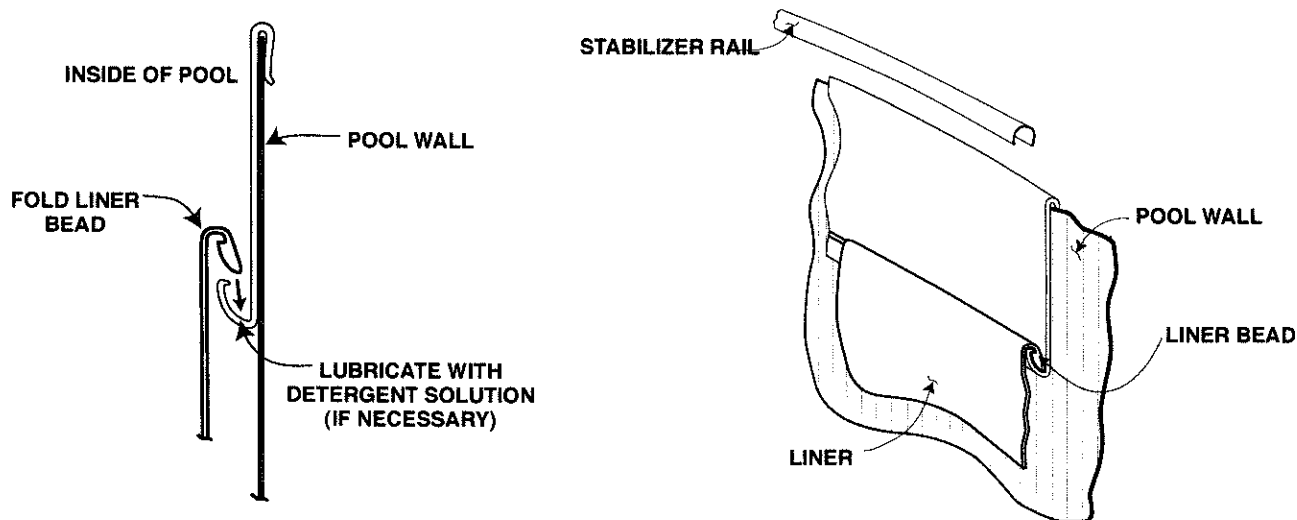
INSTALL COPING AND STABILIZER RAILS

Make a return hem as illustrated. DO NOT cut off excess liner material as the liner will "Slip" from under the plastic coping, causing liner to fall back into the pool. Smooth liner against wall and secure to top of wall with plastic coping. Place stabilizer rails over coping, alternately telescoping small diameter into large diameter about 6 inches as before. One large diameter stabilizer rail fits between each pair of side supports. They DO NOT telescope.

NOTE: At the skimmer and return openings only, the return hem must be cut away between the steel side wall and the liner side wall. (This will insure that there is only one thickness of liner material covering the skimmer and return openings to affect a positive gasket seal). DO NOT CUT the liner side wall at any other location. Replace all parts removed in Step 21. Repeat the same steps for the entire pool perimeter, working just three top rail sections at a time. DO NOT ALLOW LINER TO FALL BACK INTO POOL. WHEN FINISHED, PROCEED DIRECTLY TO STEP 25.



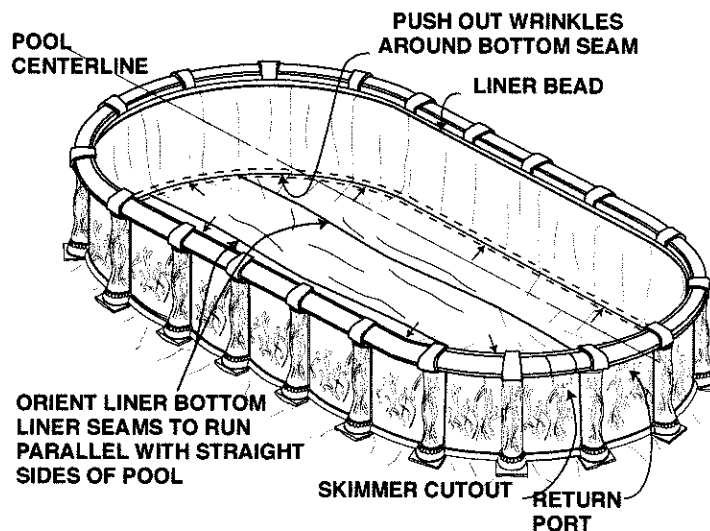
INSTALL E-Z CLIP LINER



E-Z CLIP LINER & RECEIVER CROSS-SECTION

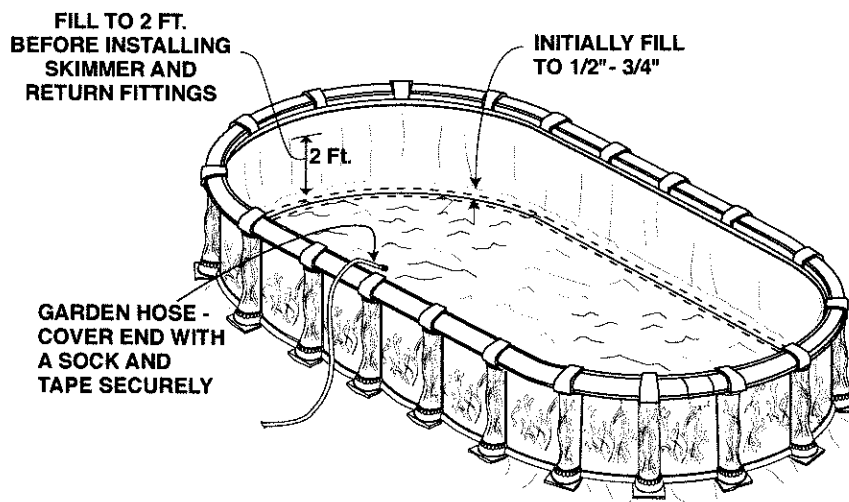
To ensure a virtually wrinkle-free installation, it is recommended that you install the liner on a sunny day with temperatures above 60° F (16° C). The sun will warm and relax the liner material, making any wrinkles easier to remove. Installation will also be easier if you have the help of at least one other person.

Important: Before installing the liner, be sure that its item number matches the item number printed on the liner carton. Open the liner carton being careful not to damage the liner with any sharp tools. The item number is located on the wall side of the liner at the intersection of the side and bottom seams. Place the liner in the center of the pool area and unfold it completely. Rotate the liner so that the sidewall seam is located at the pool's centerline as shown. The bottom seams must run parallel (same direction) with the straight sides of the pool. Position the liner's center bottom section (not the bottom seam) at the center line of the pool as shown above. Working inside the pool, grasp the beaded edge of the liner in both hands. Fold the bead over and push it into the receiver's bead channel as shown. If the liner bead is difficult to install, lubricate the receiver's bead channel by coating it lightly with a liquid detergent solution. Make sure that the bead is completely seated in the channel with the receiver and liner notches hooked together. Let the liner drape over the edge of the bead channel. Work your way around the pool until the beads entire length is completely installed in the receiver. From inside or outside the pool (**See Caution below**), gently distribute loose liner material evenly across the pool floor, making sure that the wall portion of the liner hangs straight without any diagonal folds. Push excess liner material out to the pool wall using a soft broom, or construct a tool by wrapping the rounded end of a broomstick with rags and duct tape. This will help to flatten any wrinkles on the pool floor. **Do not adjust or contact the liner with any object that could possibly puncture or damage it.**



CAUTION: You will not leave footprints by working inside the pool if the pool floor consists of hard compacted earth. However, if your pool floor is made from loose earth or sand, working inside the pool to remove wrinkles could create depressions in the pool bottom. **If your pool floor is soft, work from outside the pool when possible.**

FILL POOL - E-Z CLIP LINER



Before you begin filling the pool with water, run your fingers around the liner at the receiver channel to check that the bead is completely seated and hooked. Correct any areas where the liner is not securely hooked into the receiver.

1. Initially fill the pool with water to a depth of no more than 1/2 to 3/4 inches (1,3-2cm).
2. If your pool has a firm bottom, enter the pool with soft-soled shoes (See **CAUTION** from Step 23). Starting at the center and working outward, drag your feet on the liner to pull out any remaining wrinkles.
3. When you are finished removing wrinkles, continue filling the pool to a 2 ft. (61cm) level as shown. As the pool fills, watch the liner bead to verify that it remains in the receiver channel. If the liner bead comes out of the bead channel, immediately stop filling and reinstall the liner bead.

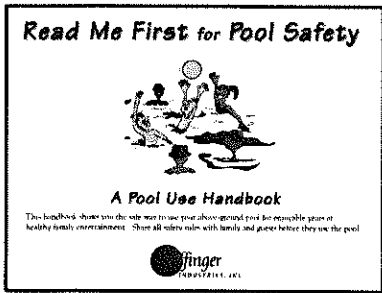
NOTE: To keep liner stretching consistent, do not cut any openings in the liner or install the skimmer or return fittings until there is a **MINIMUM OF 2 FT.** of water in the pool. Uneven liner stretching could effect the appearance of your liner pattern.

4. Install the skimmer and return fittings at this time. Follow the instructions provided with those items. Connect your pump and filter hoses to the skimmer and return ports. Tighten all hoses securely.
5. Finish filling the pool to the correct level as indicated on your skimmer faceplate while continuing to monitor the liner bead. When finished filling, start the pump and check for leakage. Correct any leaks found.

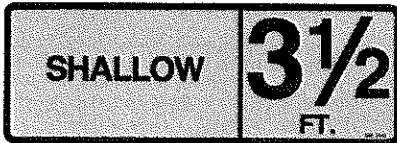
Cleaning Liner: If you decide to drain the pool to clean the liner, or for any other reason, you must leave at least 1 foot (12 inches) of water in the pool, measured from ground level up the pool's sidewall. Failure to comply with this warning may void the liner warranty. Clean the liner with a mild detergent solution and water. **NEVER USE SOLVENTS OR ABRASIVE CLEANERS TO CLEAN THE LINER.**

Liner Replacement: If you decide to replace the liner, you must have the replacement liner at the pool site and ready for immediate installation. **DO NOT** leave the pool standing without a liner. Do not attempt to install the replacement liner on a windy day. Severe wind damage to your pool may result.

READ ME FIRST FOR POOL SAFETY BOOKLET • WARNINGS • LABELS • SIGNS



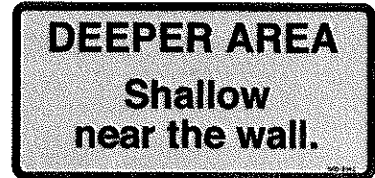
48" TALL POOLS ONLY



52" TALL POOLS ONLY



FOR OPTIONAL DEEP SWIM AREAS ONLY



With pool completely assembled, install skimmer, filter, etc. using the instructions provided with those units. Finish filling pool to the correct level as indicated on your skimmer face plate.

Now that you have installed your new pool, HII would like you to know we are very concerned about your family's safety; so we have provided an assortment of safety literature with your new pool, but it is also a big responsibility. Please take the time to read, and understand all the safety literature provided.

We have also provided you with an assortment of signs and decals. Safety decals and caution information provided with your pool have been endorsed by the U.S. Consumer Product Safety Commission. **It is mandatory that the pool owner and installer follow the installation and use directions for all provided safety signs and decals. We have also provided you with a booklet titled "Read Me First for Pool Safety", which will give you a detailed description of where and how to apply your safety decals and signs.** Remember, warnings only help if you put them up. Please help us protect the good health and safety of your family and friends! Read the "Read Me First for Pool Safety", book through completely and follow the directions in it. Don't forget to use a marking pen to write the number of a rescue agency on the signs and on the back of your "Read Me First" booklet.

If any of your safety literature, signs or decals become lost or damaged; you can get more free of charge by contacting HII's Customer Service Department: HII • 315 No. Sebastian St. • West Helena, AR 72390 or by calling toll free: (877) 228-4586.

Important! Above-ground pools are designed for swimming and wading only. **Do not Dive or Jump!** Misuse of your pool may result in crippling injury and/or other dangers to life and health. Do not use slides, diving boards, or any other platform or object which can be used for improper pool entry. Use only an above-ground swimming pool ladder or entry system to enter or exit your pool. Never attempt to swim or reach behind ladders or any other pool entry system. It is the pool owner's responsibility to secure the pool against unauthorized, unsupervised or unintentional entry. **It is also the pool owner's responsibility to warn all pool users of the hazards of diving into shallow water; paralyzing injury may result. Juveniles must be supervised at all times by a responsible adult as directed by the U.S. Consumer Product Safety Commission.** Always obey all safety rules. Remember, pool safety is everybody's responsibility.

Change of Design: The manufacturer (HII) expressly reserves the right to change or modify the design and construction of any product in due course of our manufacturing procedures, without incurring any obligation or liability to furnish or install such changes or modifications on products previously or subsequently sold.