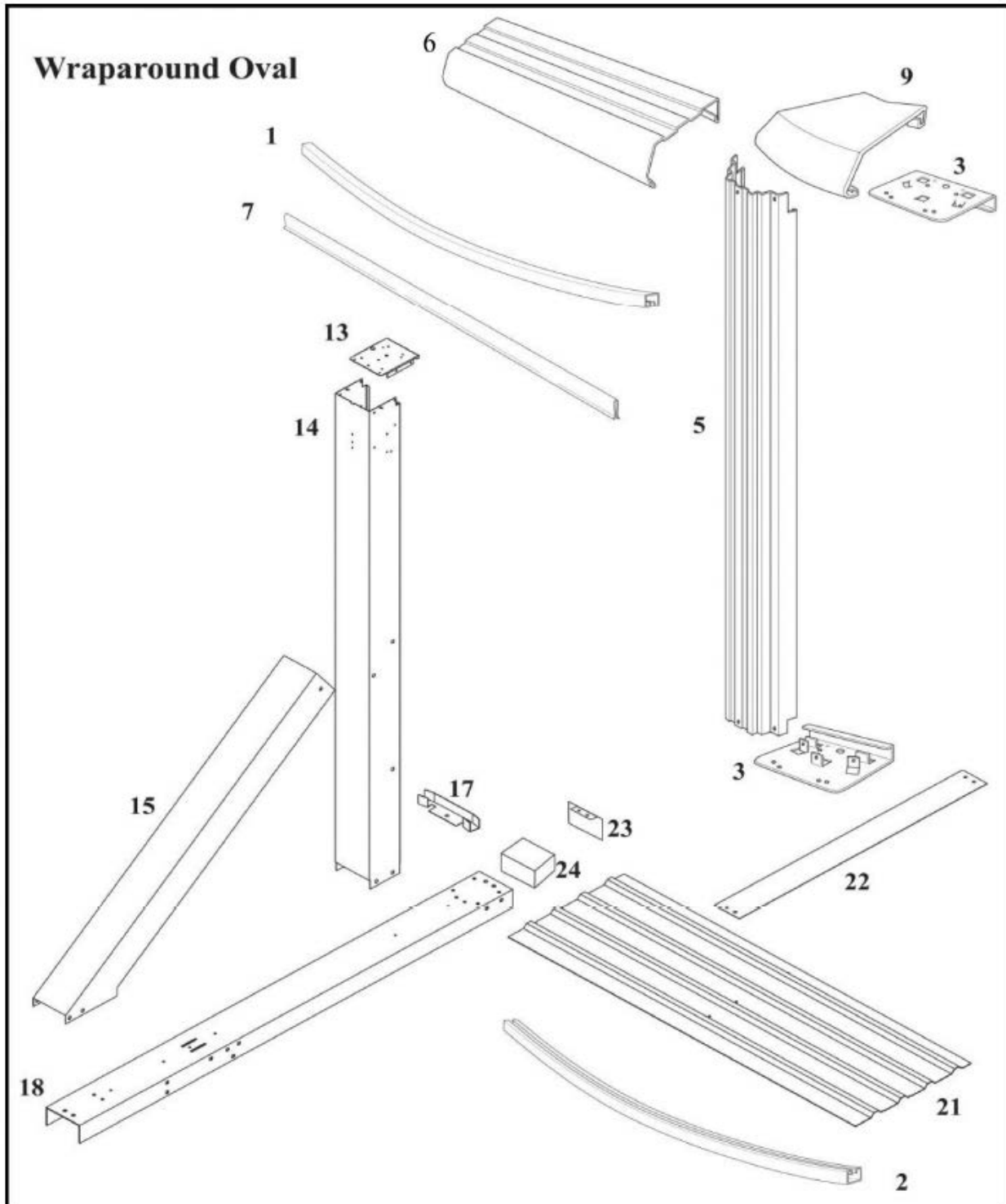


Captiva Above Ground Pools Parts Breakdown - Oval



<u>Key #</u>	<u>Part Description</u>
1	Middle Stabilizer
1	Center Stabilizer
1	Corner Stabilizer

1	Inner Stabilizer
2	Bottom Rail
2	Bottom Rail – Straight Side
2	Bottom Rail – Curved End
3	Top / Bottom Plate
5	Upright
6	Top Rail
6	Top Rail – Straight Side
7	Liner Coping
9	Top Cover 1 Pc Clip On
13	Top Plate
14	Wrap Upright Oval
15	Wrap Strut
17	Wall Rail Connector, Straight Side Bottom
18	Strap Over Channel
21	Pressure Plate
22	Strap Section
23	Oval Channel End Cap
24	Oval Channel Foam Block
---	Hardware
---	Hardware Strut – 4 Pack
---	Wall Bar